

COOPER PRESSURE BALANCED SHOWER VALVE WITH 3-WAY DIVERTER

SKU: 940966

Code: SH433224, SH433225, SH433226



FEATURES

Features: Pressure-Balanced
Material: Brass
Width: 8-1/4"
Height: 9-3/4"
Depth: 5"
Base Plate Height: 8-1/4"
Mounting Hardware Included: Yes
Handle Type: Lever
Installation Type: Wall Mount
Number of Outlets: 3
Base Plate Width: 8-1/4"
Valve Trim Width: 8-1/4"
Valve Trim Height: 8-1/4"
Water Supplies Included: No
Diverter Included: Yes
Diverter Outlets: 3

ASME A112.18.1/CSA B125.1

REVISED 3/17/2023

COOPER PRESSURE BALANCED SHOWER VALVE WITH 3-WAY DIVERTER

SKU: 940966

Code: SH433224, SH433225, SH433226

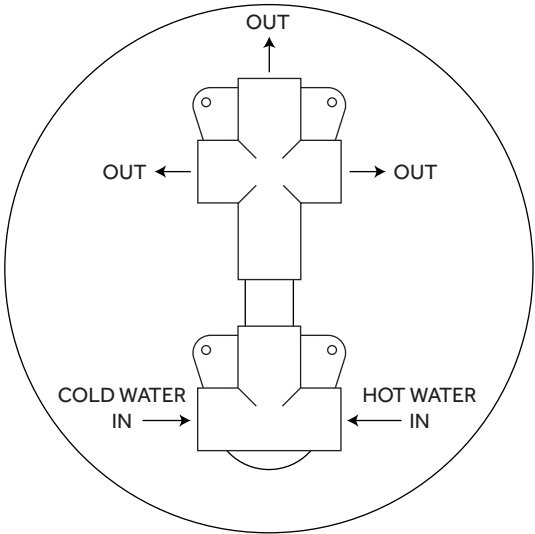
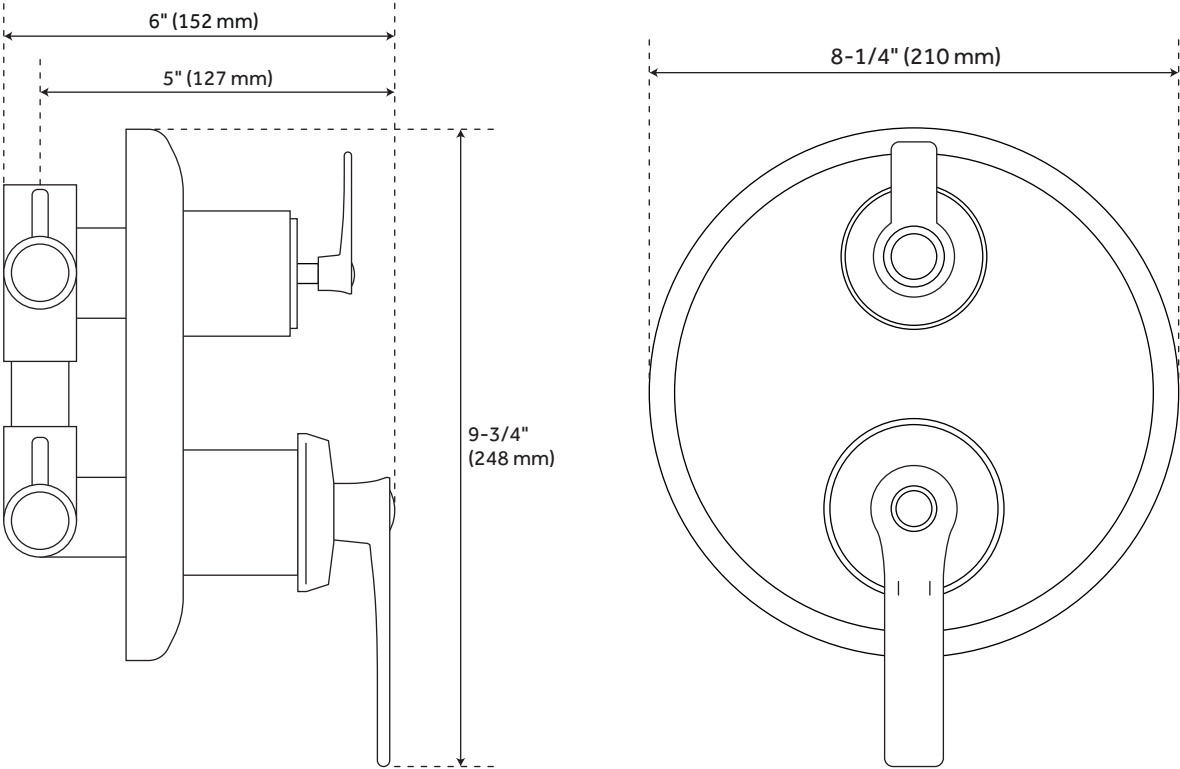


ADDITIONAL FEATURES

REVISED 3/17/2023

COOPER PRESSURE BALANCED SHOWER VALVE WITH 3-WAY DIVERTER

SKU: 940966



All dimensions and specifications are nominal and may vary. Use actual products for accuracy in critical situations.