

COOPER SINGLE-HOLE BATHROOM FAUCET

SKU: 940974

Code: SH433247, SH433248



FEATURES

Material: Metal construction for strength and durability

Faucet Centers: Single-Hole

Installation Type: Single-Hole

Flow Rate: 1.2 gpm (4.5 L/min) @ 60 psi

Cartridge Type: Ceramic Disc

Swivel Spout: No

Drain Type: Metal push-pop with overflow

ASME A112.18.1/CSA B125.1, NSF/ANSI 372, NSF/ANSI 61, NSF/ANSI/CAN 61, NSF/ANSI/CAN 61-9:Q≤1, CEC Listed, Massachusetts Accepted, LISTED ID: SH449701*



ADDITIONAL FEATURES

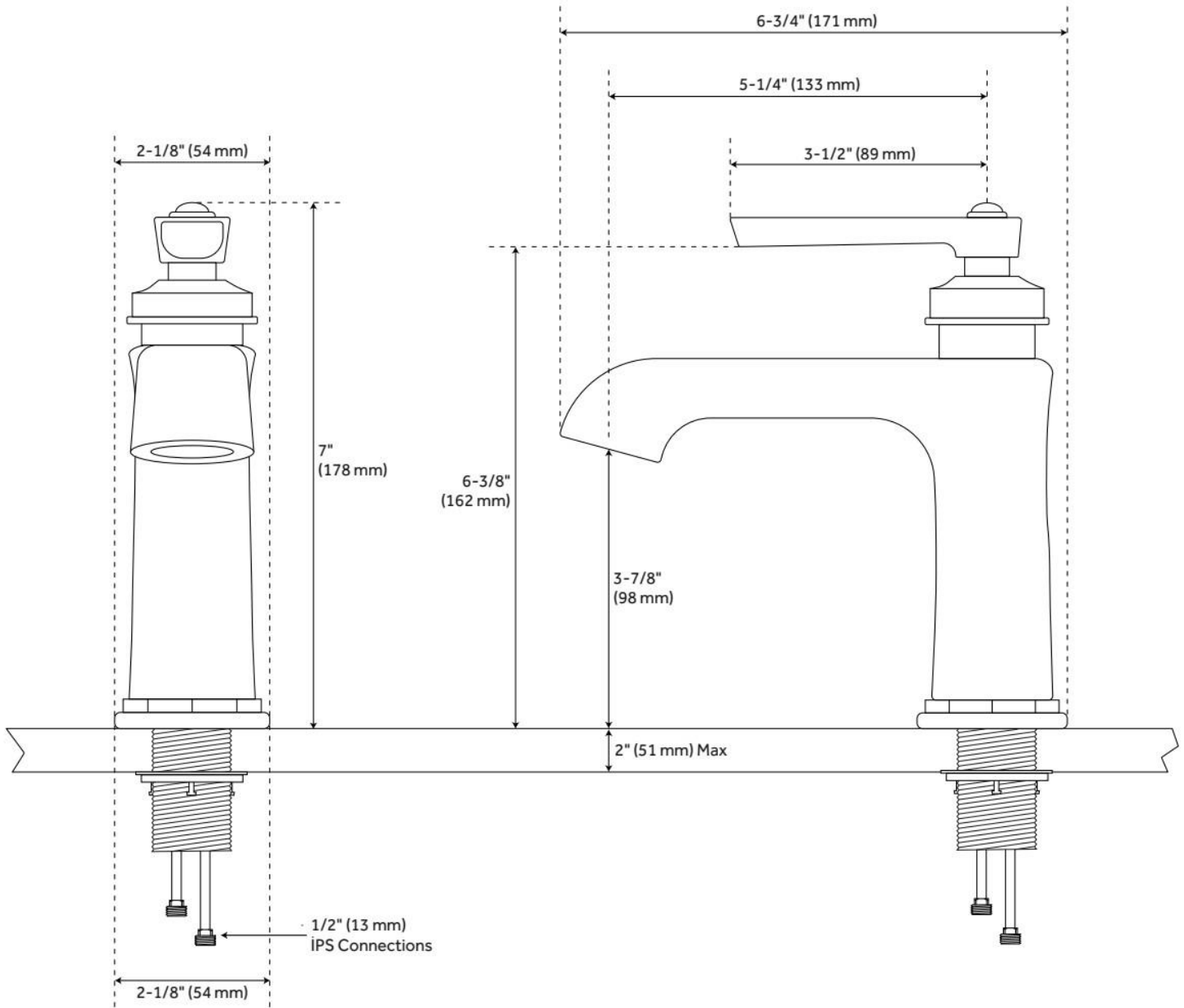
- Drain is compatible with sinks that have an overflow hole.

REVISED 11/11/2024

COOPER SINGLE-HOLE BATHROOM FAUCET

SKU: 940974

Code: SH433247, SH433248



REVISED 11/11/2024

COOPER SINGLE-HOLE BATHROOM FAUCET

SKU: 940974

Code: SH433247, SH433248



REVISED 11/11/2024