

COOPER TUB AND SHOWER SET WITH RAINFALL SHOWER

SKU: 940984

Code: SH433272, SH433273, SH433275, SH433276, SH433277, SH433278, SH433279, SH433280, SH433281, SH433282, SH433283



FEATURES

Material: Brass

Hand Shower Flow Rate: 1.8 gpm (6.8 L/min) @ 80 psi

Diverter Outlets: 2

Cartridge Type: Ceramic Disc

ASME A112.18.1/CSA B125.1, ASSE 1016 Type P, LISTED ID: 515401, 525446, 525449, 525450, 525451, 525450, 515402, 525447, 515398, 515399, 515397, 525448, 515395, 515394, 515396, 515403, 515404, 515405



ADDITIONAL FEATURES

- Shower system includes wall-mount rainfall shower head, tub spout, and pressure balance valve with diverter and lever handle.
- 2-way in-wall diverter controls water flow between tub spout and shower head.

REVISED 6/3/2024

COOPER PRESSURE BALANCED SHOWER VALVE WITH DIVERTER

SKU: 940964

Code: SH433218, SH433219, SH433220



FEATURES

Material: Brass

Diverter Outlets: 2

Cartridge Type: Ceramic Disc

ASME A112.18.1/CSA B125.1, ASSE 1016 Type P, LISTED ID: 525446, 525447, 525448



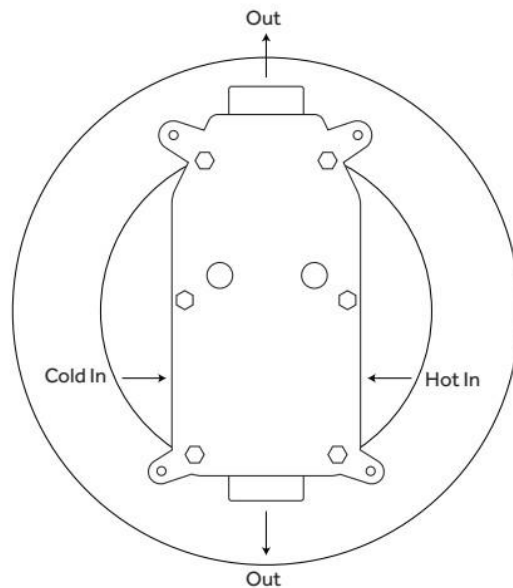
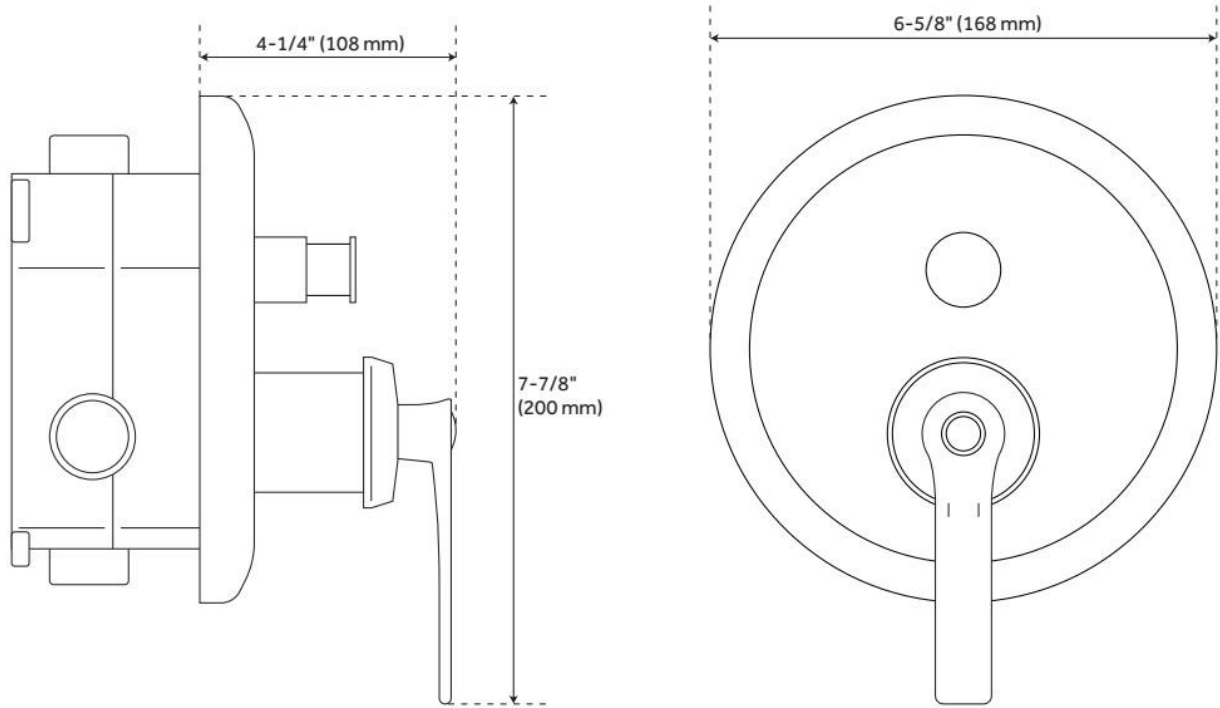
ADDITIONAL FEATURES

REVISED 5/24/2024

COOPER PRESSURE BALANCED SHOWER VALVE WITH DIVERTER

SKU: 940964

Code: SH433218, SH433219, SH433220



REVISED 5/24/2024

BOSTONIAN RAINFALL NOZZLE SHOWER HEAD

SKU: 926392

Code: SH250950, SH250941, SH250942, SH250953, SH250944, SH250947, SH250954, SH250946, SH482193, SH250949, SH250951, SH482194, SH250948, SH250956, SH482191, SH250945, SH482192, SH250943, SH250940, SH250958, SH250955, SH250959



FEATURES

Material: Brass

LISTED ID: 515394, 515395, 515396, 564662, 515397, 564663, 515398, 564664, 515399, 564665, 515401, 515402, 515403, 515404, 515405



ADDITIONAL FEATURES

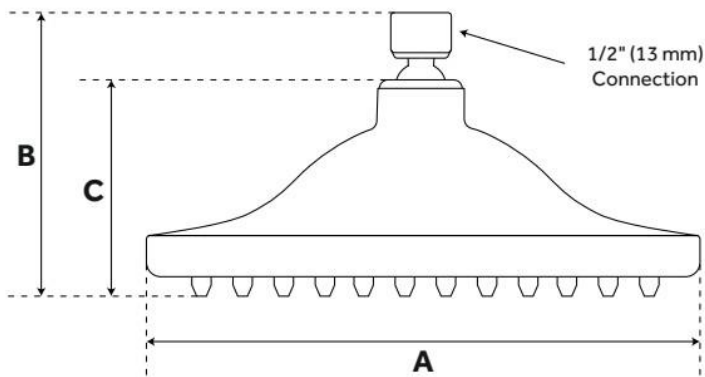
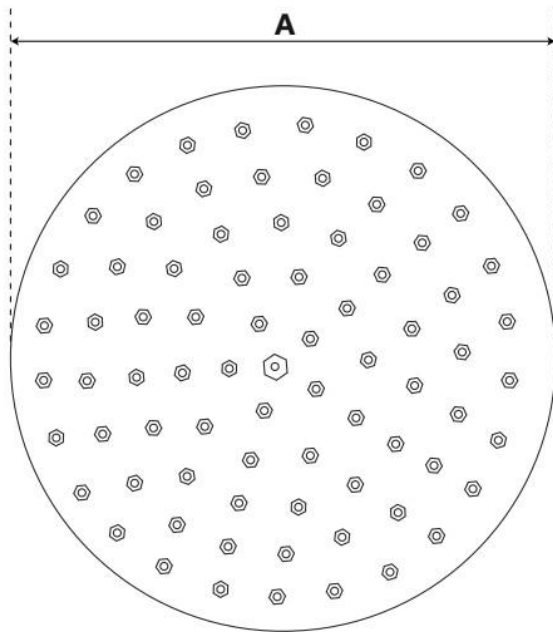
Can be installed on a ceiling-mount or wall mount shower arm. 6", 8" and 10" shower heads are adjustable and feature a swivel connection. 12" shower head is stationary and does not swivel.

REVISED 5/24/2024

BOSTONIAN RAINFALL NOZZLE SHOWER HEAD

SKU: 926392

Code: SH250950, SH250941, SH250942, SH250953, SH250944, SH250947, SH250954, SH250946, SH482193, SH250949, SH250951, SH482194, SH250948, SH250956, SH482191, SH250945, SH482192, SH250943, SH250940, SH250958, SH250955, SH250959



Reference A	Reference B	Reference C
5-1/4" (133 mm)	3" (76 mm)	2" (51 mm)
7-3/4" (197 mm)	3-1/2" (89 mm)	2-1/2" (64 mm)
10" (254 mm)	3-1/2" (89 mm)	3" (76 mm)
12" (305 mm)	4-1/4" (108 mm)	3-1/4" (83 mm)

REVISED 5/24/2024

LOW PATTERN SURE GRIP FLANGE

SKU: 902337

Code: SH272, SH271, SH484081, SH484082, SH485508, SH485507

FEATURES



WaterSense by IAPMO, LISTED ID: N/A



ADDITIONAL FEATURES

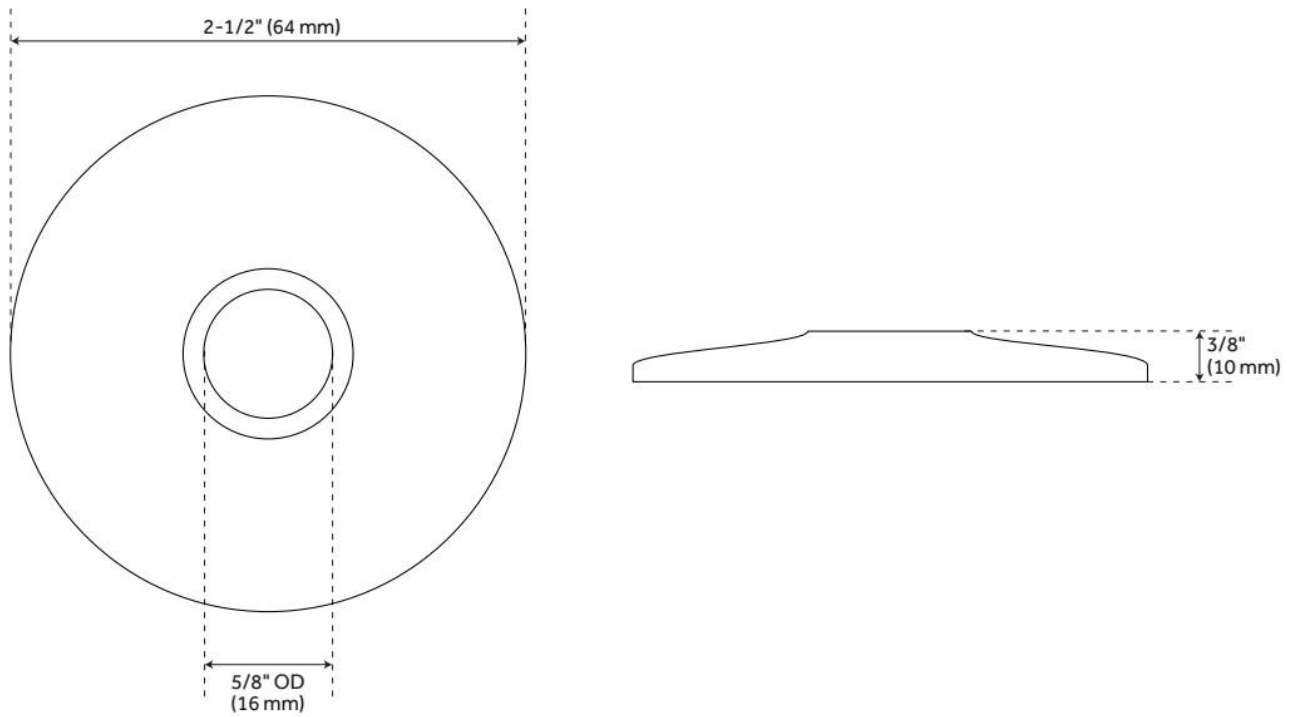
- Choose from 5/8" OD or 1/2" IPS.
- For use with standard shower arms, select 1/2".

REVISED 5/24/2024

LOW PATTERN SURE GRIP FLANGE

SKU: 902337

Code: SH272, SH271, SH484081, SH484082, SH485508, SH485507

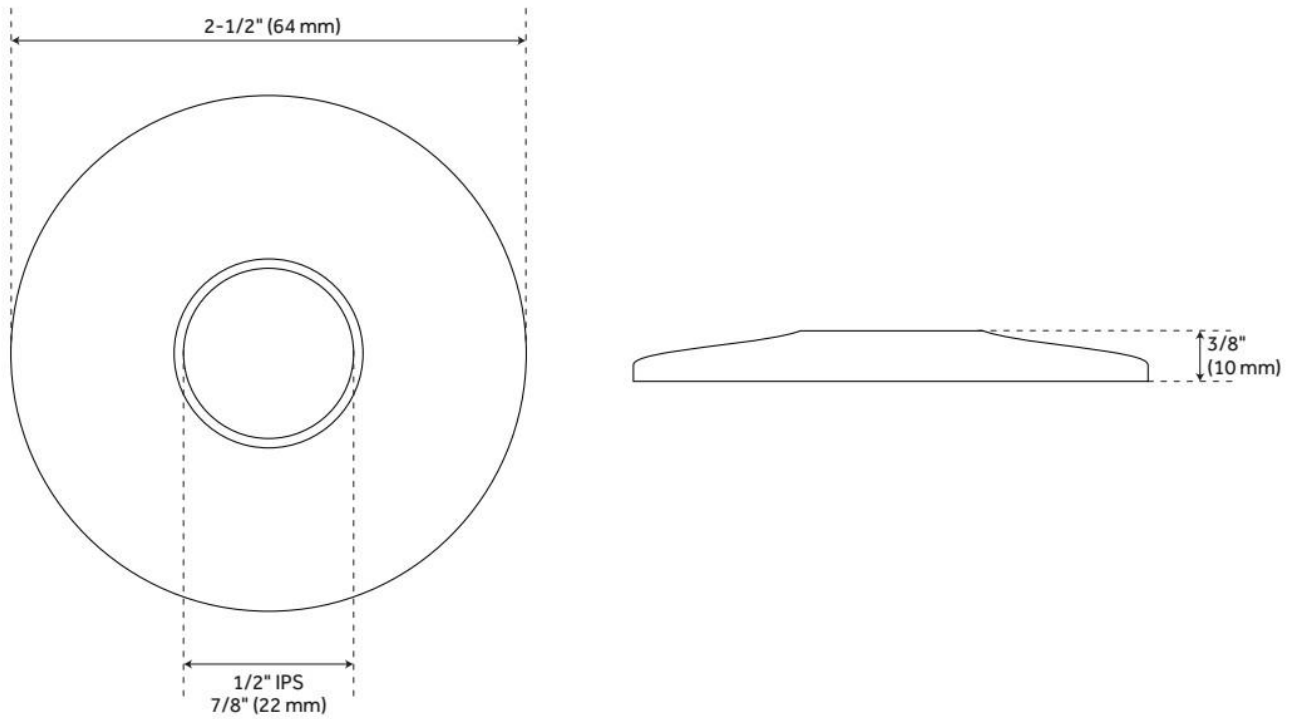


REVISED 5/24/2024

LOW PATTERN SURE GRIP FLANGE

SKU: 902337

Code: SH272, SH271, SH484081, SH484082, SH485508, SH485507



REVISED 5/24/2024

COOPER TUB SPOUT

SKU: 940970

Code: SH433236, SH433237, SH433238

FEATURES

Material: Metal

Faucet Centers: Single-Hole



IAPMO, ASME A112.18.1/CSA B125.1, LISTED ID: 525449, 525450, 525451, 525450



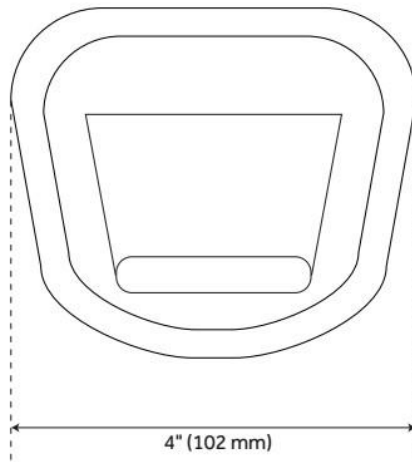
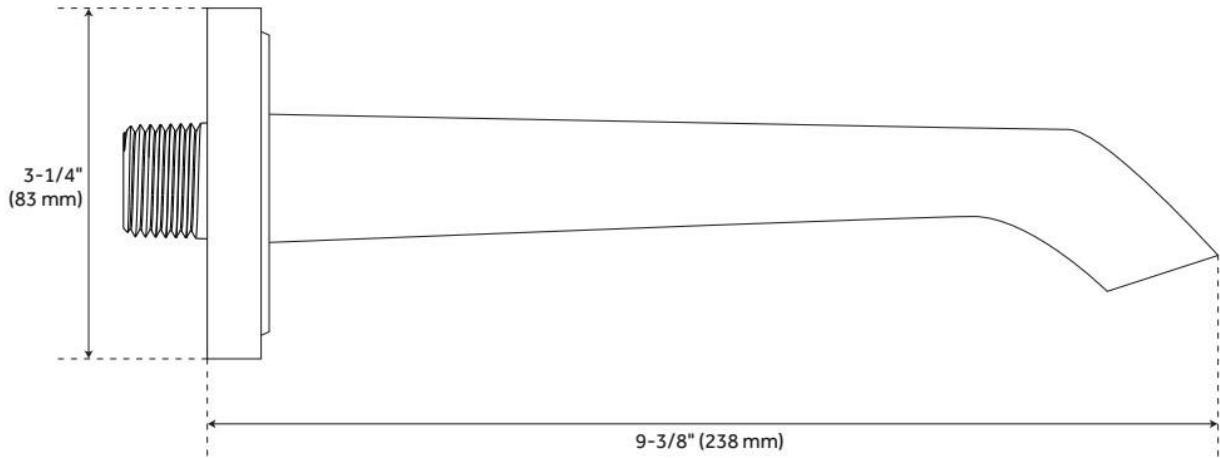
ADDITIONAL FEATURES

REVISED 5/31/2024

COOPER TUB SPOUT

SKU: 940970

Code: SH433236, SH433237, SH433238



REVISED 5/31/2024