

33" BRUMFIELD FIRECLAY FARMHOUSE SINK - WHITE

SKU: 941321-33

Code: SHFBR1B3319A



FEATURES

Length: 33-5/16"
Width: 18-5/8"
Height: 10-1/8"
Sink Shape: Rectangle
Number of Basins: 1
Sink Installation: Farmhouse
Product Color: White
Faucet Centers: No Faucet Hole
Basin Length: 31-5/8"
Basin Width: 17-3/8"
Basin Depth: 8-15/16"
Fits Drain Hole Size: 3-9/16"
Exterior Treatment: Smooth
Interior Treatment: Smooth
Drain Included: Optional
Faucet Included: No
Sink Material: Fireclay
Basin Configuration: Single
Apron Design: Smooth
Water Depth to Rim: 9-1/8"
Apron Front Rim Thickness: 5/8"

ASME A112.19.2/CSA B45.1

ASSE 1016 Type P/T



REVISED 3/31/2023

33" BRUMFIELD FIRECLAY FARMHOUSE SINK - WHITE

SKU: 941321-33

Code: SHFBR1B3319A



ADDITIONAL FEATURES

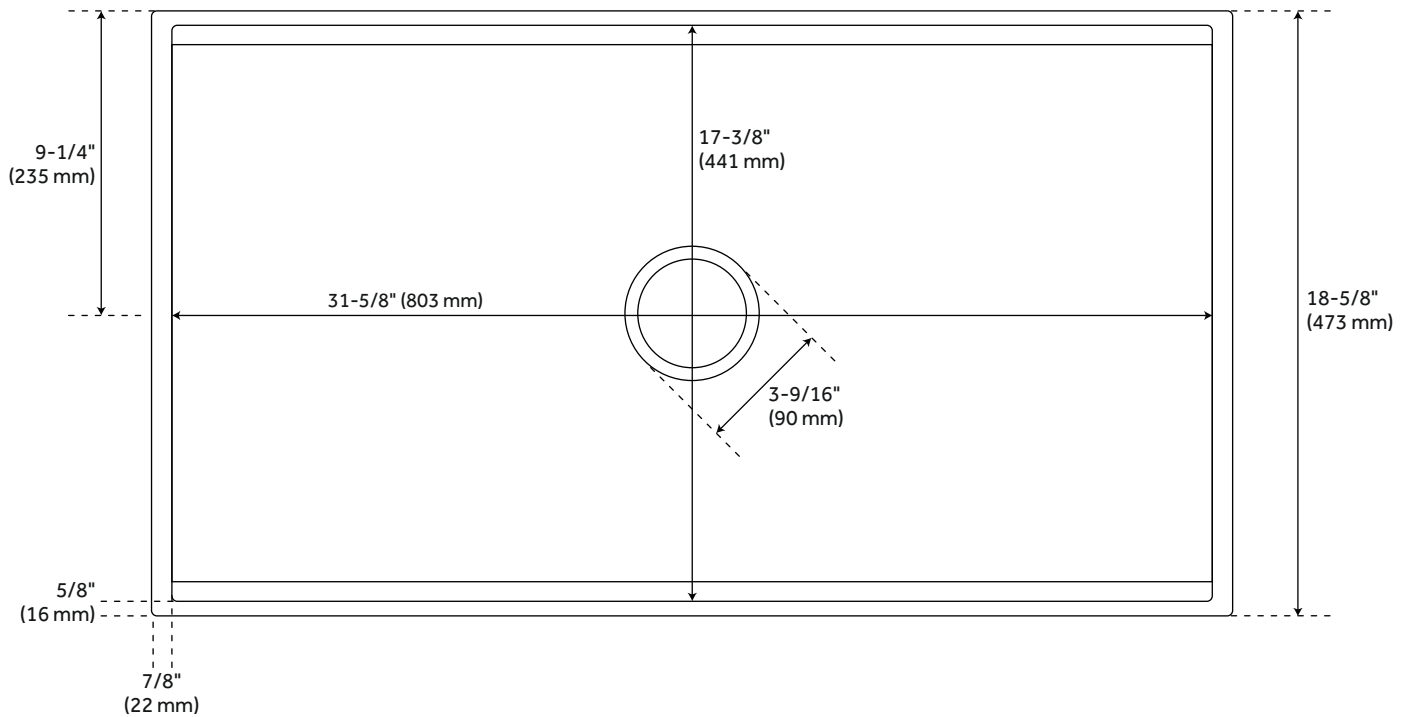
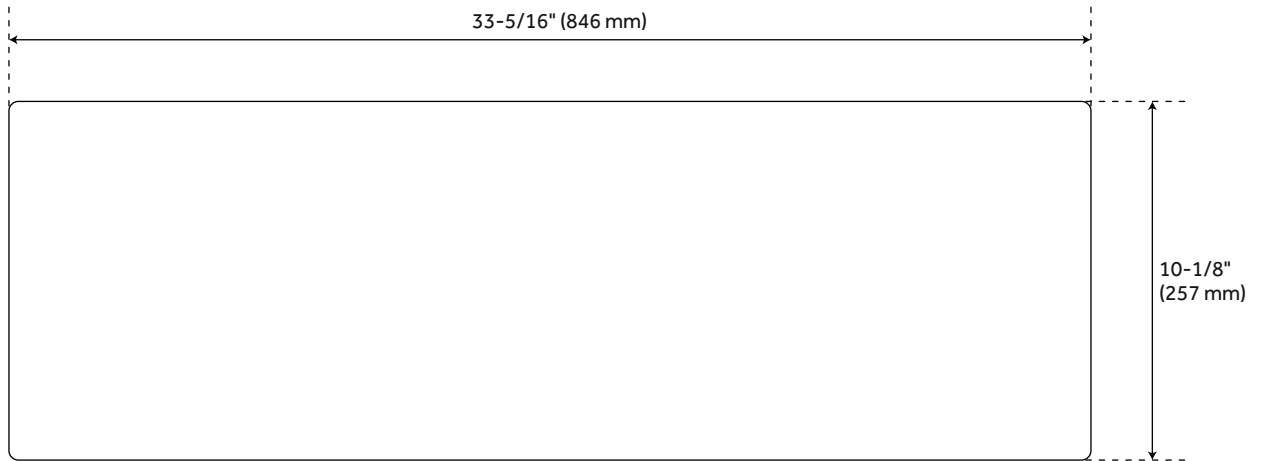
- Made of solid, heavy-duty fireclay.
- Thin wall design.
- Smooth, ripple-resistant surface.
- Sink grids provide protection and keep dishes elevated as they air dry.
- If purchasing drain separately, it must be able to accommodate a sink drain thickness of 1".
- All sink dimensions are ($\pm 1/2"$).

REVISED 3/31/2023

33" BRUMFIELD FIRECLAY FARMHOUSE SINK - WHITE

SKU: 941321-33

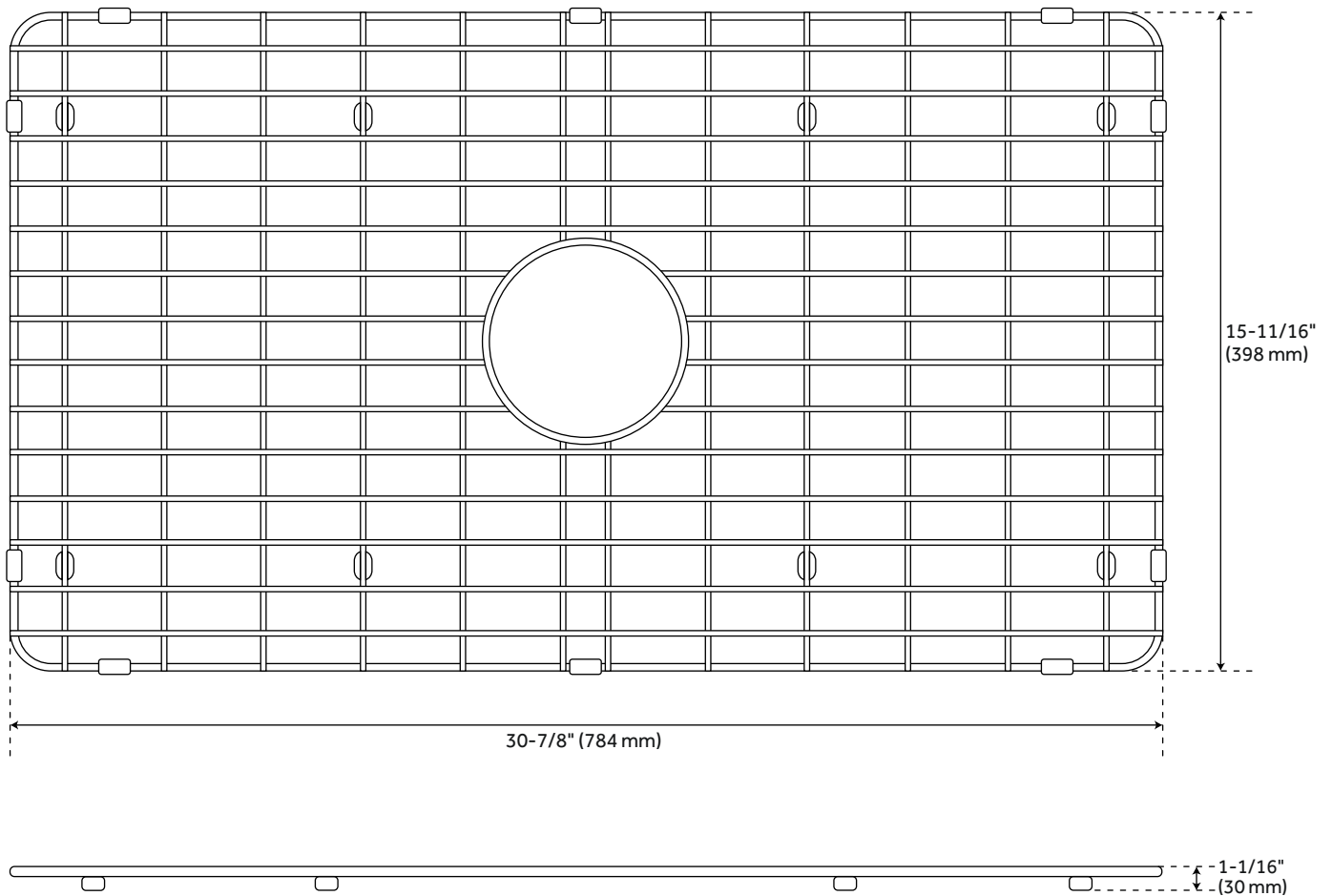
SHFBR1B3319A,SHG3115



All dimensions and specifications are nominal and may vary. Use actual products for accuracy in critical situations.

OPTIONAL GRID FOR 33" BRUMFIELD FIRECLAY FARMHOUSE SINK

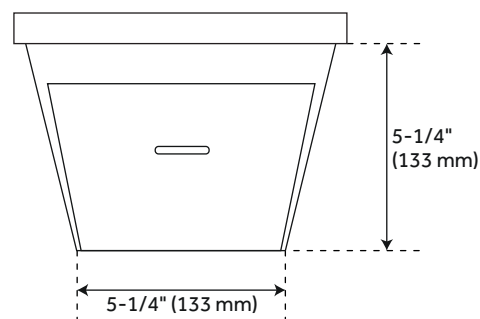
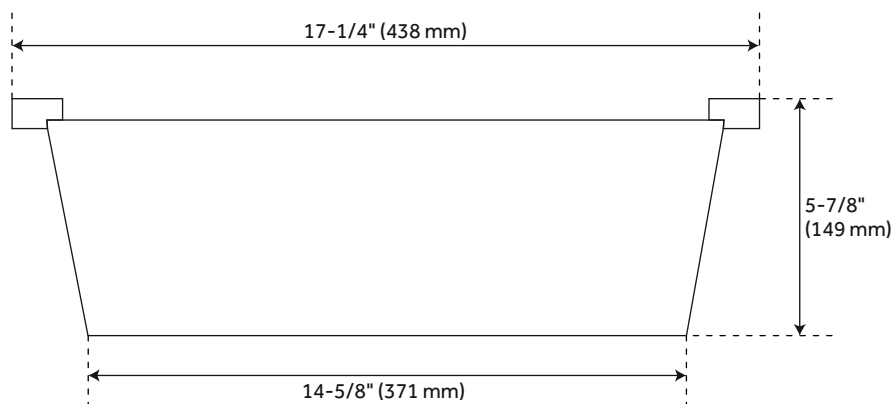
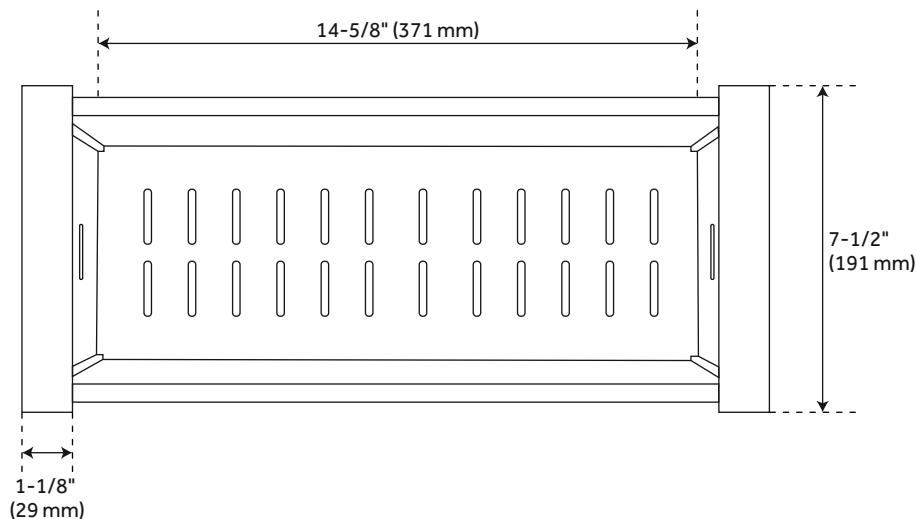
SKU: 941321-33
SHG3115



All dimensions and specifications are nominal and may vary. Use actual products for accuracy in critical situations.

OPTIONAL METAL COLANDER FOR BRUMFIELD FIRECLAY FARMHOUSE SINK

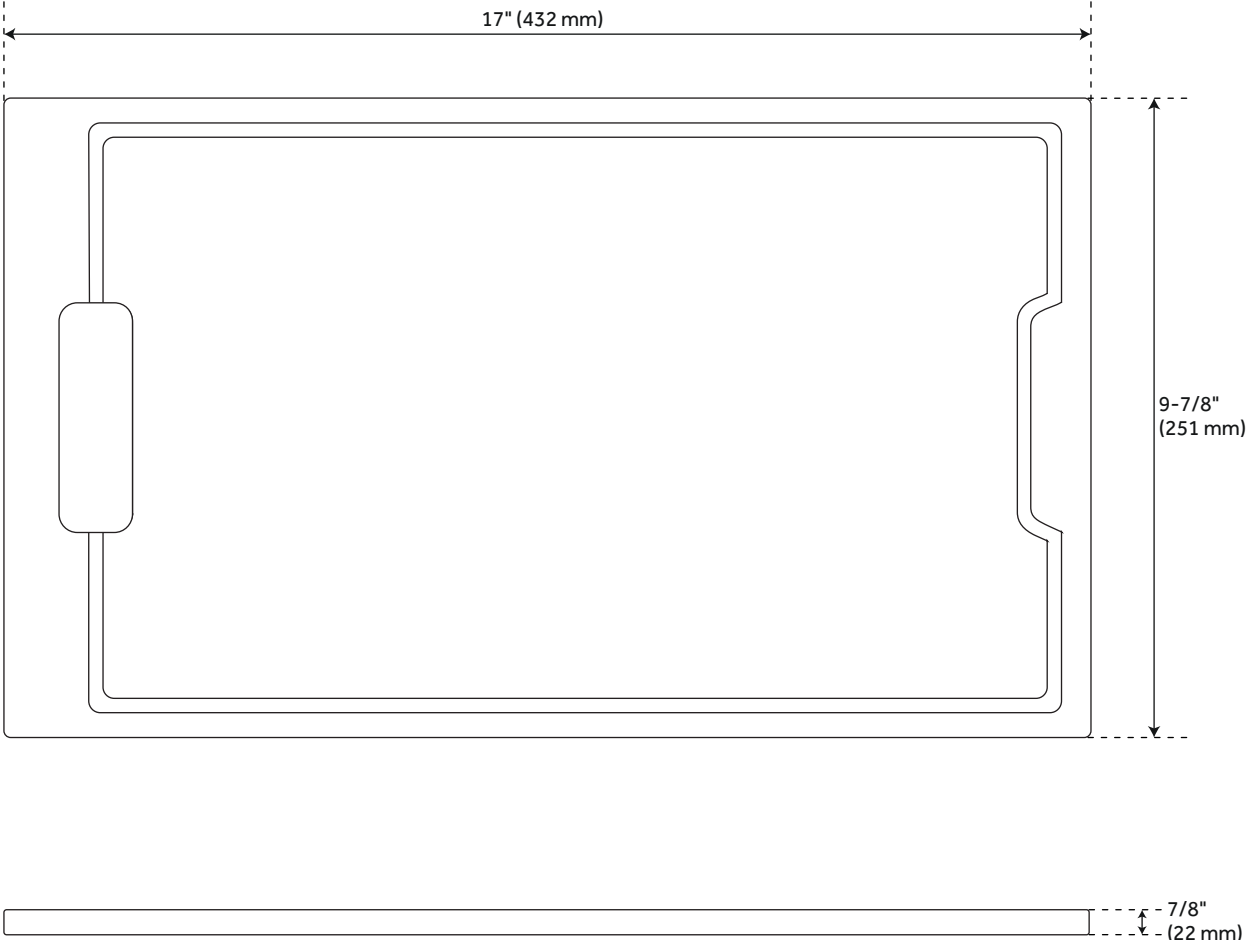
SKU: 941321-33
SHFMC100



All dimensions and specifications are nominal and may vary. Use actual products for accuracy in critical situations.

OPTIONAL WOOD CUTTING BOARD FOR BRUMFIELD FIRECLAY FARMHOUSE SINK

SKU: 941321-33
SHFCB100



All dimensions and specifications are nominal and may vary. Use actual products for accuracy in critical situations.