

CROSS HANDLE ANGLE STOP - 5/8" OD X 3/8" OD COMPRESSION

SKU: 941827

Code: SH204, SH204PB

FEATURES

Material: Brass

Fits Drain Hole Size: 5/8"



NSF/ANSI/CAN 61-9:Q≤1, LISTED ID: SH204**



ADDITIONAL FEATURES

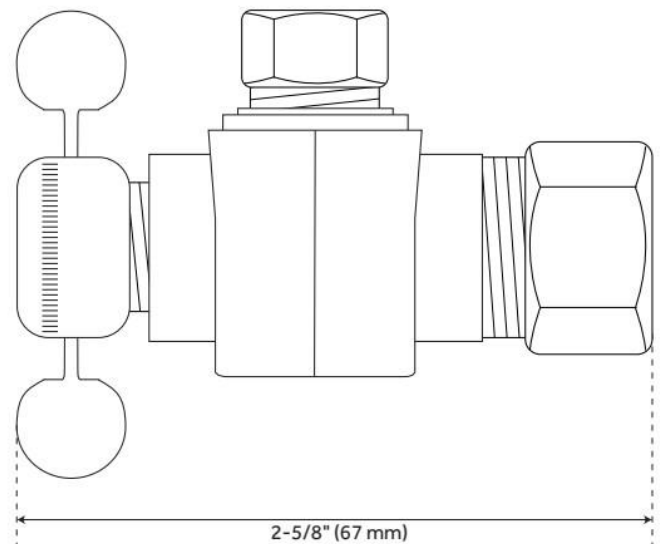
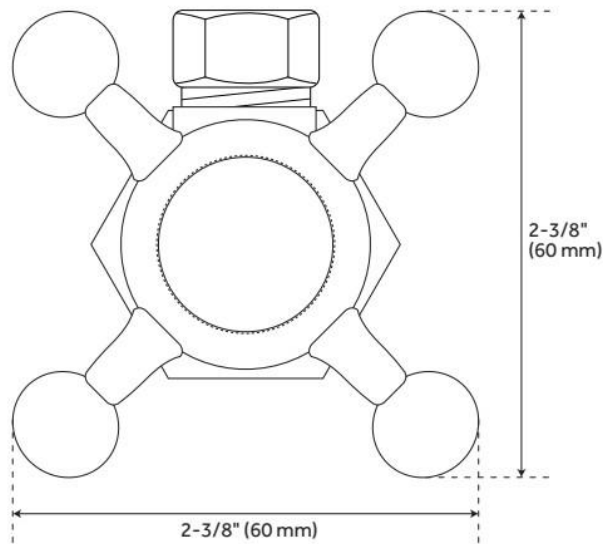
- Quarter-turn operation.
- Low lead compliant.
- UPC Certified.

REVISED 7/12/2024

CROSS HANDLE ANGLE STOP - 5/8" OD X 3/8" OD COMPRESSION

SKU: 941827

Code: SH204, SH204PB



REVISED 7/12/2024