

COOPER SHOWER SYSTEM WITH HAND SHOWER

SKU: 942308

Code: SH436846, SH436851, SH436856



FEATURES

Shower Head Swivel: Yes

Shower Head Spray: Rainfall

Shower Head Flow Rate: 1.8 gpm (6.8 L/min) @ 80 psi

Hand Shower Spray: Full

Hand Shower Flow Rate: 1.8 gpm (6.8 L/min) @ 80 psi

Diverter Outlets: 2

Cartridge Type: Ceramic Disc

ASME A112.18.1/CSA B125.1, ASSE 1016 Type P, CEC Listed, LISTED ID: 515386, 525446, 526047, 526069, SH4410002*, SH441091BN, 515385, 525447, 526048, 526070, SH441091CP, 515387, 525448, 526049, 526071, SH441091ORB



ADDITIONAL FEATURES

- Shower system includes wall mount shower head and arm, wall mount slide bar with hand shower and hose, hand shower water connection, and a pressure balanced valve with 2-way diverter.
- Valve with diverter features 1/2" IPS inlets and controls water flow between 2 shower outlets.
- For water outlet configuration options consult a professional for installation.

REVISED 4/18/2025

COOPER PRESSURE BALANCED SHOWER VALVE WITH DIVERTER

SKU: 940964

Code: SH433218, SH433219, SH433220



FEATURES

Material: Brass

Diverter Outlets: 2

Cartridge Type: Ceramic Disc

ASME A112.18.1/CSA B125.1, ASSE 1016 Type P, Massachusetts Accepted, LISTED ID: 525446, 525447, 525448

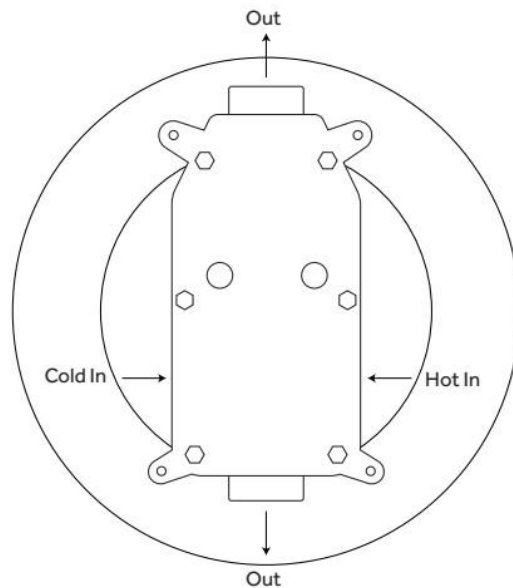
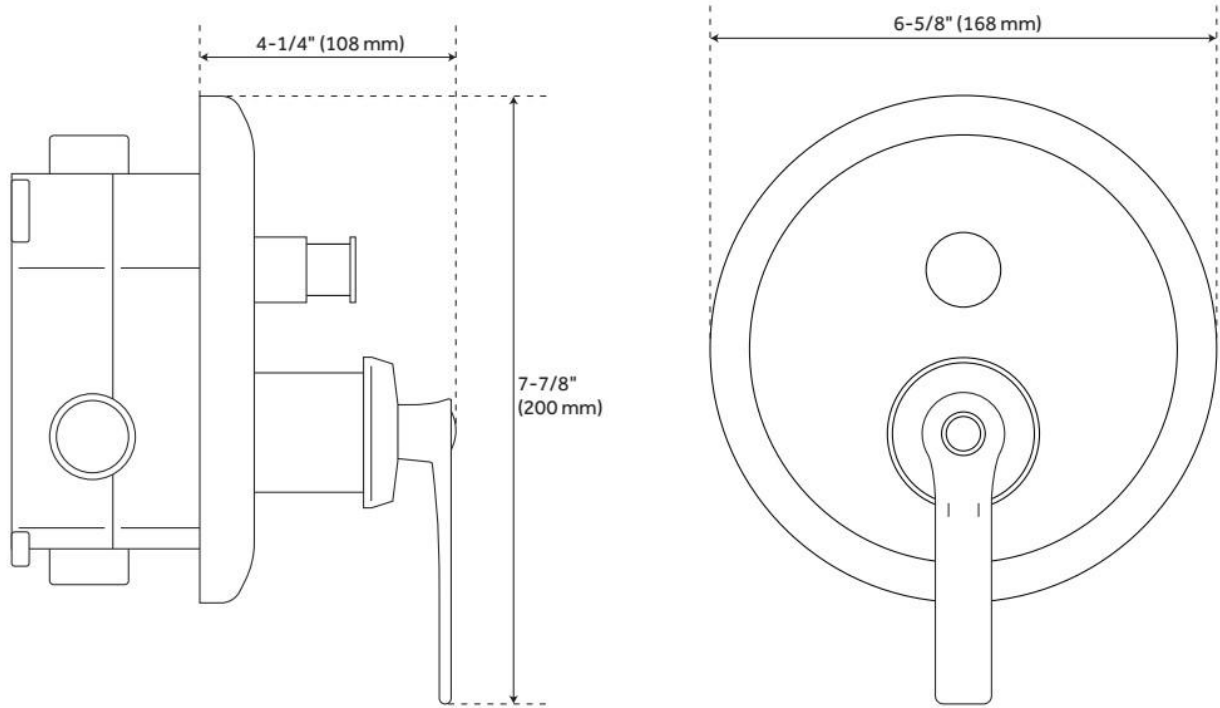


REVISED 8/14/2024

COOPER PRESSURE BALANCED SHOWER VALVE WITH DIVERTER

SKU: 940964

Code: SH433218, SH433219, SH433220



REVISED 8/14/2024

CAMBRIDGE RAINFALL NOZZLE SHOWER HEAD

SKU: 929131

Code: SH412460, SH412461, SH412462



FEATURES

Material: Brass

ASME A112.18.1/CSA B125.1, CEC Listed, Massachusetts Accepted, LISTED ID: 515385, 515386, 515387



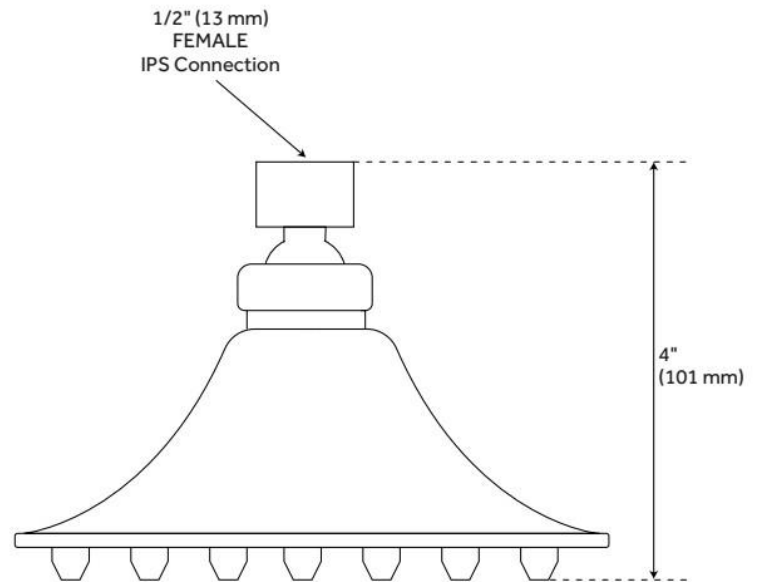
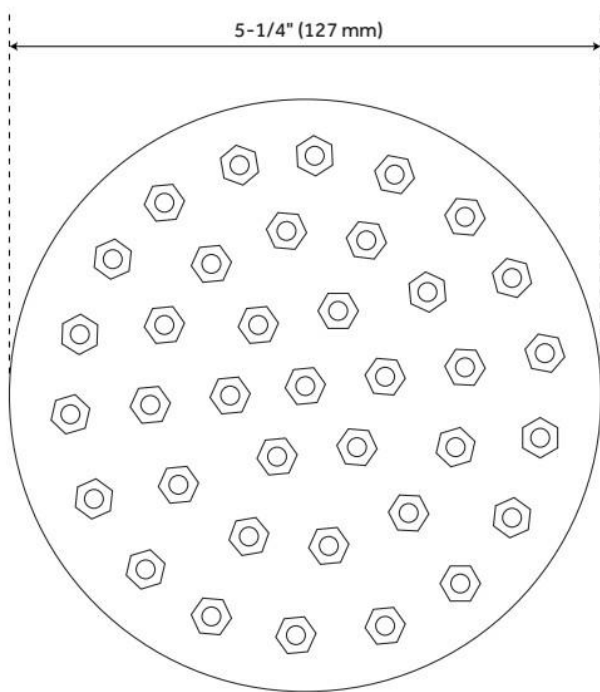
ADDITIONAL FEATURES

REVISED 5/24/2024

CAMBRIDGE RAINFALL NOZZLE SHOWER HEAD

SKU: 929131

Code: SH412460, SH412461, SH412462



REVISED 5/24/2024

STANDARD SHOWER ARM

SKU: 909606

Code: SH551, SH404440, SH184270, SH233531, SH193782, SH213462, SH231889, SH233580, SH233553, SH231888, SH231893, SH231890, SH231891, SH231895, SH231892, SH233573, SH483685, SH257557, SH483686, SH257559, SH257560, SH231894

FEATURES

Material: Brass

Connection Type: 1/2" NPT



LISTED ID: SH551**, SH441091CP, SH441091BN, SH441091ORB, SH441092CP, 564678, 564679, SH441092BN



ADDITIONAL FEATURES

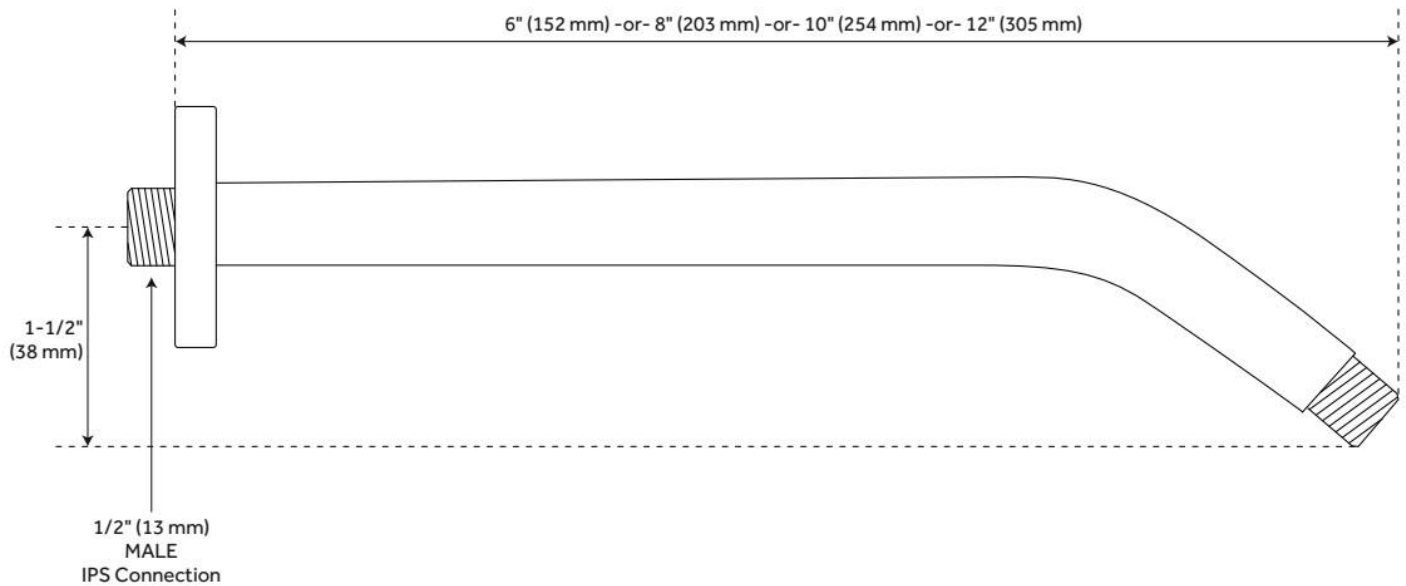
- Includes matching flange.

REVISED 5/31/2024

STANDARD SHOWER ARM

SKU: 909606

Code: SH551, SH404440, SH184270, SH233531, SH193782, SH213462, SH231889, SH233580, SH233553, SH231888, SH231893, SH231890, SH231891, SH231895, SH231892, SH233573, SH483685, SH257557, SH483686, SH257559, SH257560, SH231894



REVISED 5/31/2024

FLEXIBLE SHOWER HOSE

SKU: 940968

Code: SH433230, SH433232

FEATURES

Material: PVC



ASME A112.18.1/CSA B125.1, Massachusetts Accepted, LISTED ID: 526069, 526071

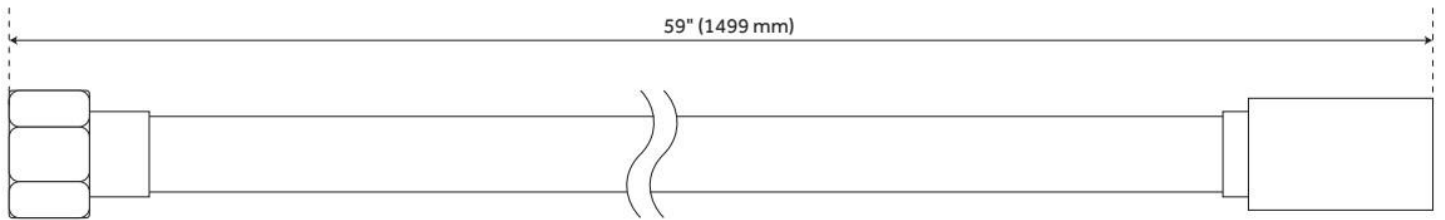


REVISED 8/14/2024

FLEXIBLE SHOWER HOSE

SKU: 940968

Code: SH433230, SH433232



REVISED 8/14/2024

MODERN WATER SUPPLY ELBOW FOR HAND SHOWER

SKU: 936277

Code: SH425073, SH436969, SH425074



FEATURES

Material: Brass

Connection Type: 1/2" NPT

ASME A112.18.1/CSA B125.1, Massachusetts Accepted, LISTED ID: SH4410002*



ADDITIONAL FEATURES

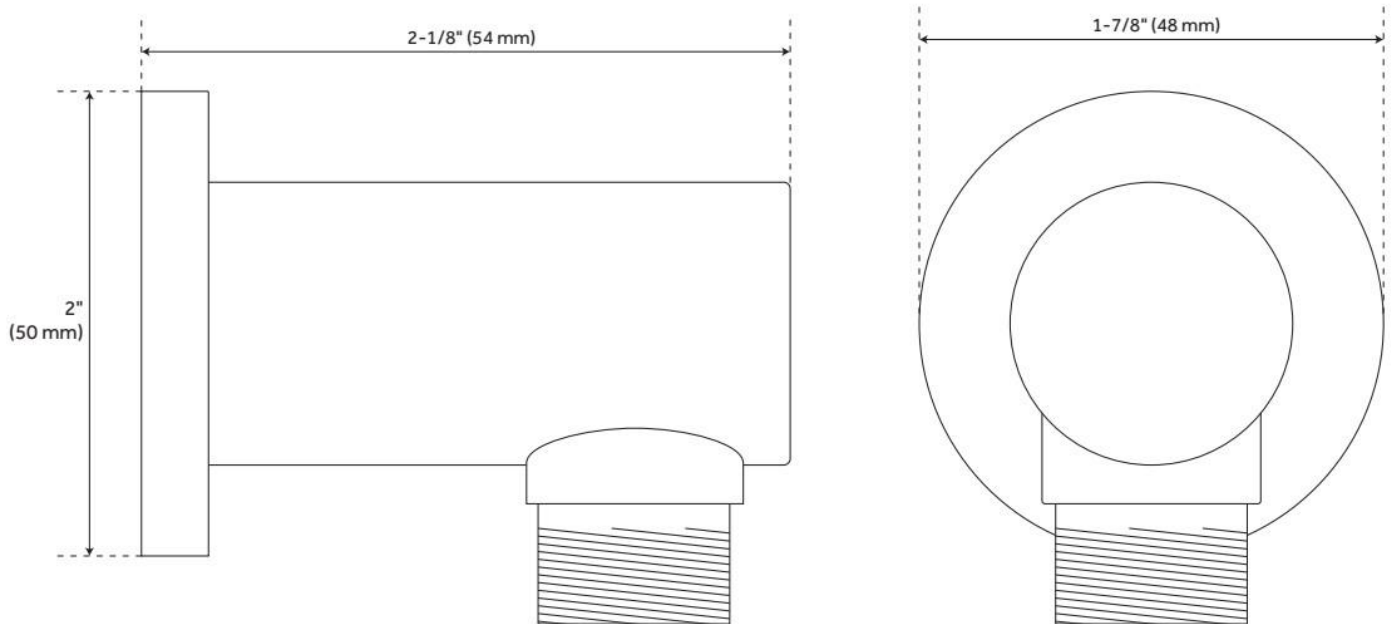
- Material: Solid Brass
- Length: 1-7/8"
- Width: 2"
- Height: 2-1/8"

REVISED 8/14/2024

MODERN WATER SUPPLY ELBOW FOR HAND SHOWER

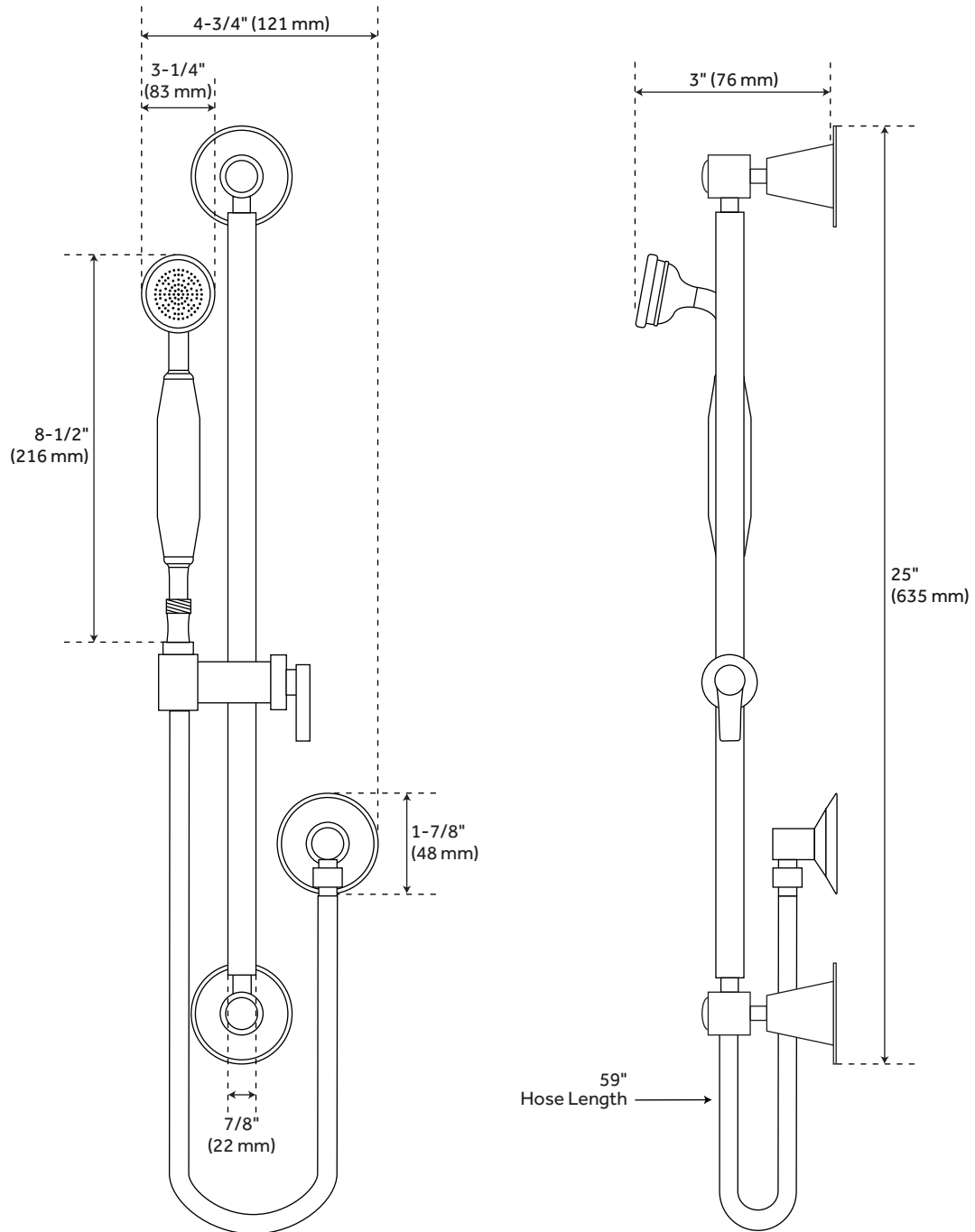
SKU: 936277

Code: SH425073, SH436969, SH425074



REVISED 8/14/2024

COOPER HAND SHOWER WITH SLIDE BAR



All dimensions and specifications are nominal and may vary. Use actual products for accuracy in critical situations.

COOPER HAND SHOWER WITH PORCELAIN HANDLE

SKU: 940963

Code: SH433214, SH433215, SH433216

FEATURES

Material: Brass

Hand Shower Spray: Full

Hand Shower Flow Rate: 1.8 gpm (6.8 L/min) @ 80 psi



ASME A112.18.1/CSA B125.1, CEC Listed, Massachusetts Accepted, LISTED ID: 526047, 526048, 526049



ADDITIONAL FEATURES

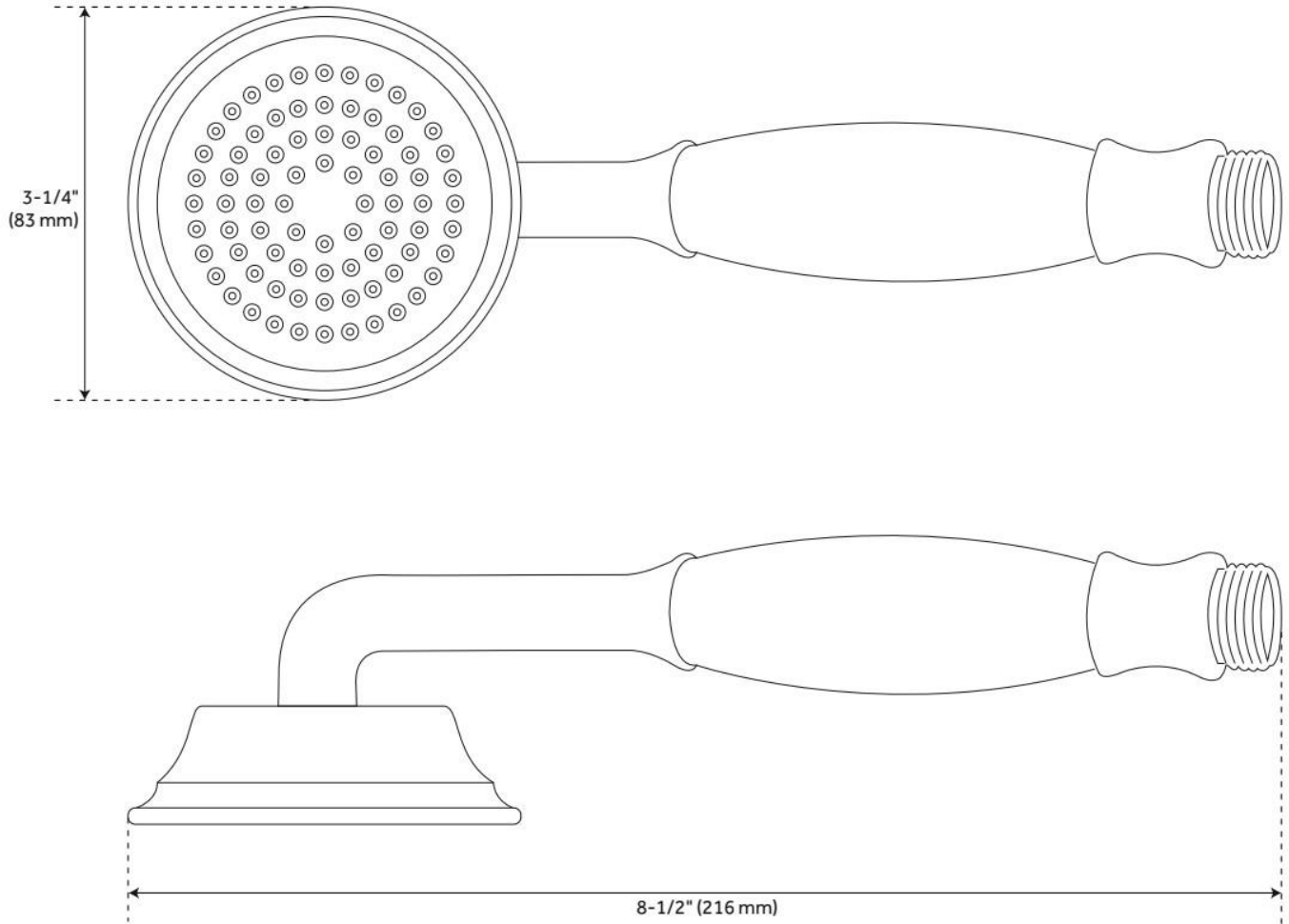
- Hand shower only. Hose sold separately.

REVISED 4/18/2025

COOPER HAND SHOWER WITH PORCELAIN HANDLE

SKU: 940963

Code: SH433214, SH433215, SH433216



REVISED 4/18/2025