

COOPER SHOWER SYSTEM WITH HAND SHOWER

SKU: 942308

Code: SH436846, SH436851, SH436856



FEATURES

Shower Head Swivel: Yes

Hand Shower Spray: Full

Hand Shower Flow Rate: 1.8 gpm (6.8 L/min) @ 80 psi

Diverter Outlets: 2

Cartridge Type: Ceramic Disc

ASSE 1016 Type P, LISTED ID: SH551**, SH441091CP, SH441091BN, SH441091ORB, SH441092CP, 564678, 564679, SH441092BN, 515386, 525446, 526047, 526069, SH4410002*, 515385, 525447, 526048, 526070, 515387, 525448, 526049, 526071



ADDITIONAL FEATURES

- Shower system includes wall mount shower head and arm, wall mount slide bar with hand shower and hose, hand shower water connection, and a pressure balanced valve with 2-way diverter.
- Valve with diverter features 1/2" IPS inlets and controls water flow between 2 shower outlets.
- For water outlet configuration options consult a professional for installation.

REVISED 6/3/2024

COOPER PRESSURE BALANCED SHOWER VALVE WITH DIVERTER

SKU: 940964

Code: SH433218, SH433219, SH433220



FEATURES

Material: Brass

Diverter Outlets: 2

Cartridge Type: Ceramic Disc

ASME A112.18.1/CSA B125.1, ASSE 1016 Type P, LISTED ID: 525446, 525447, 525448



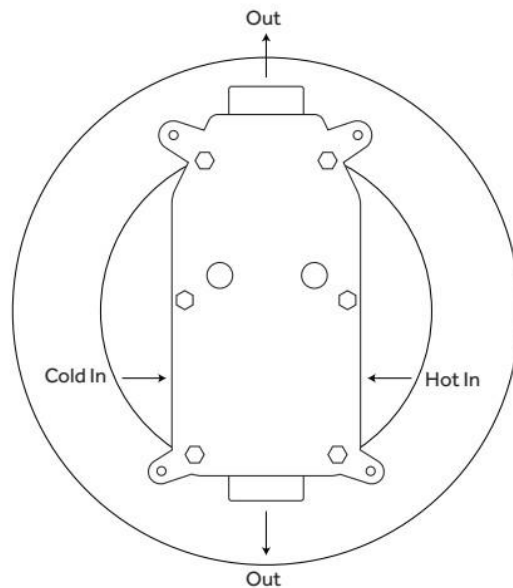
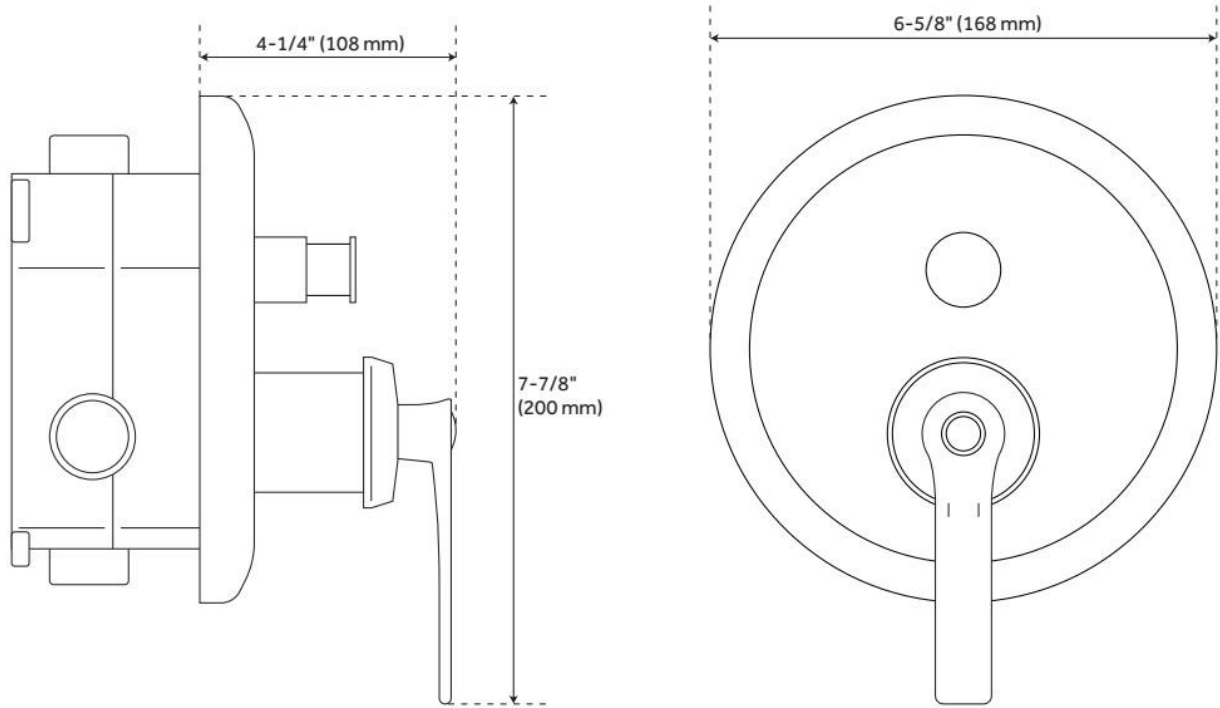
ADDITIONAL FEATURES

REVISED 5/24/2024

COOPER PRESSURE BALANCED SHOWER VALVE WITH DIVERTER

SKU: 940964

Code: SH433218, SH433219, SH433220



REVISED 5/24/2024

CAMBRIDGE RAINFALL NOZZLE SHOWER HEAD

SKU: 929131

Code: SH412460, SH412461, SH412462



FEATURES

Material: Brass

ASME A112.18.1/CSA B125.1, CEC Listed, Massachusetts Accepted, LISTED ID: 515385, 515386, 515387



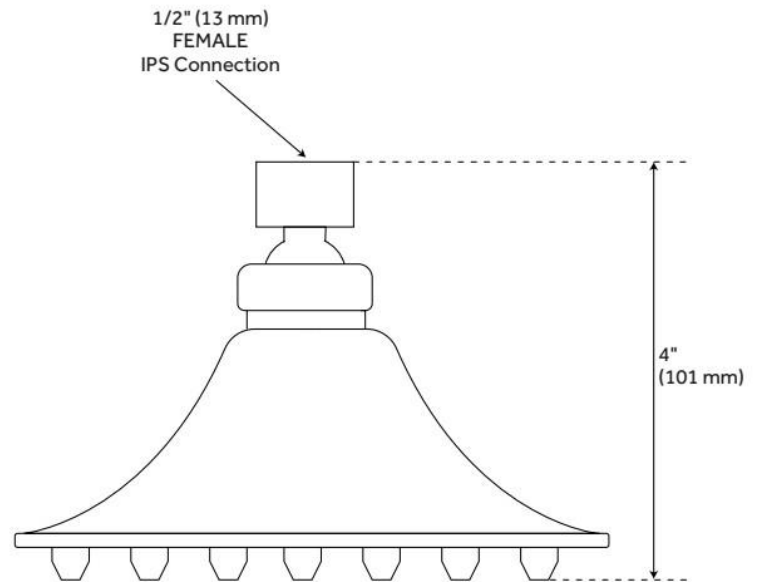
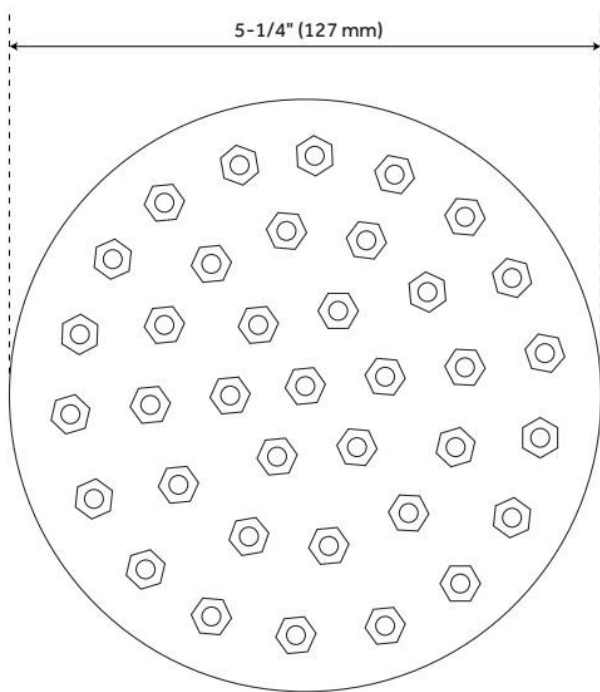
ADDITIONAL FEATURES

REVISED 5/24/2024

CAMBRIDGE RAINFALL NOZZLE SHOWER HEAD

SKU: 929131

Code: SH412460, SH412461, SH412462



REVISED 5/24/2024

STANDARD SHOWER ARM

SKU: 909606

Code: SH551, SH404440, SH184270, SH233531, SH193782, SH213462, SH231889, SH233580, SH233553, SH231888, SH231893, SH231890, SH231891, SH231895, SH231892, SH233573, SH483685, SH257557, SH483686, SH257559, SH257560, SH231894

FEATURES

Material: Brass

Connection Type: 1/2" NPT



LISTED ID: SH551**, SH441091CP, SH441091BN, SH441091ORB, SH441092CP, 564678, 564679, SH441092BN



ADDITIONAL FEATURES

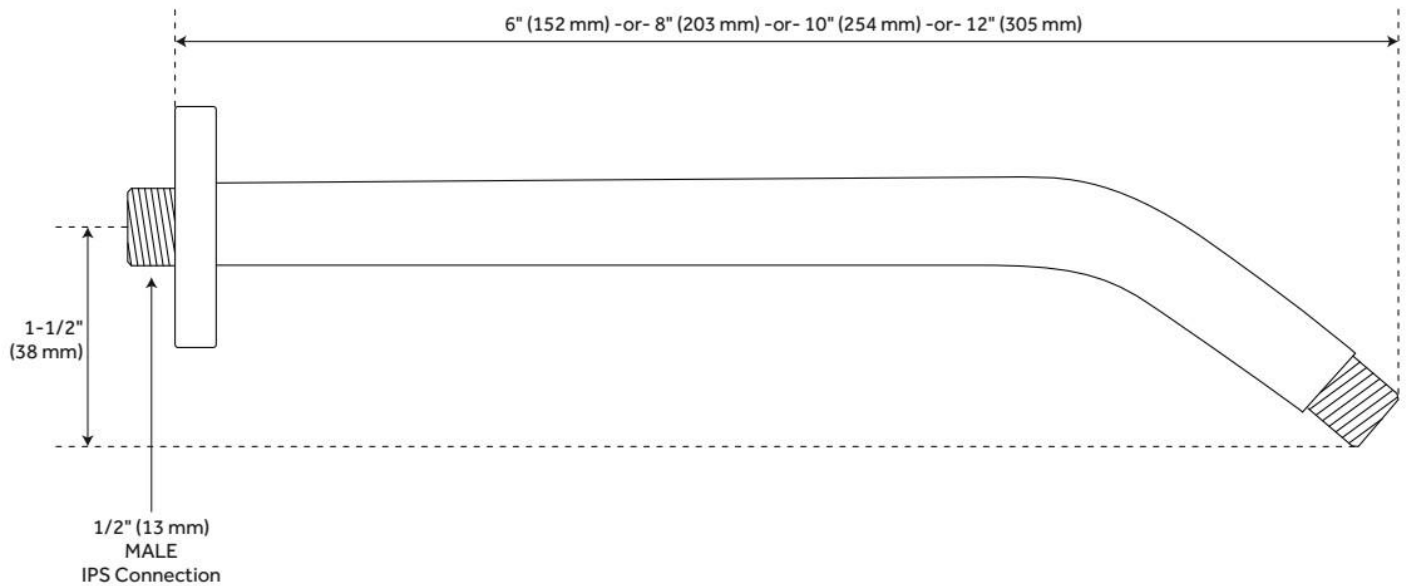
- Includes matching flange.

REVISED 5/31/2024

STANDARD SHOWER ARM

SKU: 909606

Code: SH551, SH404440, SH184270, SH233531, SH193782, SH213462, SH231889, SH233580, SH233553, SH231888, SH231893, SH231890, SH231891, SH231895, SH231892, SH233573, SH483685, SH257557, SH483686, SH257559, SH257560, SH231894



REVISED 5/31/2024

COOPER HAND SHOWER WITH PORCELAIN HANDLE

SKU: 940963

Code: SH433214, SH433215, SH433216

FEATURES

Material: Brass

Hand Shower Spray: Full

Hand Shower Flow Rate: 1.8 gpm (6.8 L/min) @ 80 psi



ASME A112.18.1/CSA B125.1, LISTED ID: 526047, 526048, 526049



ADDITIONAL FEATURES

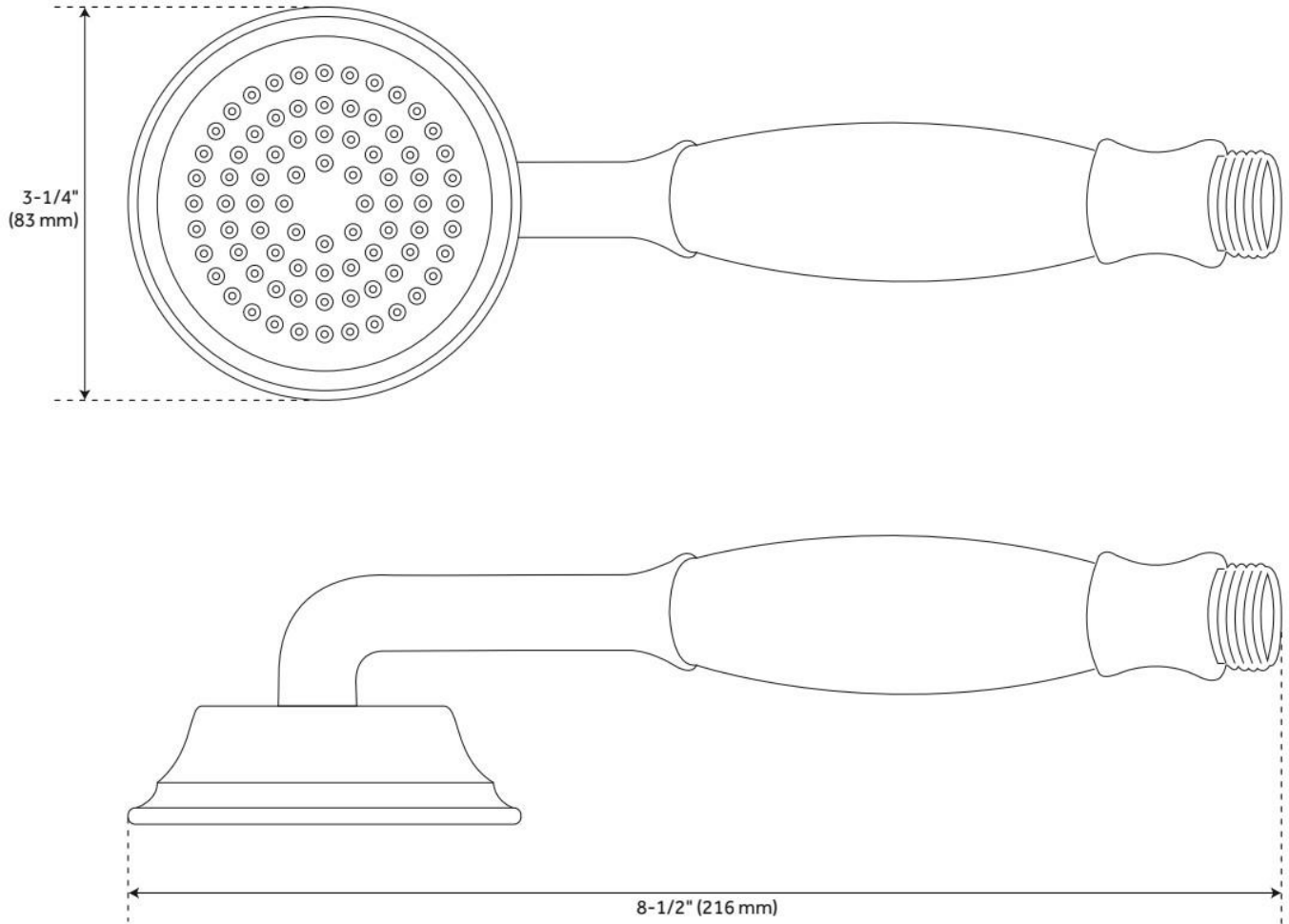
- Hand shower only. Hose sold separately.

REVISED 5/24/2024

COOPER HAND SHOWER WITH PORCELAIN HANDLE

SKU: 940963

Code: SH433214, SH433215, SH433216



REVISED 5/24/2024

MODERN WATER SUPPLY ELBOW FOR HAND SHOWER

SKU: 936277

Code: SH425073, SH436969, SH425074



FEATURES

Material: Brass

Connection Type: 1/2" NPT

ASME A112.18.1/CSA B125.1, Massachusetts Accepted, LISTED ID: SH4410002*



ADDITIONAL FEATURES

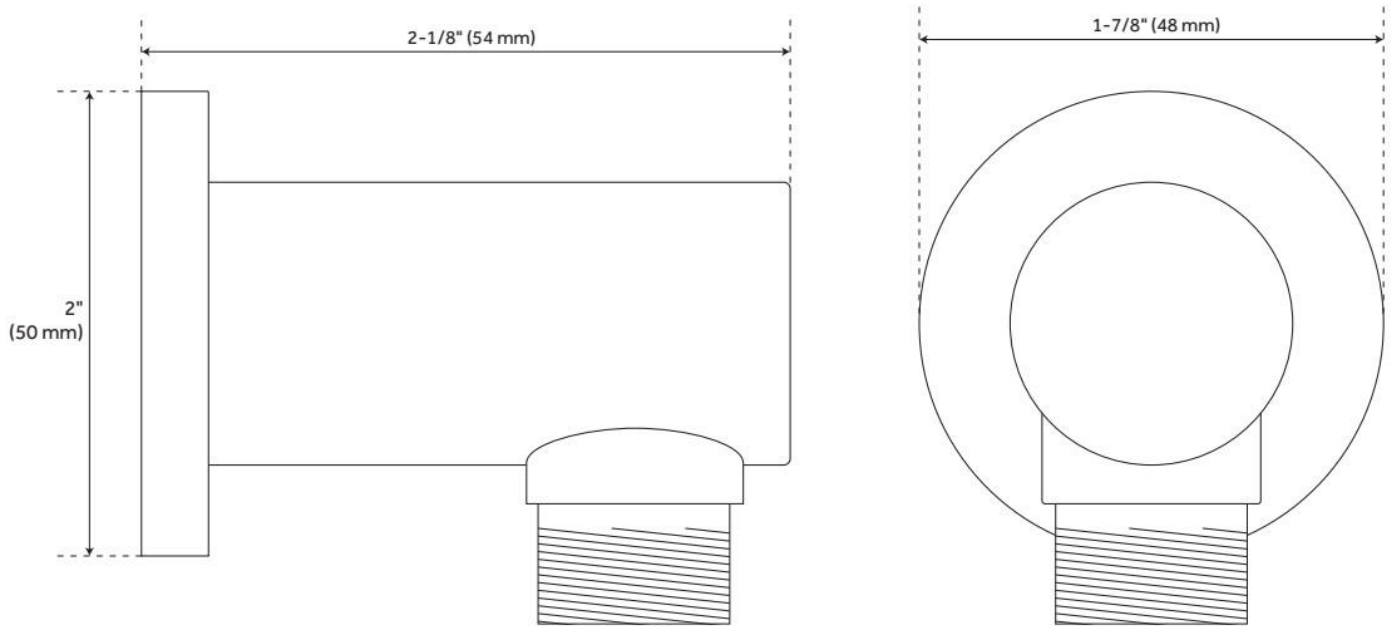
- Material: Solid Brass
- Length: 1-7/8"
- Width: 2"
- Height: 2-1/8"

REVISED 5/24/2024

MODERN WATER SUPPLY ELBOW FOR HAND SHOWER

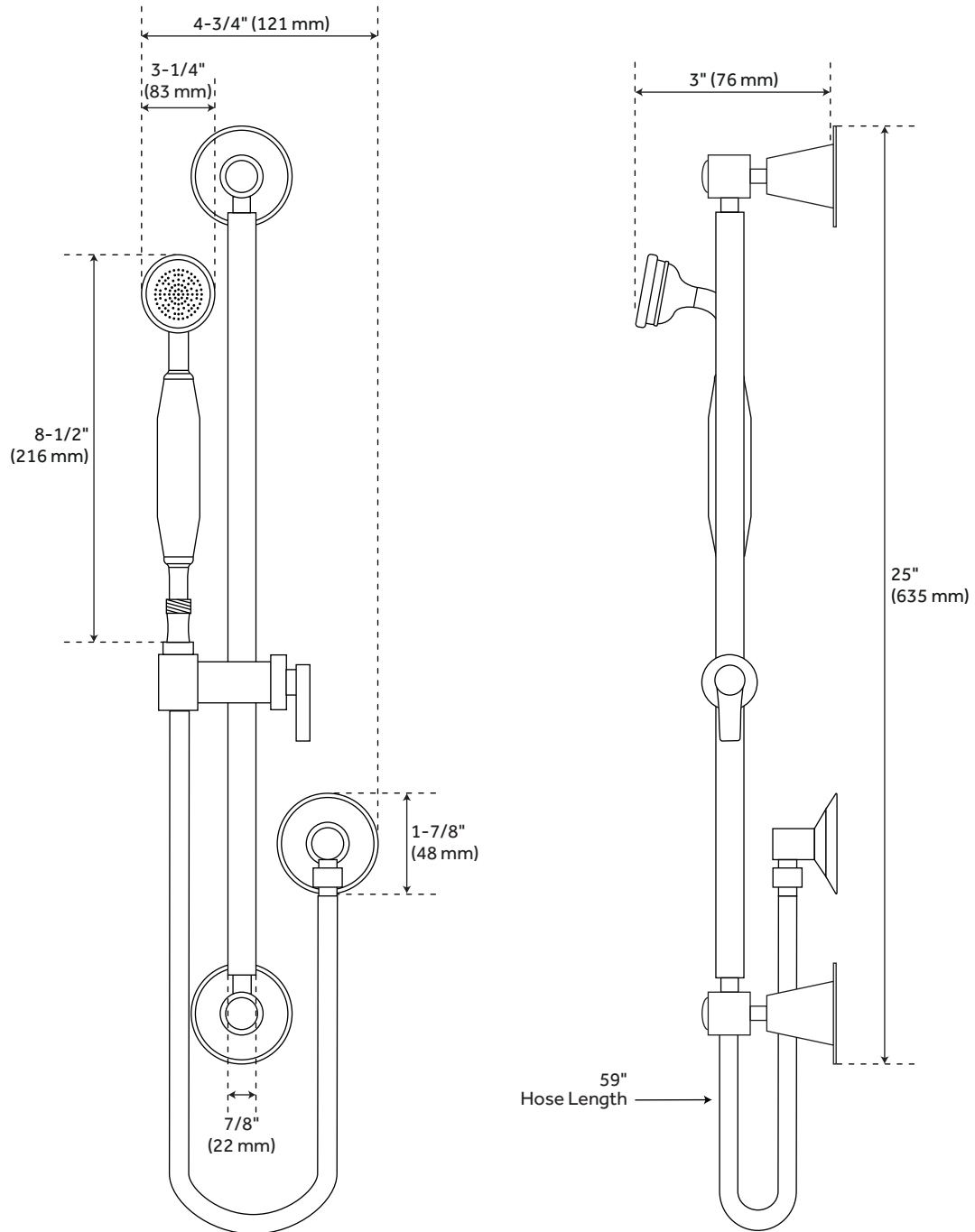
SKU: 936277

Code: SH425073, SH436969, SH425074



REVISED 5/24/2024

COOPER HAND SHOWER WITH SLIDE BAR



All dimensions and specifications are nominal and may vary. Use actual products for accuracy in critical situations.