

33" ATLAS 60/40 OFFSET DOUBLE-BOWL STAINLESS STEEL FARMHOUSE SINK - CURVED APRON -

SKU: 944657
Code: SH441087



ASME A112.19.3/CSA B45.4

FEATURES

Material: Stainless Steel
Length: 33"
Width: 21"
Height: 9"
Number of Basins: 2
Sink Installation: Farmhouse
Product Color: Gunmetal Black
Faucet Centers: No Faucet Hole
Fits Drain Hole Size: 3-1/2"
Exterior Treatment: Smooth
Interior Treatment: Smooth
Metal Gauge/Thickness: 16 Gauge
Drain Included: Optional
Faucet Included: No
Basin Configuration: 60/40
Apron Design: Curved
Large Bowl Length: 18"
Large Bowl Width: 17"
Small Bowl Length: 12"
Small Bowl Width: 17"
Water Depth to Rim: 8-5/8"
Apron Front Rim Thickness: 3"
Side and Back Rim Thickness: 1"
Faucet Holes: No Faucet Hole

REVISED 3/31/2023

33" ATLAS 60/40 OFFSET DOUBLE-BOWL STAINLESS STEEL FARMHOUSE SINK - CURVED APRON -

SKU: 944657
Code: SH441087



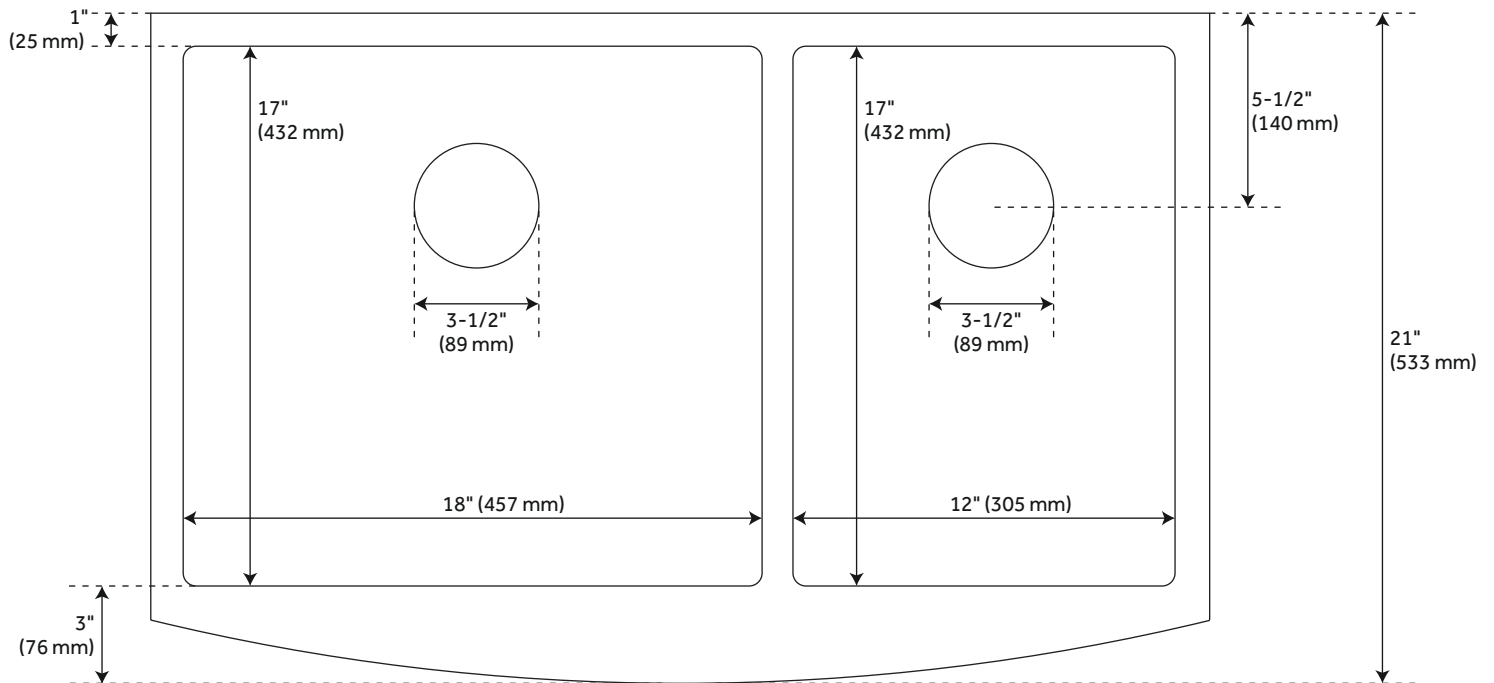
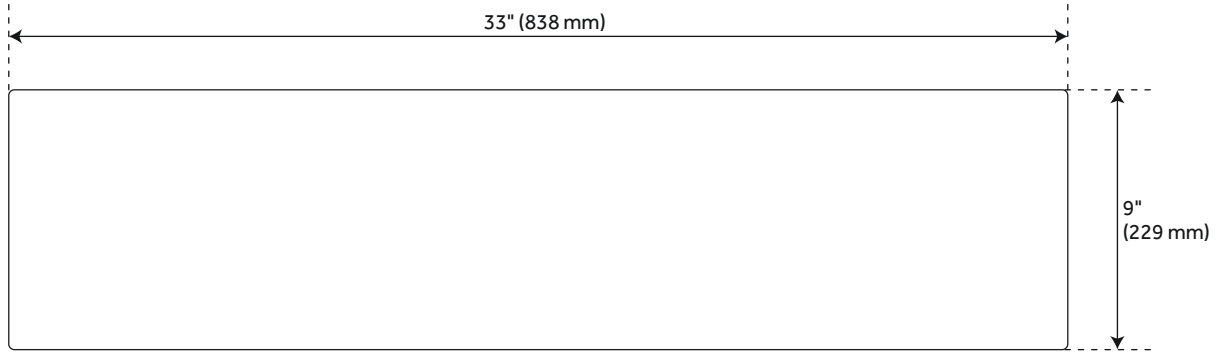
ADDITIONAL FEATURES

- Sound insulation coating/pads on sides and bottom.
- Rear drain location.

REVISED 3/31/2023

33" ATLAS 60/40 OFFSET DOUBLE-BOWL FARMHOUSE SINK - GUNMETAL BLACK

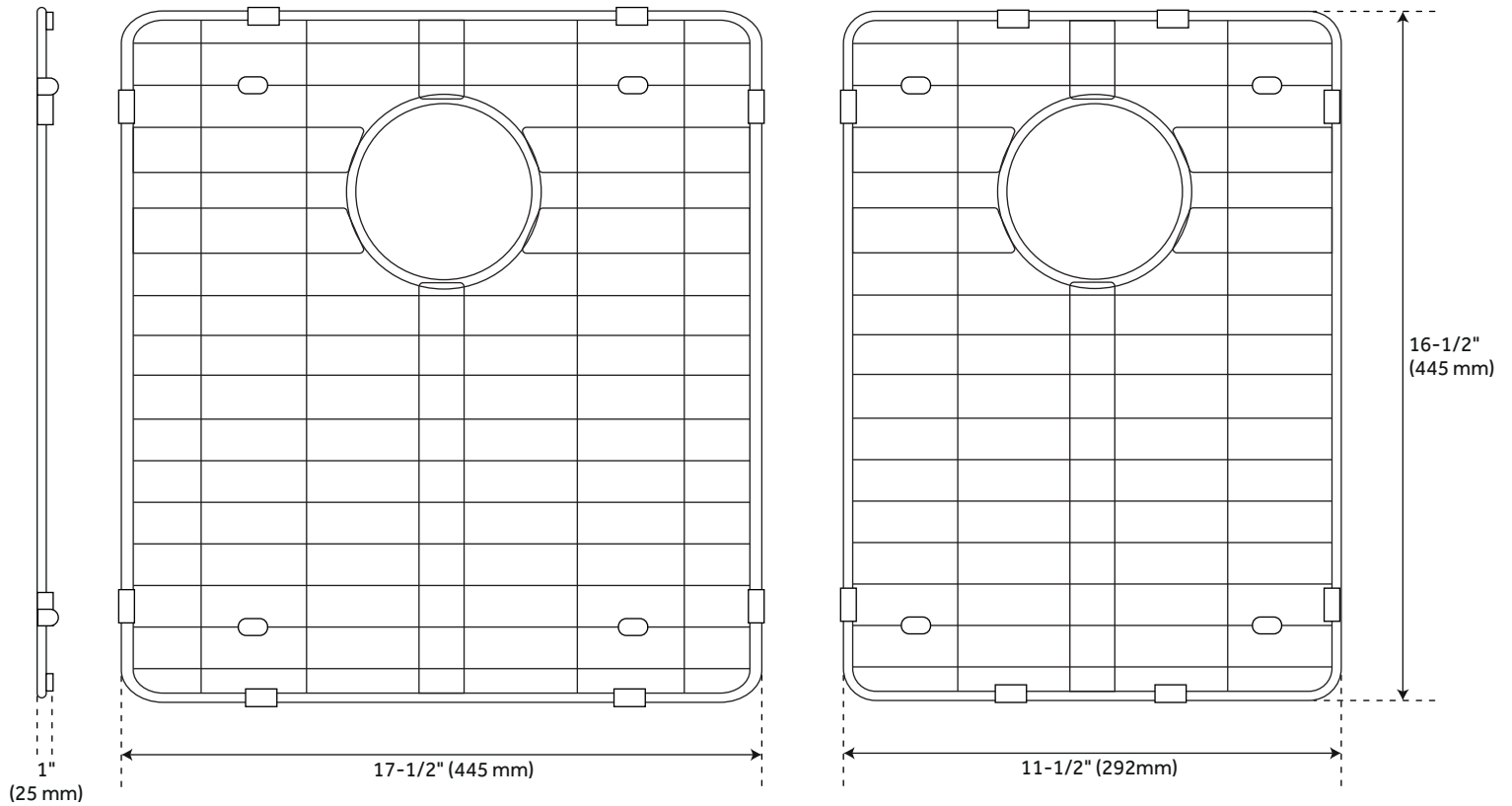
SKU: 944657



All dimensions and specifications are nominal and may vary. Use actual products for accuracy in critical situations.

OPTIONAL 33" ATLAS 60/40 OFFSET DOUBLE-BOWL FARMHOUSE SINK GRIDS

SKU: 944657



All dimensions and specifications are nominal and may vary. Use actual products for accuracy in critical situations.