

# 33" ATLAS 60/40 OFFSET DOUBLE-BOWL STAINLESS STEEL FARMHOUSE SINK - CURVED APRON - MATTE

SKU: 944658  
Code: SH441088



ASME A112.19.3/CSA B45.4

## FEATURES

Material: Stainless Steel  
Length: 33"  
Width: 21"  
Height: 9"  
Number of Basins: 2  
Sink Installation: Farmhouse  
Product Color: Matte Gold  
Faucet Centers: No Faucet Hole  
Fits Drain Hole Size: 3-1/2"  
Exterior Treatment: Smooth  
Interior Treatment: Smooth  
Metal Gauge/Thickness: 16 Gauge  
Drain Included: Optional  
Faucet Included: No  
Basin Configuration: 60/40  
Apron Design: Curved  
Large Bowl Length: 18"  
Large Bowl Width: 17"  
Small Bowl Length: 12"  
Small Bowl Width: 17"  
Water Depth to Rim: 8-5/8"  
Apron Front Rim Thickness: 3"  
Side and Back Rim Thickness: 1"  
Faucet Holes: No Faucet Hole

REVISED 3/31/2023

# 33" ATLAS 60/40 OFFSET DOUBLE-BOWL STAINLESS STEEL FARMHOUSE SINK - CURVED APRON - MATTE

SKU: 944658  
Code: SH441088



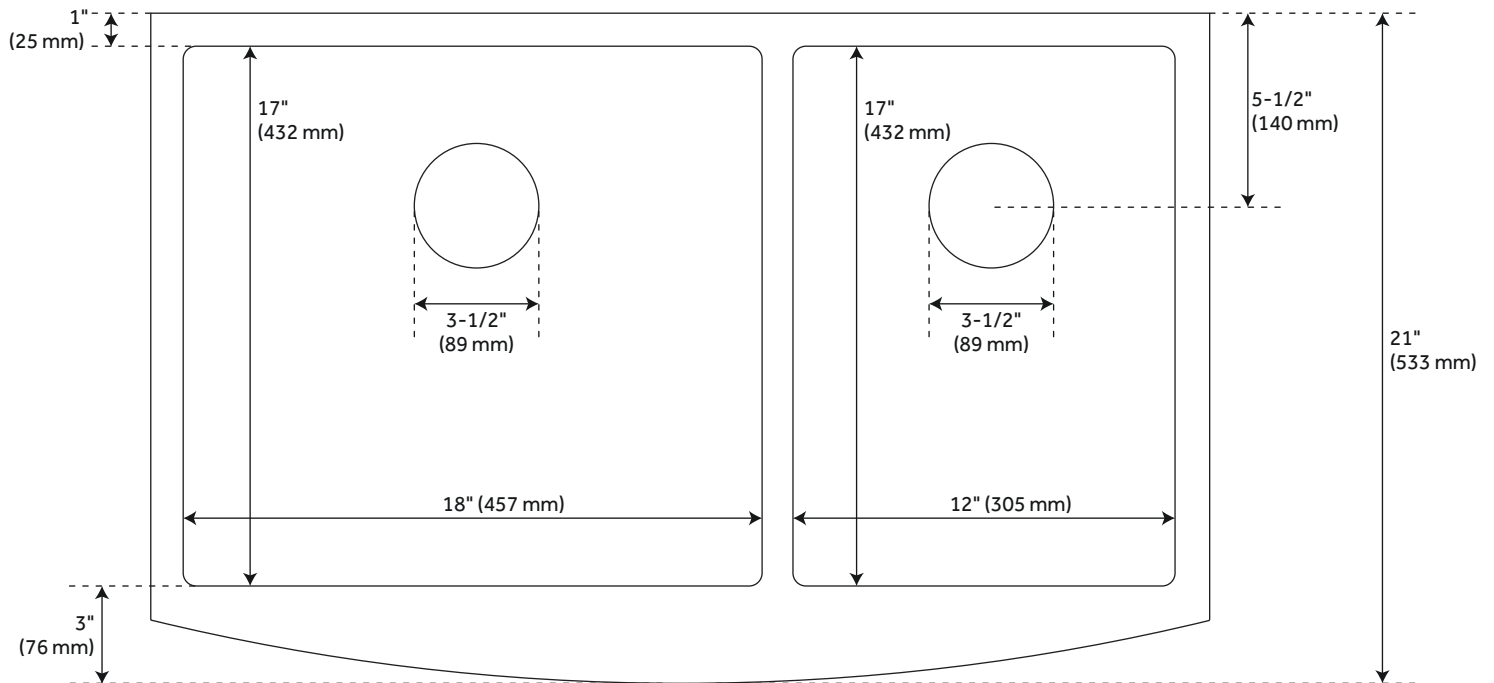
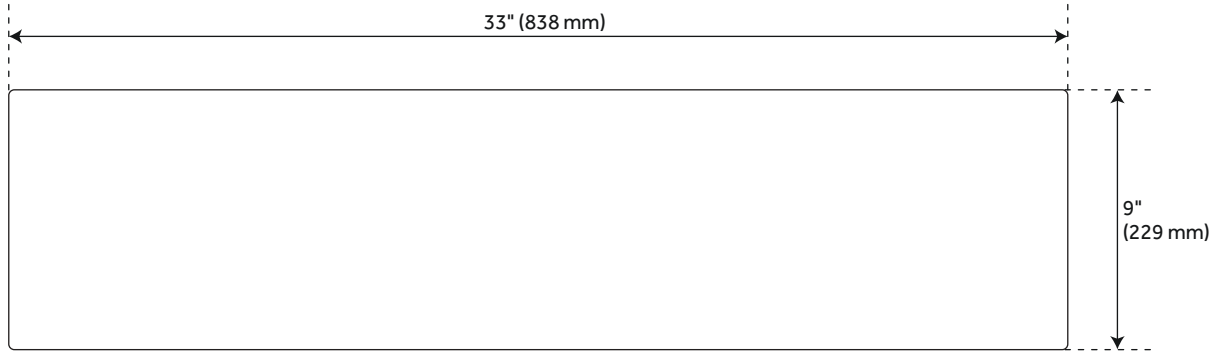
## ADDITIONAL FEATURES

- Sound insulation coating/pads on sides and bottom.
- Rear drain location.

REVISED 3/31/2023

# 33" ATLAS 60/40 OFFSET DOUBLE-BOWL FARMHOUSE SINK - MATTE GOLD

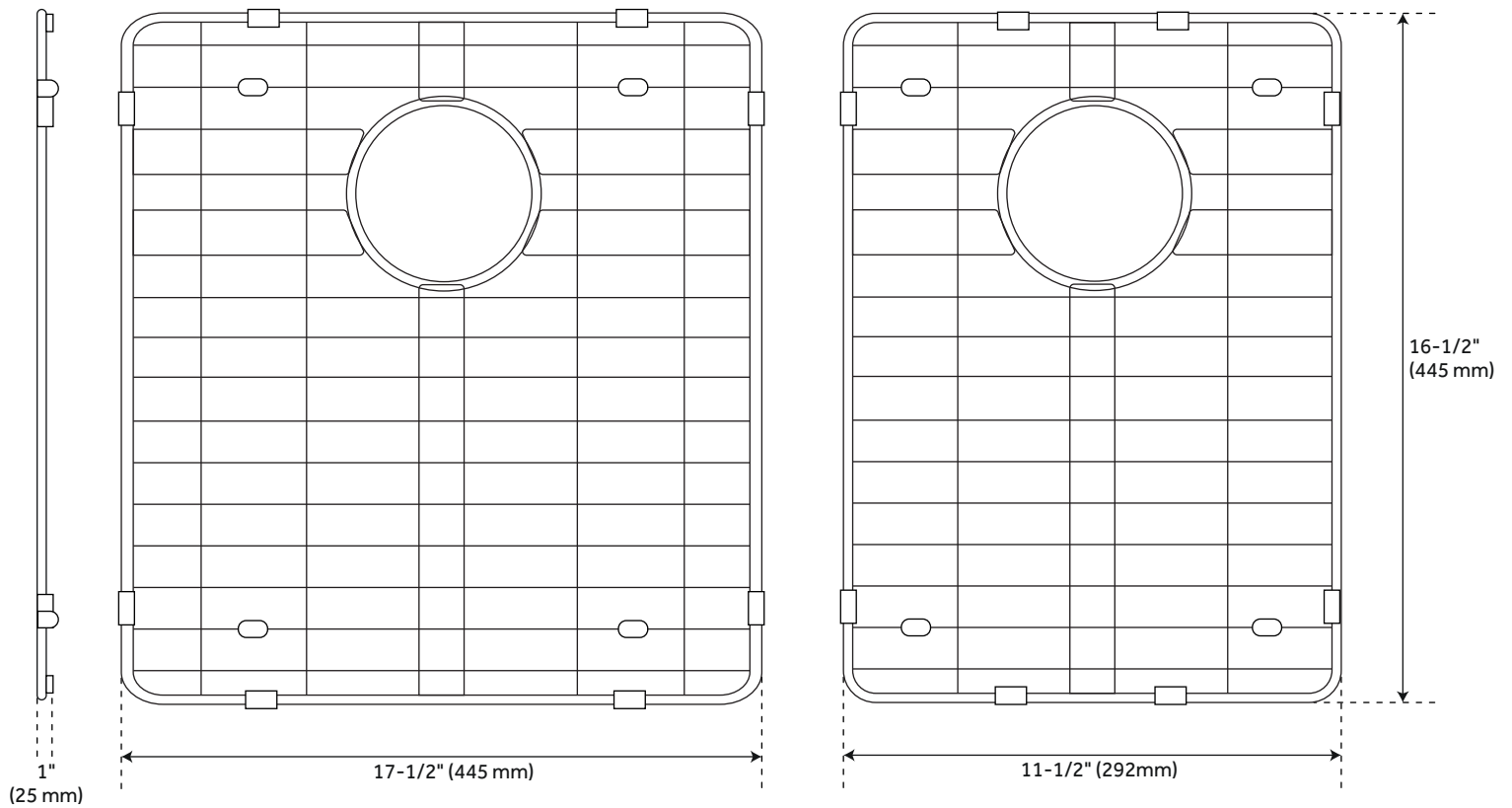
SKU: 944658



All dimensions and specifications are nominal and may vary. Use actual products for accuracy in critical situations.

# OPTIONAL 33" ATLAS 60/40 OFFSET DOUBLE-BOWL FARMHOUSE SINK GRIDS

SKU: 944658



All dimensions and specifications are nominal and may vary. Use actual products for accuracy in critical situations.