

EDGEHILL 2-LIGHT OUTDOOR ENTRANCE WALL SCONCE

SKU: 944721

Code: PHEL4501, PHEL4502



FEATURES

Installation Type: Wall Mount
Design: Traditional
Product Finish: Black
Material: Aluminum
Width: 8-1/4"
Base Plate Length: 4-3/8"
Base Plate Height: 8-1/4"
Mounting Hardware Included: Yes
Shade Finish: Clear
Shade Material: Glass
Number of Bulbs: 2
Base Plate Width: 4-3/8"
Base Plate Depth: 1"
Location Type: Suitable for Wet Locations
Bulbs Included: No
Bulb Type: Candelabra E-12
Wattage per Bulb: 60
Sloped Ceiling Compatible: No
Voltage: 110

UL 1598 / CSA C22.2 No 250.0

REVISED 4/5/2023

EDGEHILL 2-LIGHT OUTDOOR ENTRANCE WALL SCONCE

SKU: 944721

Code: PHEL4501, PHEL4502



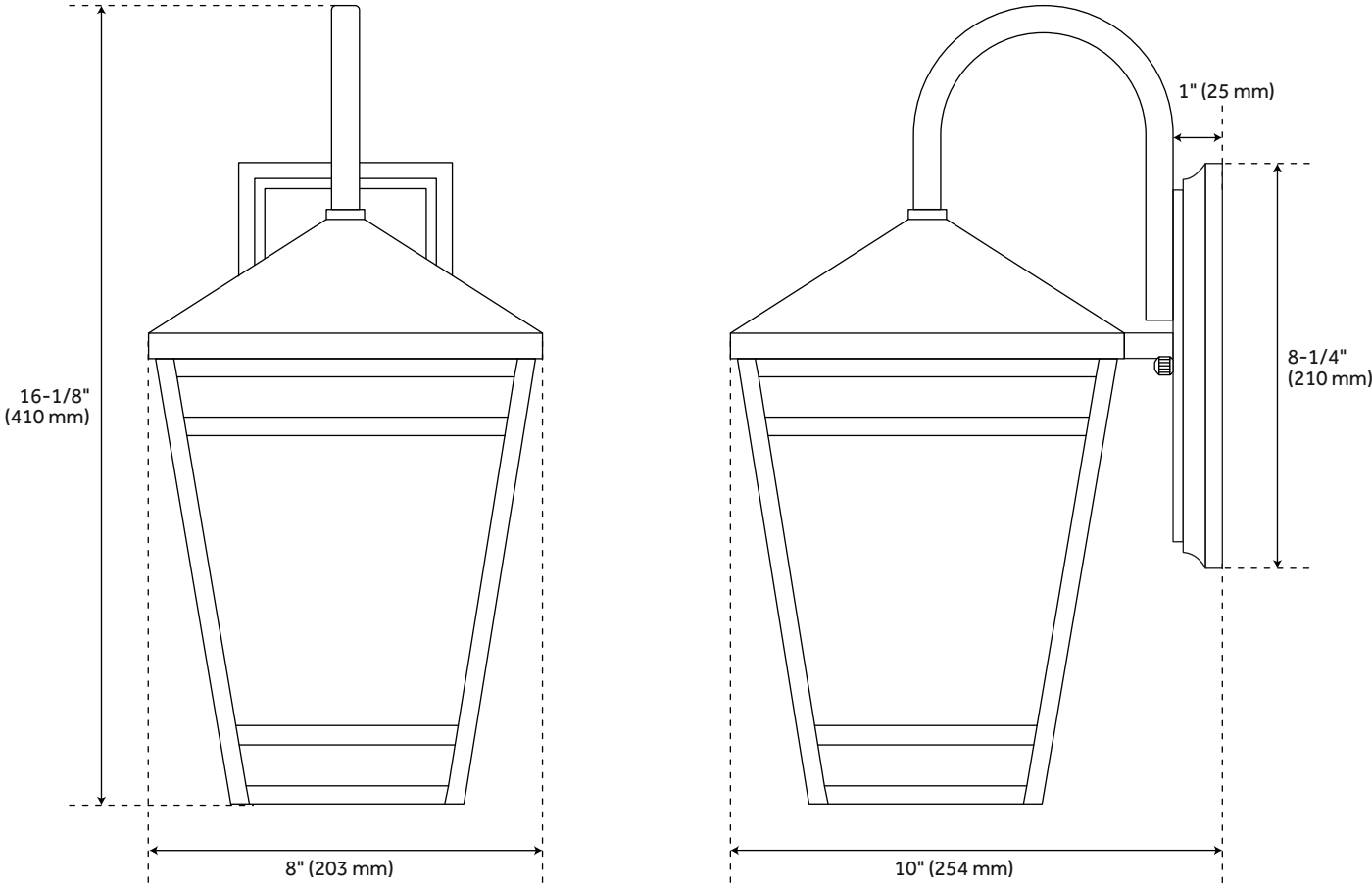
ADDITIONAL FEATURES

- Hardwired.
- 16" Overall measurements: 8-1/4" W x 10" D x 16-1/8" H.
- 20" Overall measurements: 11-3/4" W x 12-1/2" D x 20-1/4" H.

REVISED 4/5/2023

EDGEHILL 16" 2-LIGHT OUTDOOR ENTRANCE WALL SCONCE - BLACK

SKU: 944721
PHEL4501

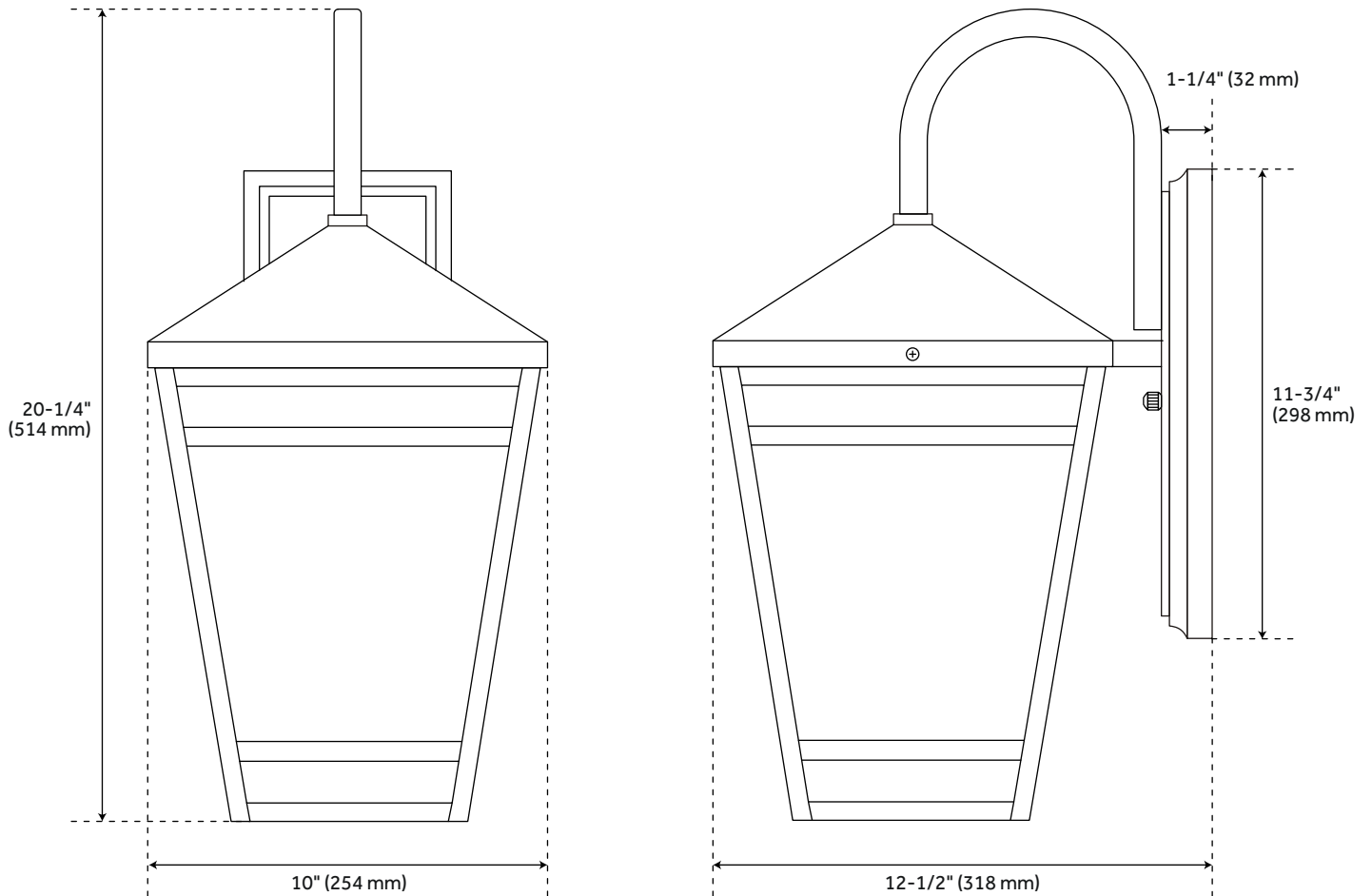


All dimensions and specifications are nominal and may vary. Use actual products for accuracy in critical situations.

EDGEHILL 20" 2-LIGHT OUTDOOR ENTRANCE WALL SCONCE - BLACK

SKU: 944721

PHEL4502



All dimensions and specifications are nominal and may vary. Use actual products for accuracy in critical situations.