

# 67" AMELIA ACRYLIC FREESTANDING SLIPPER TUB

SKU: 946108

Code: SH442101, SH462787



## FEATURES

Tub Material: Acrylic

Product Finish: White

Shape: Oval

Tub Drain Placement: End

Drain Included: Yes

Water Depth to Overflow: 16-3/4"

Water Capacity (Gallons): 49

Built-In Adjusters: Yes

Tub Weight Uncrated (lbs): 108

Optional Accessory: 428473

CSA B45.5/IAPMO Z124, Massachusetts Accepted, LISTED ID: SH112049AWH



## ADDITIONAL FEATURES

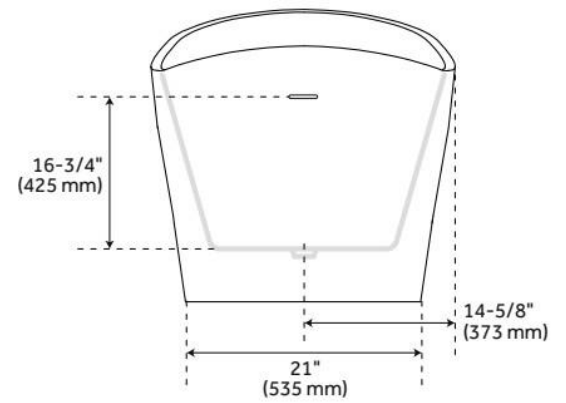
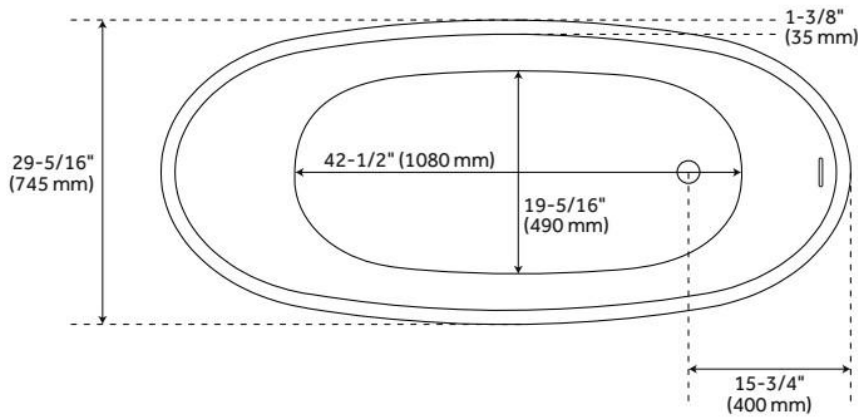
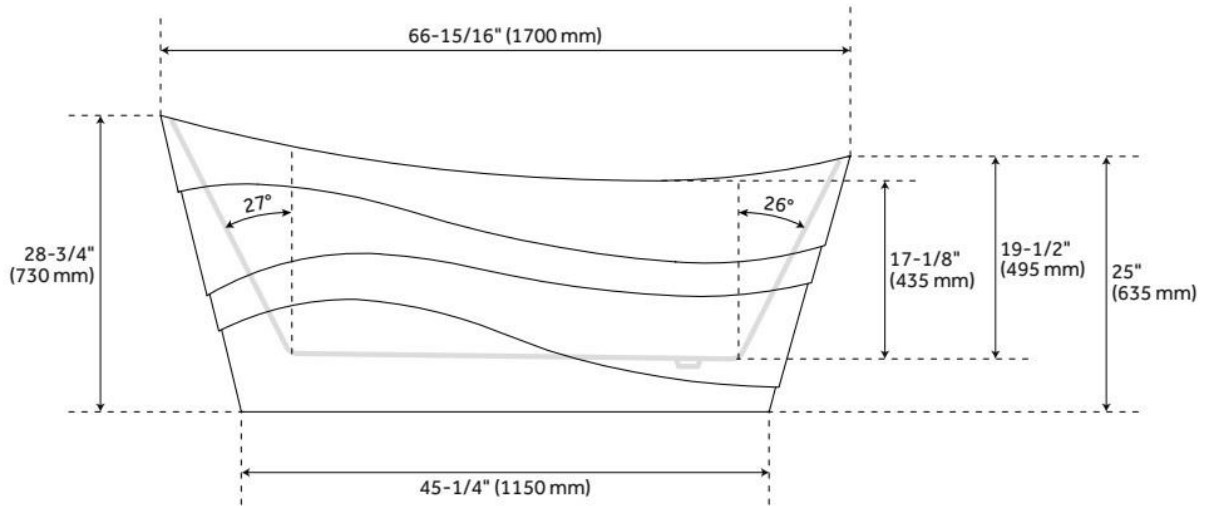
- All dimensions are ( $\pm 1/2$ ").
- Formed of two acrylic sheets, the air between acting as thermal insulator.
- Foam Insulation option: increases heat retention and prevents condensation due to water and air temperature fluctuations.
- Optional Quick Connect Drop-In Drain Kit Includes:
  - Floor Plate, 1-1/2" PVC Pipe, 2" x 1-1/2" Trap Adapters, 1 Brass Threaded, 1 Brass Unthreaded Tailpiece and Plug.
  - Installs above your subfloor, but underneath your cement floor or tile, so you do not need access below the fixture.

REVISED 6/17/2024

# 67" AMELIA ACRYLIC FREESTANDING SLIPPER TUB

SKU: 946108

Code: SH442101, SH462787



REVISED 6/17/2024