

69" NEWHAVEN ACRYLIC FREESTANDING SLIPPER TUB - TRIM

SKU: 946113

Code: SH480969, SH480970, SH480971, SH480972, SH480973, SH480974, SH480975



FEATURES

Tub Material: Acrylic
Product Finish: White
Shape: Rectangle
Tub Drain Placement: Center
Drain Included: Optional
Water Depth to Overflow: 14-3/8"
Water Capacity (Gallons): 89
Built-In Adjusters: Yes
Tub Weight Uncrated (lbs): 130
Optional Accessory: 428473

LISTED ID: SH112051WH



ADDITIONAL FEATURES

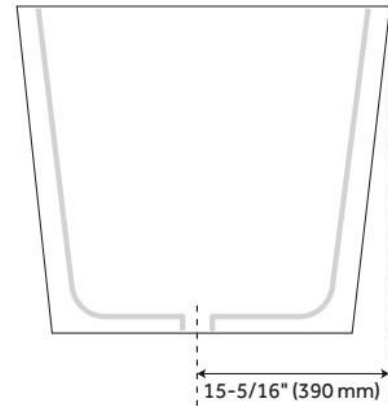
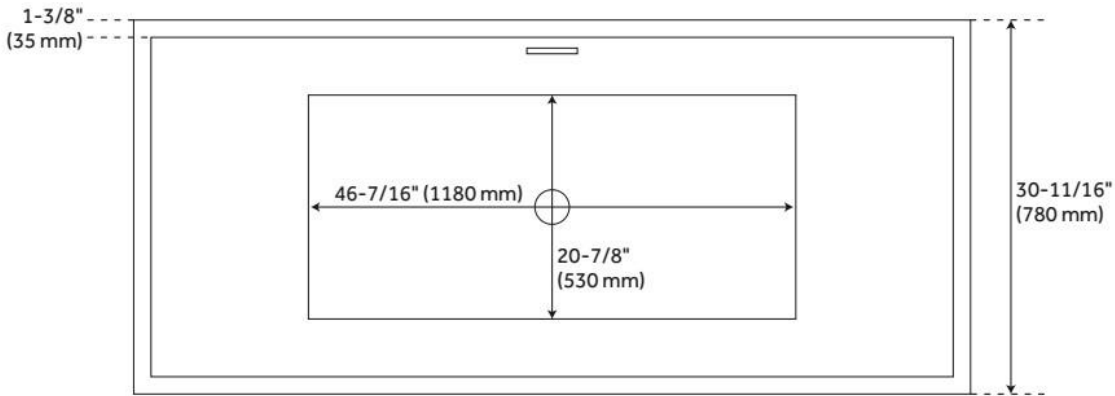
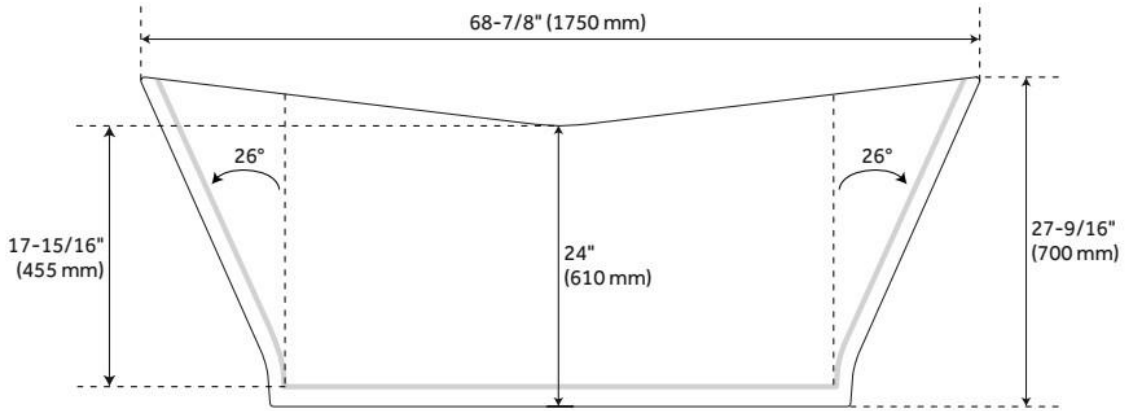
- All dimensions are ($\pm 1/2$ ").
- Trim kit includes: Pop-Up Drain with matching drain cover and overflow plate in your choice of color.
- Formed of two acrylic sheets, the air between acting as thermal insulator.

REVISED 6/21/2024

69" NEWHAVEN ACRYLIC FREESTANDING SLIPPER TUB - TRIM

SKU: 946113

Code: SH480969, SH480970, SH480971, SH480972, SH480973, SH480974, SH480975



REVISED 6/21/2024

RECTANGULAR DRAIN & OVERFLOW TRIM KIT

SKU: 944544

Code: SH440827, SH440828, SH440829, SH440830, SH440831, SH440832



REVISED 6/18/2024