

61" CALLAWAY CAST IRON CLAWFOOT TUB 7" RIM HOLES - BALL & CLAW FEET

SKU: 946145-61-RH

Code: SH106470, SH475636, SH106471, SH475638, SH106482, SH475640, SH217628, SH475642, SH416301, SH475888



FEATURES

Design: Traditional
Product Finish: White
Length: 61"
Width: 30"
Height: 29-1/4"
Water Depth To Overflow: 13-1/2"
Exterior Treatment: Hand-Smoothed Painted White
Interior Treatment: White Porcelain Enamel
Faucet Included: No
Shape: Oval
Tub Overflow: Yes
Tub Material: Cast Iron
Tub Interior Length: 40"
Tub Interior Width: 17"
Feet Type: Ball & Claw
Tap Deck: Yes
Faucet Drillings: Tap Deck - 7" Rim Holes
Water Capacity (Gallons): 45
Built-In Adjusters: Yes
Tub Weight Uncrated (lbs): 359

REVISED 3/28/2023

61" CALLAWAY CAST IRON CLAWFOOT TUB 7" RIM HOLES - BALL & CLAW FEET

SKU: 946145-61-RH

Code: SH106470, SH475636, SH106471, SH475638, SH106482, SH475640, SH217628, SH475642, SH416301, SH475888



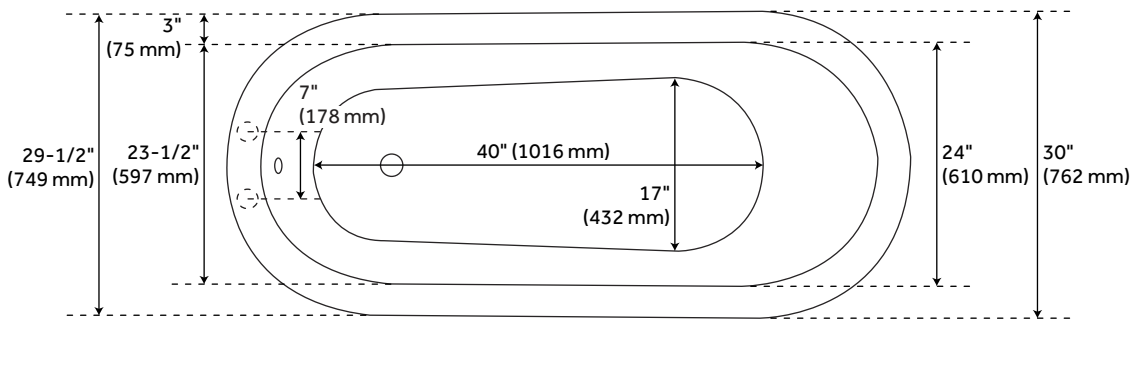
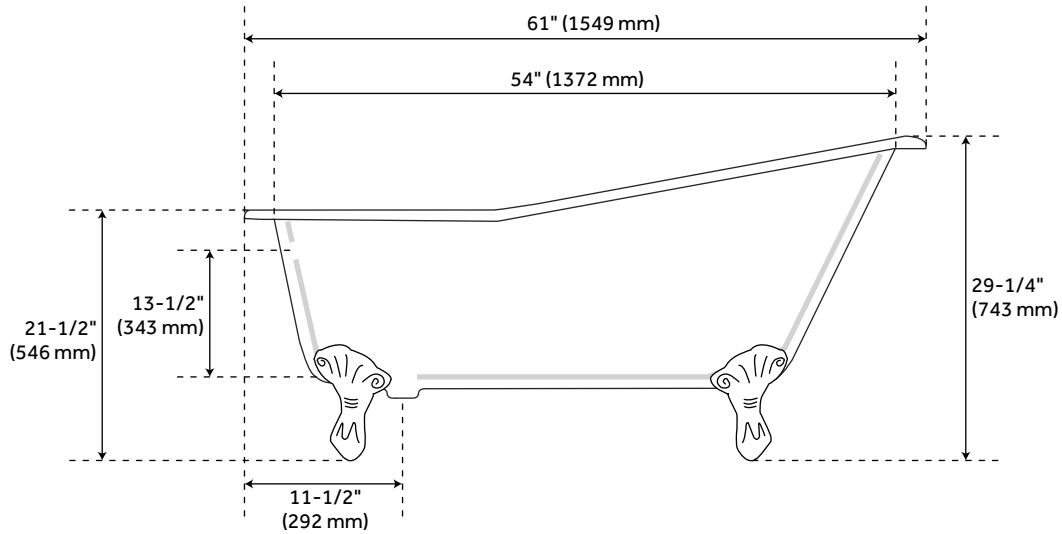
ADDITIONAL FEATURES

- Overflow Drain will include: Extended Pop-Up Drain with Swivel Head, a Daisy Wheel overflow, which remain open to allow water into the drain.
- If drain is selected, the drain finish will match the feet.
- White feet are powder coat over cast iron. All other finishes made of plated solid brass.
- Note: Due to the height of this tub, must use a Shallow Floor Flange when installing your tub drain.

REVISED 3/28/2023

61" CALLAWAY CAST IRON CLAWFOOT TUB - 7" RIM HOLES - BALL & CLAW FEET

SKU: 946145-61-RH



All dimensions and specifications are nominal and may vary. Use actual products for accuracy in critical situations.