

ERICA CAST IRON CLAWFOOT SLIPPER TUB - BALL & CLAW FEET

SKU: 946149-57-RR

Code: SH144834, SH475651, SH144836, SH475652, SH144837, SH475653, SH215714, SH475815, SH416305, SH475889



FEATURES

Design: Traditional
Product Finish: White
Length: 57"
Width: 30"
Height: 30"
Water Depth To Overflow: 13-1/2"
Exterior Treatment: Hand-Smoothed Painted White
Interior Treatment: White Porcelain Enamel
Faucet Included: No
Shape: Oval
Tub Overflow: Yes
Tub Material: Cast Iron
Tub Interior Length: 37"
Tub Interior Width: 16-1/2"
Feet Type: Ball & Claw
Tap Deck: No
Faucet Drillings: Roll Top - No Drillings
Water Capacity (Gallons): 35
Built-In Adjusters: Yes
Tub Weight Uncrated (lbs): 323
Tub Weight Crated (lbs): 423

REVISED 3/28/2023

ERICA CAST IRON CLAWFOOT SLIPPER TUB - BALL & CLAW FEET

SKU: 946149-57-RR

Code: SH144834, SH475651, SH144836, SH475652, SH144837, SH475653, SH215714, SH475815, SH416305, SH475889



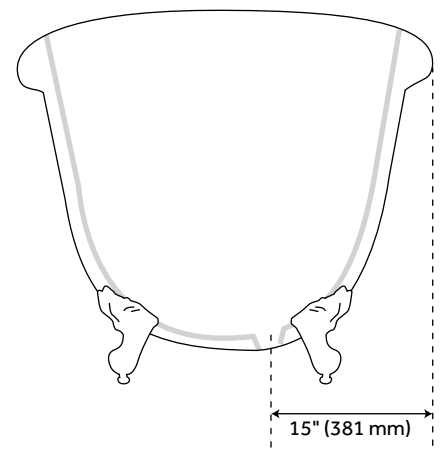
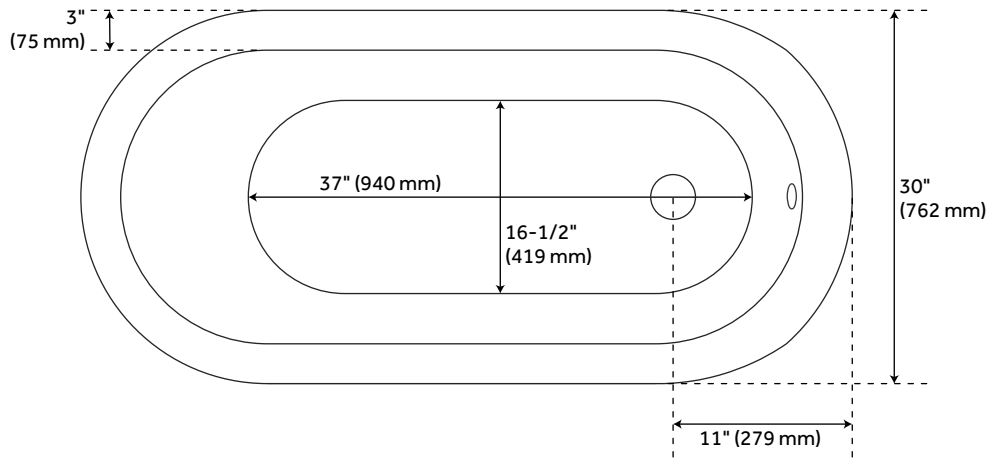
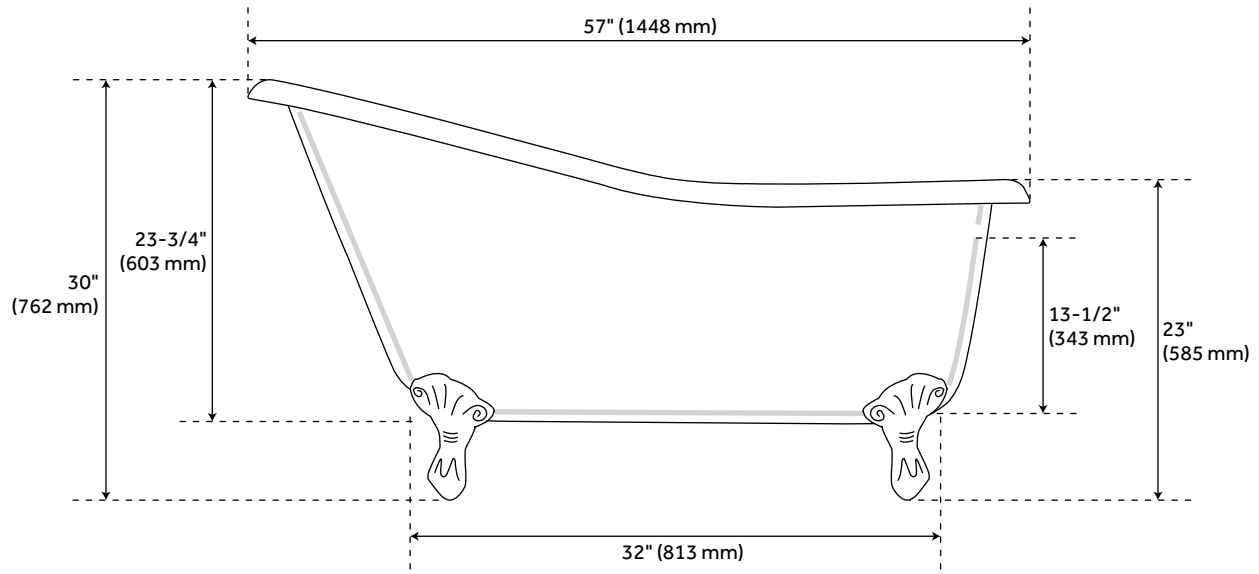
ADDITIONAL FEATURES

- Feet are made of plated solid brass.
- Note: Must be used with the Shallow Floor Flange for waste and overflow.
- Overflow Drain will include: Extended Pop-Up Drain with Swivel Head, a Daisy Wheel overflow, which remain open to allow water into the drain.
- If drain is selected, the drain finish will match the feet.

REVISED 3/28/2023

57" ERICA CAST IRON CLAWFOOT SLIPPER TUB - BALL & CLAW FEET

SKU: 946149-57-RR



All dimensions and specifications are nominal and may vary. Use actual products for accuracy in critical situations.