

# 57" ERICA CAST IRON CLAWFOOT TUB - IMPERIAL FEET

SKU: 946150-57-RR

Code: SH144838, SH475654, SH144839, SH475655, SH144840, SH475656, SH144841, SH475657, SH215195, SH475658, SH416299, SH475886



## FEATURES

Design: Traditional  
Product Finish: White  
Length: 57"  
Width: 30"  
Height: 30"  
Water Depth To Overflow: 13-1/2"  
Exterior Treatment: Hand-Smoothed Painted White  
Interior Treatment: White Porcelain Enamel  
Faucet Included: No  
Shape: Oval  
Tub Overflow: Yes  
Tub Material: Cast Iron  
Tub Interior Length: 37"  
Tub Interior Width: 16-1/2"  
Feet Type: Imperial  
Tap Deck: No  
Faucet Drillings: Roll Top - No Drillings  
Water Capacity (Gallons): 35  
Built-In Adjusters: Yes  
Tub Weight Uncrated (lbs): 316  
Tub Weight Crated (lbs): 416

REVISED 3/28/2023

# 57" ERICA CAST IRON CLAWFOOT TUB - IMPERIAL FEET

SKU: 946150-57-RR

Code: SH144838, SH475654, SH144839, SH475655, SH144840, SH475656, SH144841, SH475657, SH215195, SH475658, SH416299, SH475886



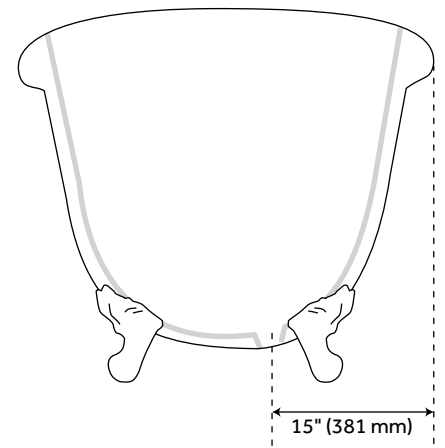
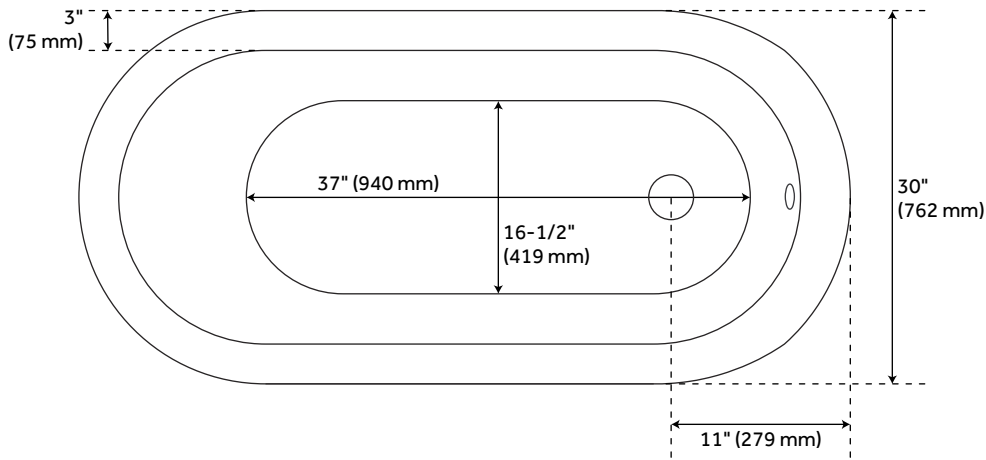
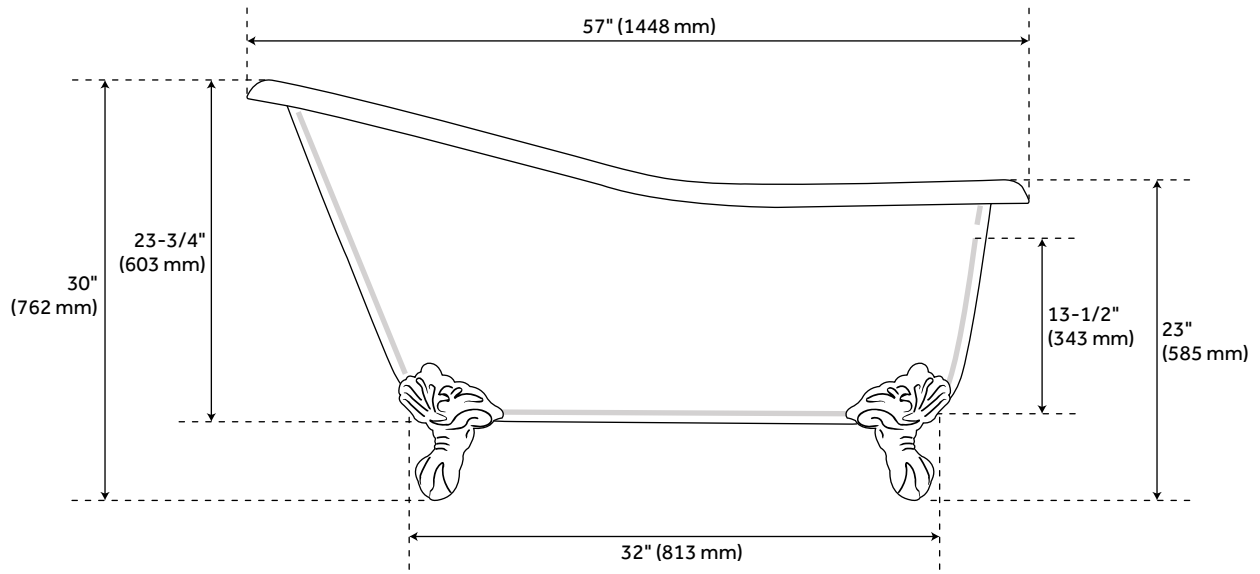
## ADDITIONAL FEATURES

- Feet are made of plated solid brass.
- Note: Must be used with the Shallow Floor Flange for waste and overflow.
- Overflow Drain will include: Extended Pop-Up Drain with Swivel Head, a Daisy Wheel overflow, which remain open to allow water into the drain.
- If drain is selected, the drain finish will match the feet.

REVISED 3/28/2023

# 57" ERICA CAST IRON CLAWFOOT TUB - IMPERIAL FEET

SKU: 946150-57-RR



All dimensions and specifications are nominal and may vary. Use actual products for accuracy in critical situations.