

54" MIYA CAST IRON ROLL-TOP CLAWFOOT TUB WITH TAP DECK AND 7" RIM HOLES - BALL & CLAW FEET

SKU: 946166-54-RH

Code: SH307186, SH475724, SH307187, SH475725, SH307188, SH475726, SH307189, SH475727, SH307190, SH475728



FEATURES

Design: Traditional
Product Finish: White
Length: 54"
Width: 30-1/4"
Height: 24"
Water Depth To Overflow: 12"
Exterior Treatment: Hand-Smoothed Painted White
Interior Treatment: White Porcelain Enamel
Faucet Included: No
Shape: Specialty
Feet Material: Cast Iron
Tub Overflow: Yes
Tub Material: Cast Iron
Tub Interior Length: 31-1/2"
Tub Interior Width: 18"
Feet Type: Ball & Claw
Tap Deck: Yes
Faucet Drillings: Tap Deck - 7" Rim Holes
Water Capacity (Gallons): 29
Built-In Adjusters: Yes
Tub Weight Uncrated (lbs): 272

REVISED 3/28/2023

54" MIYA CAST IRON ROLL-TOP CLAWFOOT TUB WITH TAP DECK AND 7" RIM HOLES - BALL & CLAW FEET

SKU: 946166-54-RH

Code: SH307186, SH475724, SH307187, SH475725, SH307188, SH475726, SH307189, SH475727, SH307190, SH475728



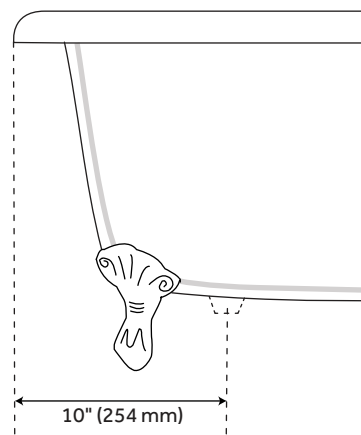
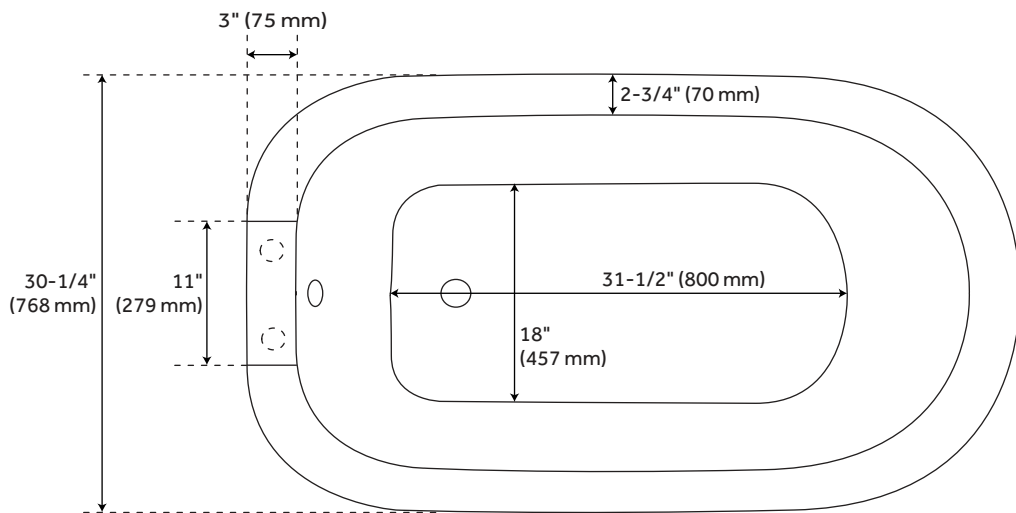
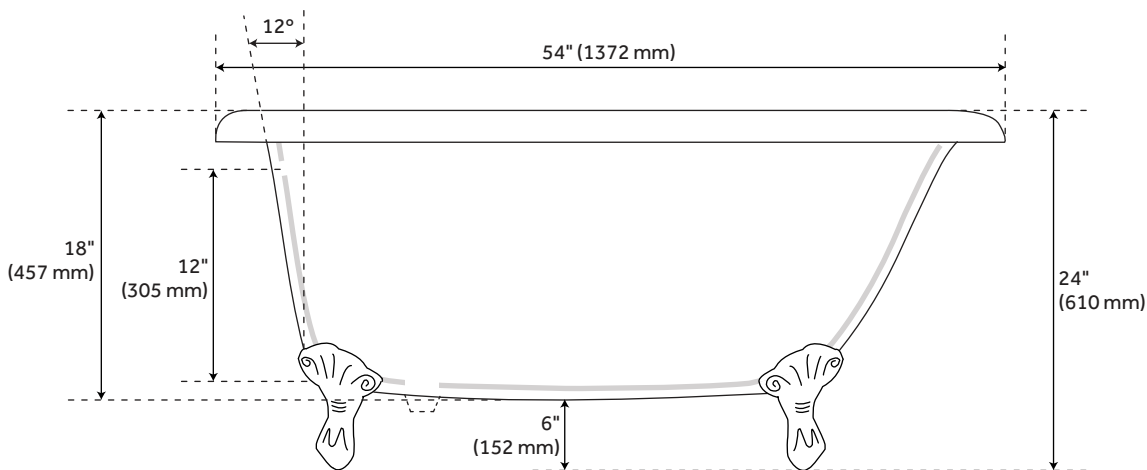
ADDITIONAL FEATURES

- Overflow Drain will include: Extended Pop-Up Drain with Swivel Head, a Daisy Wheel overflow, which remain open to allow water into the drain.
- If drain is selected, the drain finish will match the feet.

REVISED 3/28/2023

54" MIYA CAST IRON ROLL-TOP CLAWFOOT TUB - TAP DECK - 7" TAP HOLES - BALL & CLAW FEET

SKU: 946166-54-RH



All dimensions and specifications are nominal and may vary. Use actual products for accuracy in critical situations.