

66" MIYA CAST IRON ROLL-TOP CLAWFOOT TUB - TAP DECK - NO TAP HOLES - BALL & CLAW

SKU: 946166-66-T

Code: SH307211, SH475744, SH307212, SH475745, SH307213, SH475746, SH307214, SH475747, SH307215, SH475748



FEATURES

Design: Traditional
Product Finish: White
Length: 66"
Width: 30-1/4"
Height: 25-3/4"
Water Depth To Overflow: 14-1/4"
Exterior Treatment: Hand-Smoothed Painted White
Interior Treatment: White Porcelain Enamel
Faucet Included: No
Shape: Specialty
Feet Material: Cast Iron
Tub Overflow: Yes
Tub Material: Cast Iron
Tub Interior Length: 43"
Tub Interior Width: 16"
Feet Type: Ball & Claw
Tap Deck: Yes
Faucet Drillings: Roll Top - No Drillings
Water Capacity (Gallons): 42
Built-In Adjusters: Yes
Tub Weight Uncrated (lbs): 300

REVISED 3/28/2023

66" MIYA CAST IRON ROLL-TOP CLAWFOOT TUB - TAP DECK - NO TAP HOLES - BALL & CLAW

SKU: 946166-66-T

Code: SH307211, SH475744, SH307212, SH475745, SH307213, SH475746, SH307214, SH475747, SH307215, SH475748



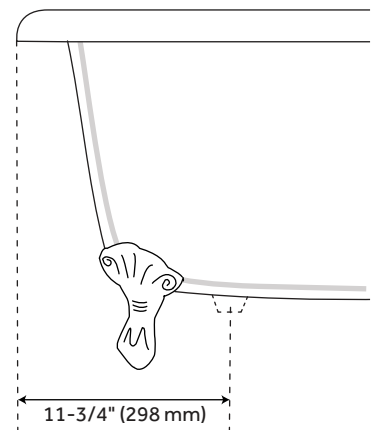
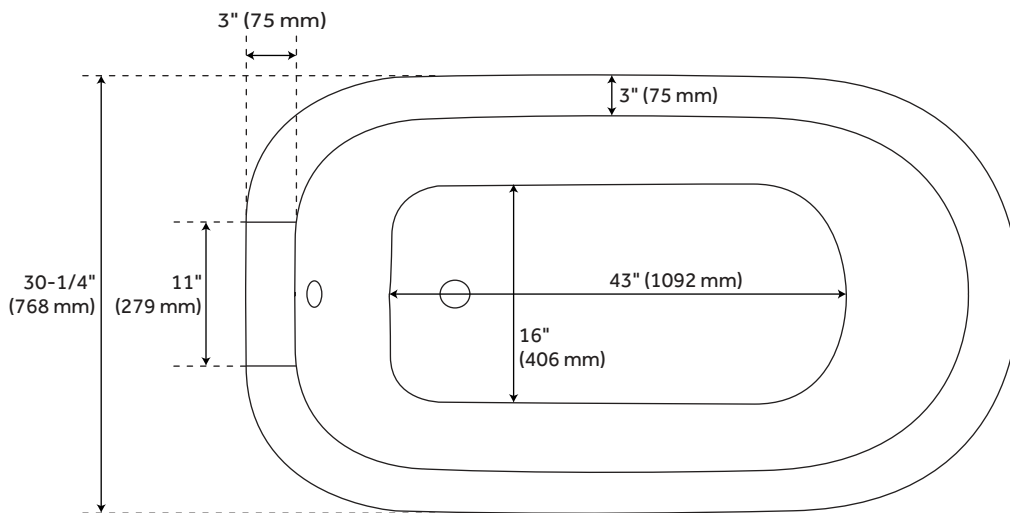
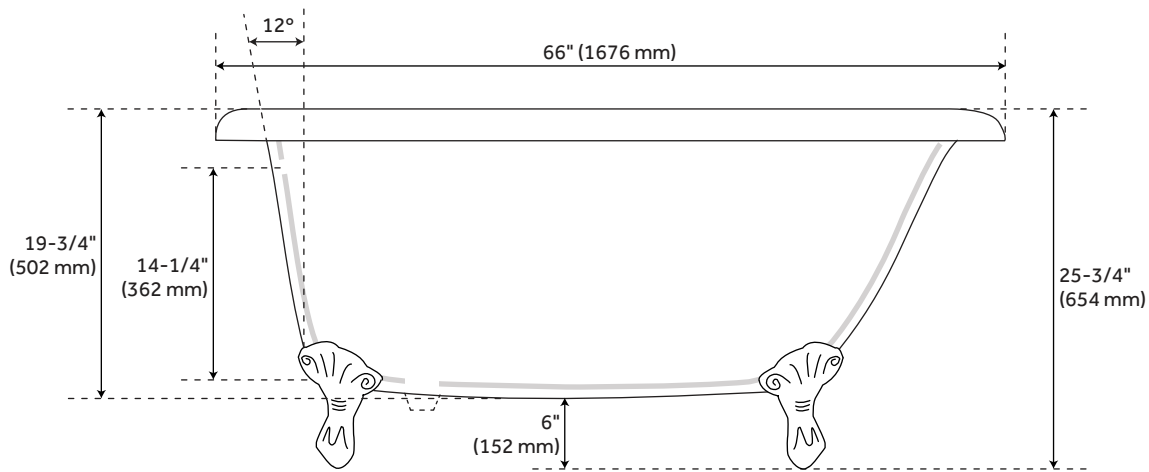
ADDITIONAL FEATURES

- Overflow Drain will include: Extended Pop-Up Drain with Swivel Head, a Daisy Wheel overflow, which remain open to allow water into the drain.
- If drain is selected, the drain finish will match the feet.

REVISED 3/28/2023

66" MIYA CAST IRON ROLL-TOP CLAWFOOT TUB - TAP DECK - NO TAP HOLES - BALL & CLAW FEET

SKU: 946166-66-T



All dimensions and specifications are nominal and may vary. Use actual products for accuracy in critical situations.