

PINECREST PRESSURE BALANCE SHOWER VALVE - LEVER HANDLE

SKU: 946625

Code: SHPC8010LH, SHPCLEV, SH4001



FEATURES

Installation Type: Wall Mount

Features: Pressure-Balanced

Design: Traditional

Base Plate Height: 6-11/16"

Assembly Required: No

Handle Type: Lever

Base Plate Width: 6-11/16"

Valve Trim Width: 6-11/16"

Valve Trim Height: 6-11/16"

ASME A112.18.1/CSA B125.1

ASSE 1016 Type P

REVISED 3/29/2023

PINECREST PRESSURE BALANCE SHOWER VALVE - LEVER HANDLE

SKU: 946625

Code: SHPC8010LH, SHPCLEV, SH4001



ADDITIONAL FEATURES

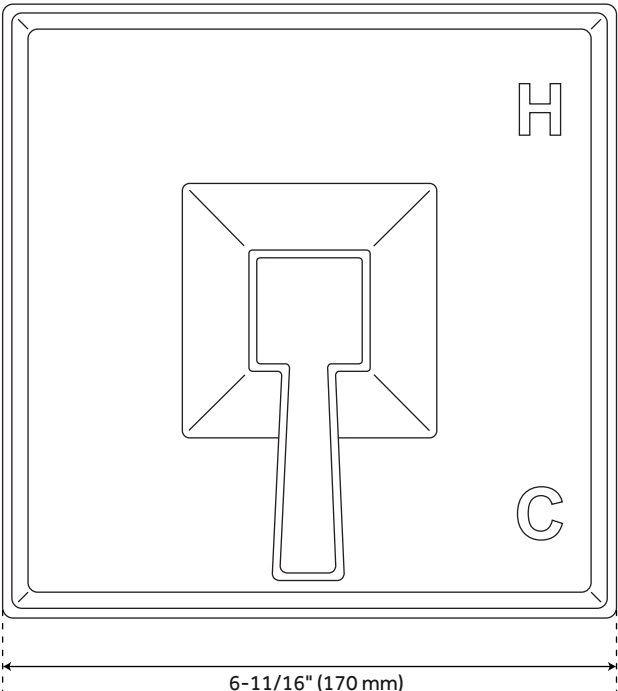
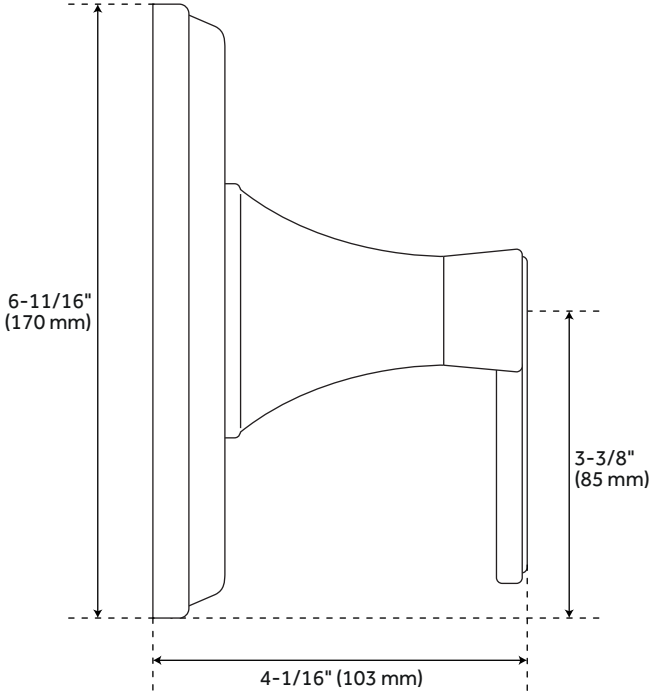
[[[u_list|Metal handle.|Optional Rough-in Valve: [[[u_list|Pressure balance valve with integral stops.|One-piece cartridge design for ease of maintenance.|Back-to-back capability.|Ceramic disc valve cartridge.|Cast bronze valve body.|Adjustable temperature limit stop.|Quick remove plaster guard.|Easy mounting brackets.u_list]]]]

REVISED 3/29/2023

PINECREST PRESSURE BALANCE SHOWER VALVE - LEVER HANDLE

SKU: 946625

SHpsc8010LH, SHPCBLEV

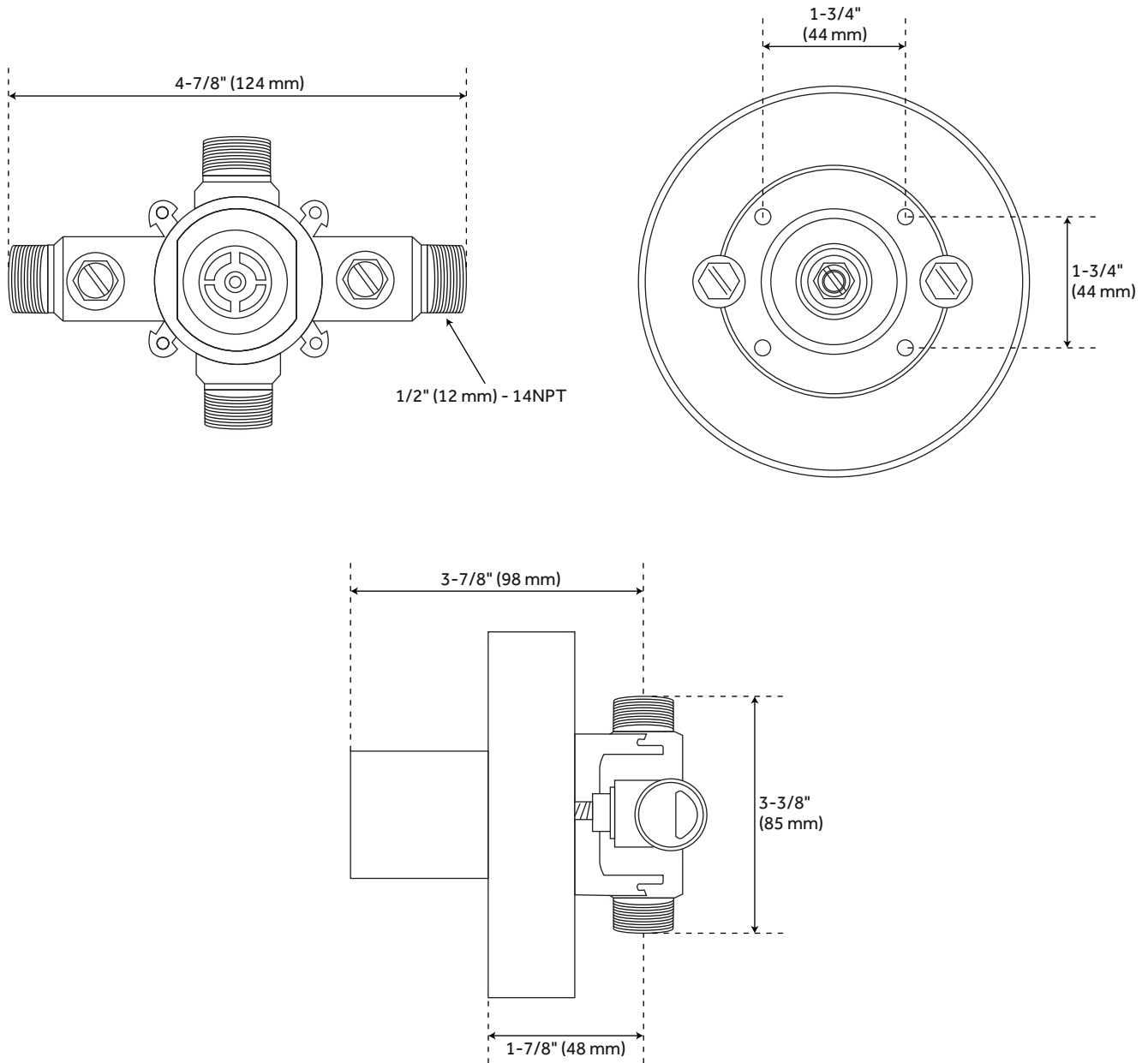


All dimensions and specifications are nominal and may vary. Use actual products for accuracy in critical situations.

PINECREST OPTIONAL PRESSURE BALANCE TUB & SHOWER ROUGH-IN VALVE

SKU: 946625

SH4001



All dimensions and specifications are nominal and may vary. Use actual products for accuracy in critical situations.