

PINECREST FREESTANDING TUB FAUCET WITH HAND SHOWER

SKU: 946629

Code: SHPCFS2000G, SHFSR2000



FEATURES

Material: Metal construction for strength and durability

Installation Type: Freestanding

Flow Rate: 10.7 gpm (39.8 L/min) @ 80 psi

Hand Shower Flow Rate: 1.8 gpm (6.8 L/min) @ 80 psi

Spray Type: Full

Cartridge Type: Ceramic Disc

Swivel Spout: No

Required for Installation: Rough-in valve: SHFSR2000 or SHFSR2000WS

ASME A112.18.1/CSA B125.1, ASSE 1016 Type P/T, WaterSense by IAPMO, LISTED ID: SHPCFS2000G*, SHFSR2000



ADDITIONAL FEATURES

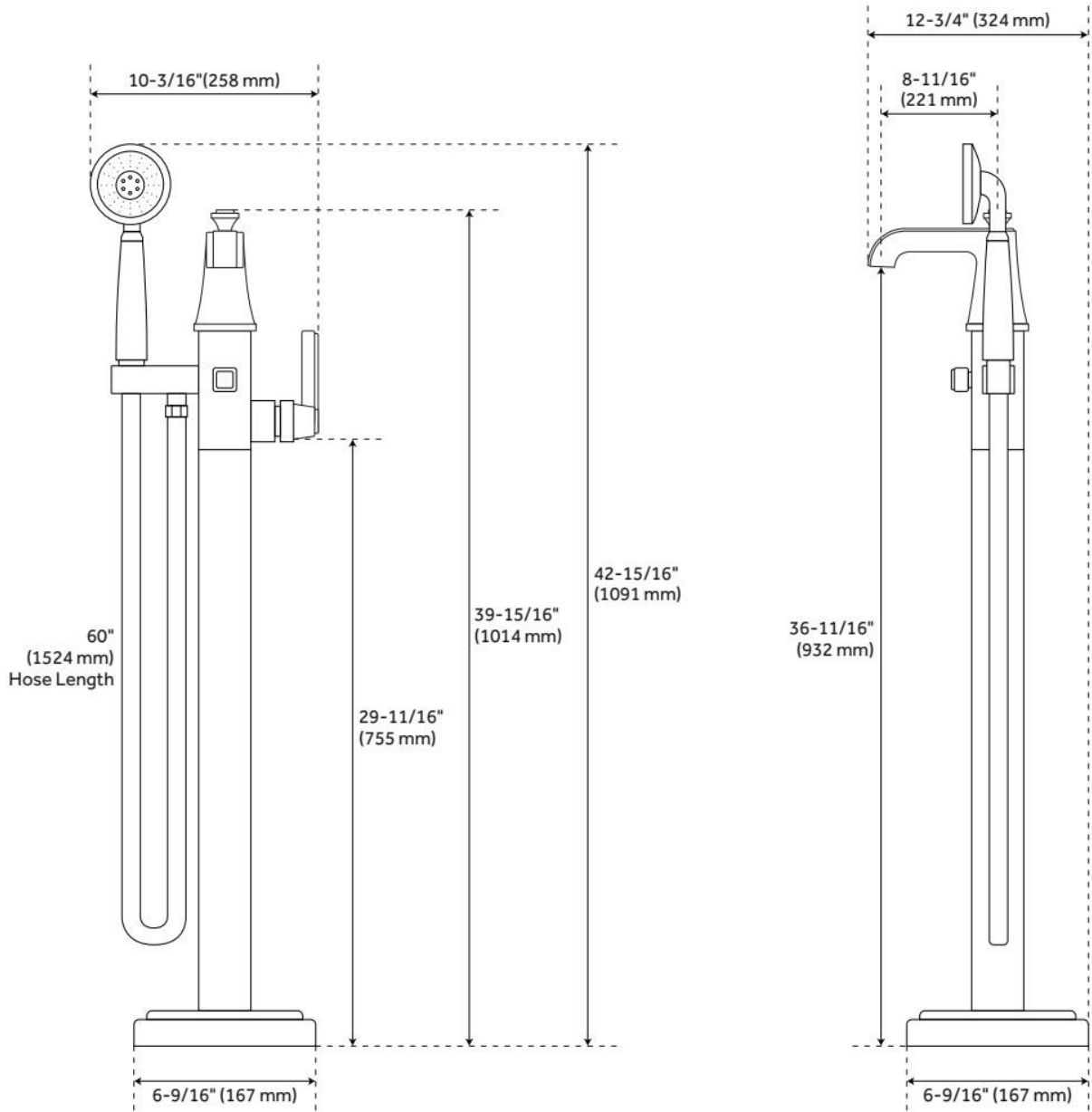
- Hand shower has a flow rate of 1.8 gpm (gallons per minute).
- Underfloor access is required for proper installation. Installation on a concrete slab will require cutting and concrete removal.

REVISED 5/15/2024

PINECREST FREESTANDING TUB FAUCET WITH HAND SHOWER

SKU: 946629

Code: SHPCFS2000G, SHFSR2000



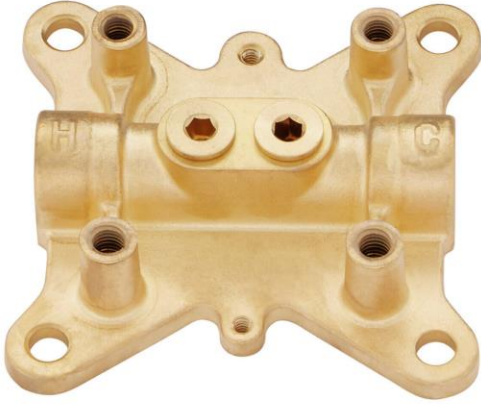
REVISED 5/15/2024

FREESTANDING TUB FAUCET ROUGH-IN VALVE

SKU: 446521
Code: SHFSR2000

FEATURES

Material: Metal construction for strength and durability



ASME A112.18.1/CSA B125.1, Massachusetts Accepted, LISTED ID: SHFSR2000



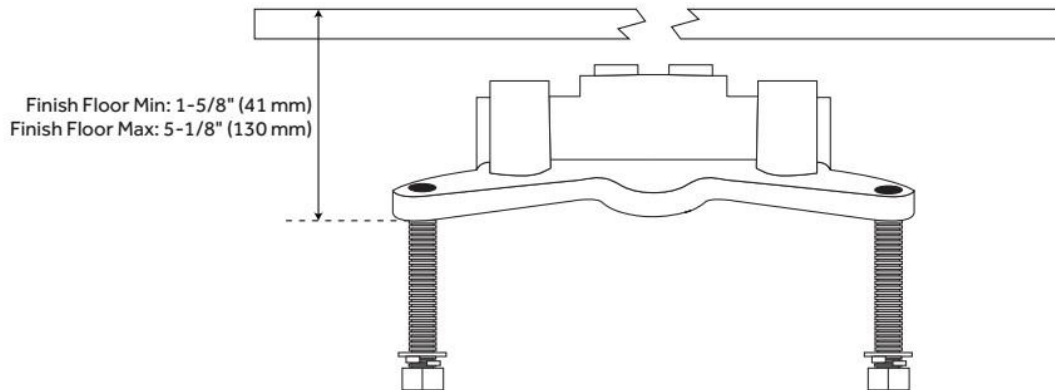
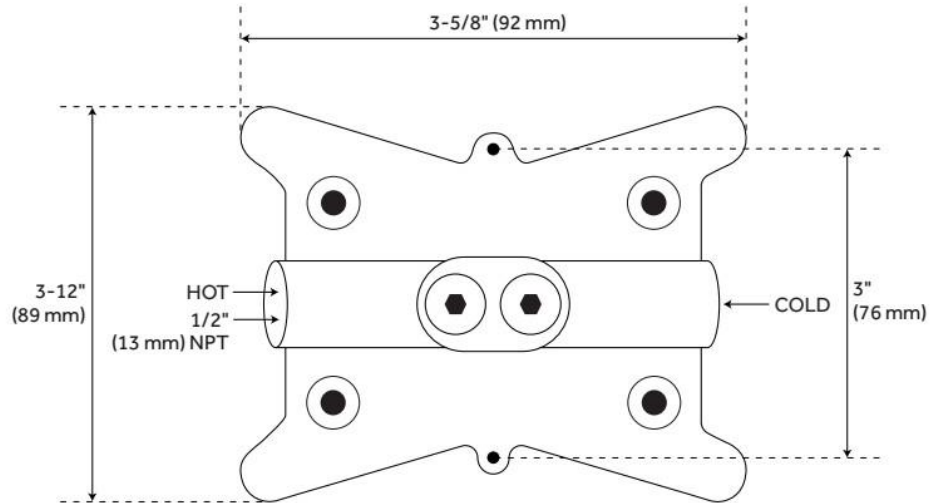
ADDITIONAL FEATURES

- Not compatible with Ryle, Napier, Keswick, Copper and Cybelle Freestanding Tub Faucets.

REVISED 5/15/2024

FREESTANDING TUB FAUCET ROUGH-IN VALVE

SKU: 446521
Code: SHFSR2000



REVISED 5/15/2024