

# ANGLE STOP WITH OVAL HANDLE - 1/2" X 3/8"

SKU: 948018  
Code: SH201

## FEATURES

Material: Brass  
Fits Drain Hole Size: 1/2"



NSF/ANSI/CAN 61-9:Q≤1, LISTED ID: SH201\*\*



## ADDITIONAL FEATURES

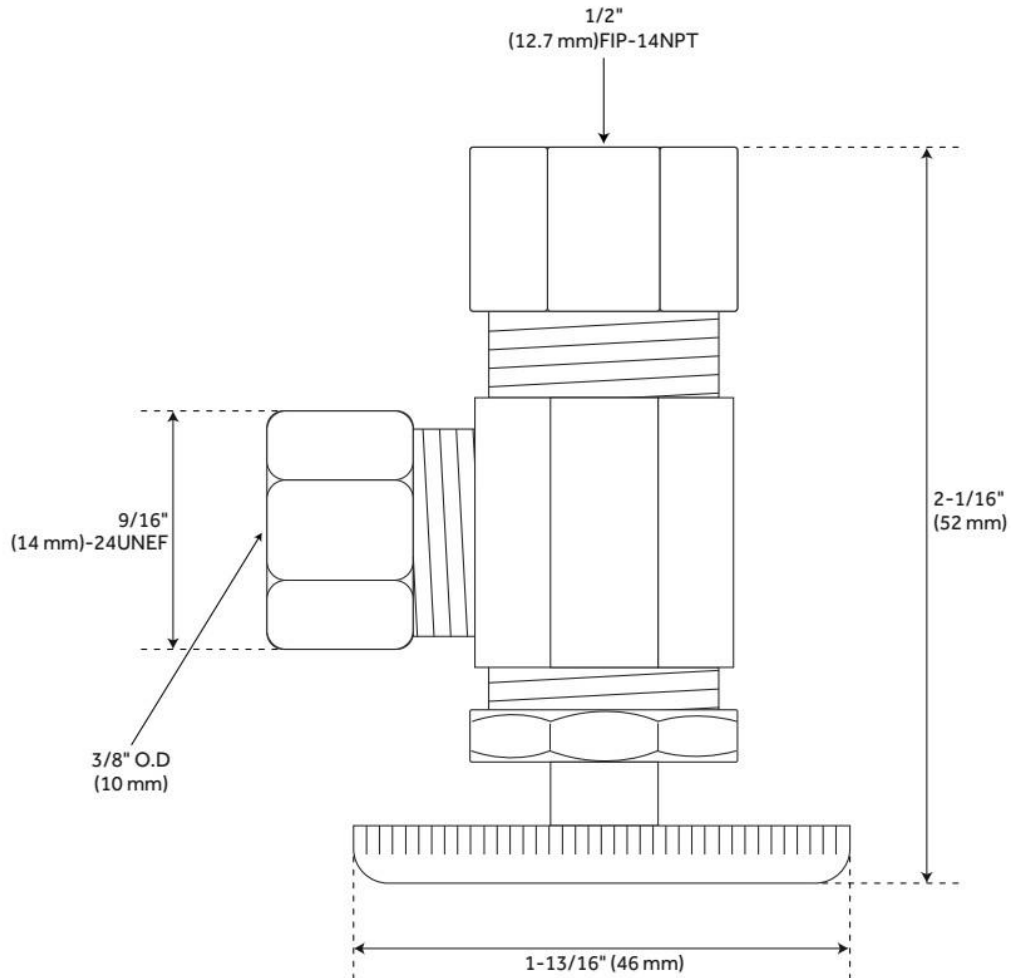
- 1/2" IPS X 3/8" O.D. connections.
- Stop valve features a solid brass body and a zinc handle.

REVISED 7/10/2024

# ANGLE STOP WITH OVAL HANDLE - 1/2" X 3/8"

SKU: 948018

Code: SH201



REVISED 7/10/2024