

ANGLE STOP WITH OVAL HANDLE - 5/8" X 3/8"

SKU: 948019

Code: SH203, SH484076, SH489027

FEATURES

Material: Brass



ASME A112.18.1/CSA B125.1, NSF/ANSI 372, NSF/ANSI 61, NSF/ANSI/CAN 61, NSF/ANSI/CAN 61-9:Q≤1, Massachusetts Accepted, LISTED ID: SH203**



ADDITIONAL FEATURES

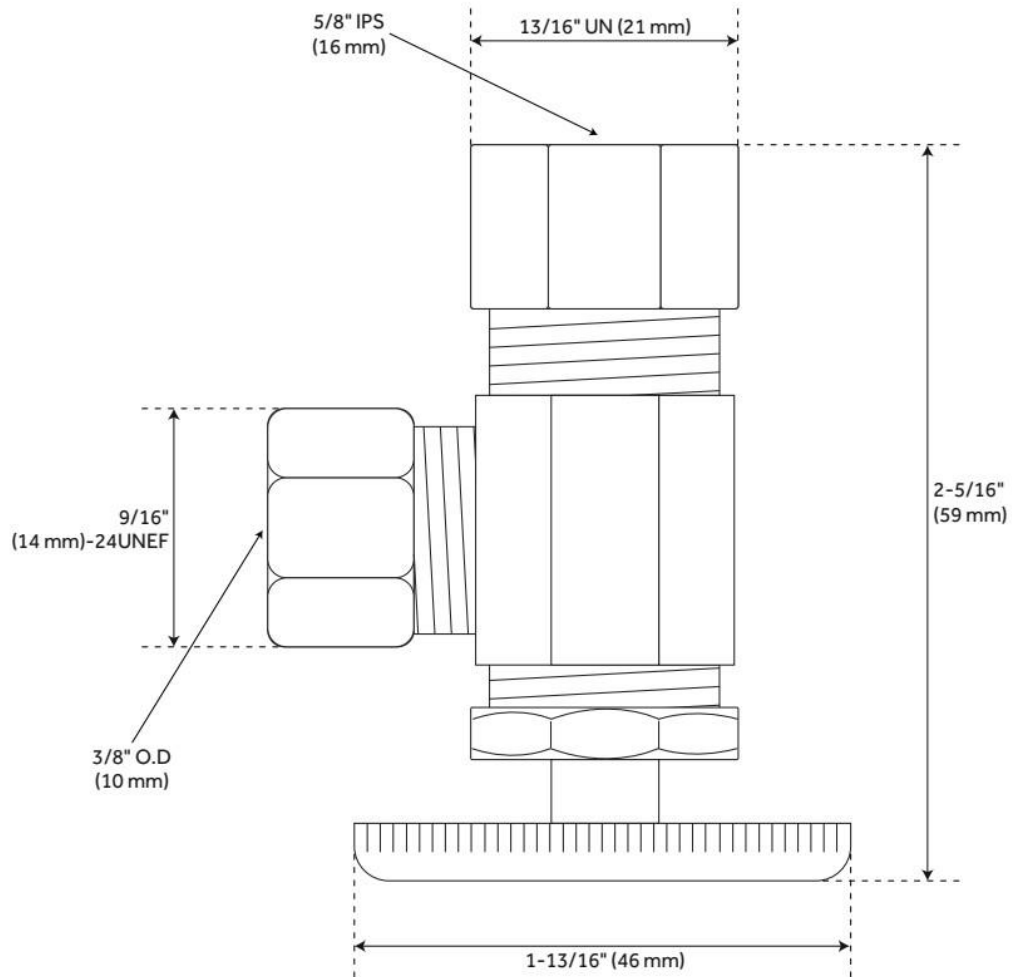
- 5/8" IPS x 3/8" O.D. connections.
- Stop valve features a solid brass body and a zinc handle.

REVISED 7/9/2024

ANGLE STOP WITH OVAL HANDLE - 5/8" X 3/8"

SKU: 948019

Code: SH203, SH484076, SH489027



REVISED 7/9/2024