

ANGLE STOP WITH OVAL HANDLE - 5/8" X 3/8"

SKU: 948019

Code: SH203, SH484076, SH489027

FEATURES

Material: Brass
Handle Type: Knob
OD (Outside Diameter): 3/8"
IPS: 5/8"



ASME A112.18.1/CSA B125.1

NSF/ANSI 372

NSF/ANSI 61

NSF/ANSI/CAN 61

Massachusetts Accepted

REVISED 2/2/2024

ANGLE STOP WITH OVAL HANDLE - 5/8" X 3/8"

SKU: 948019

Code: SH203, SH484076, SH489027



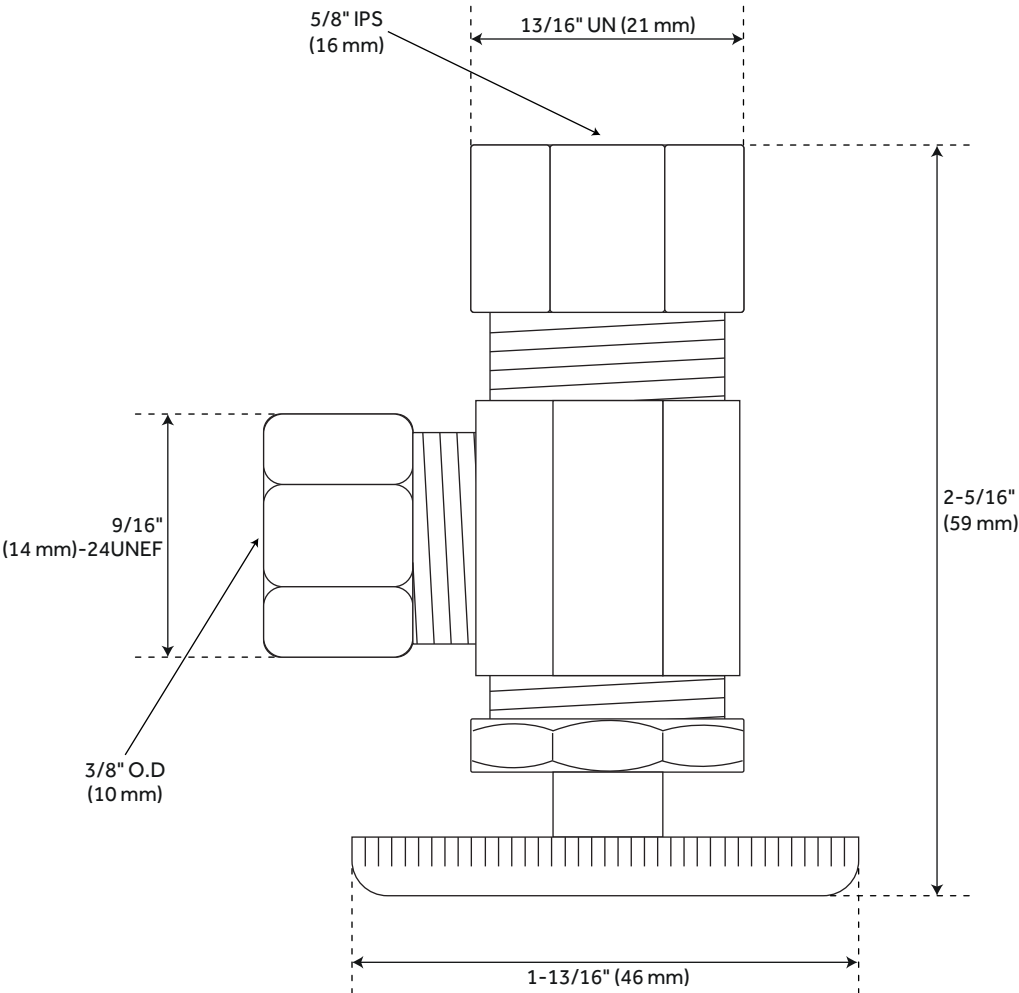
ADDITIONAL FEATURES

- 5/8" IPS x 3/8" O.D. connections.
- Stop valve features a solid brass body and a zinc handle.

REVISED 2/2/2024

ANGLE STOP WITH OVAL HANDLE - 5/8" X 3/8"

SKU: 948019
SH203



All dimensions and specifications are nominal and may vary. Use actual products for accuracy in critical situations.