

TOILET SUPPLY KIT WITH 1/2" OD X 3/8" OD ANGLE STOP

SKU: 948021
Code: SH208

FEATURES

Material: Brass
Length: 2-3/8"
Width: 6-3/4"
Height: 2-3/8"



REVISED 3/29/2023

TOILET SUPPLY KIT WITH 1/2" OD X 3/8" OD ANGLE STOP

SKU: 948021

Code: SH208



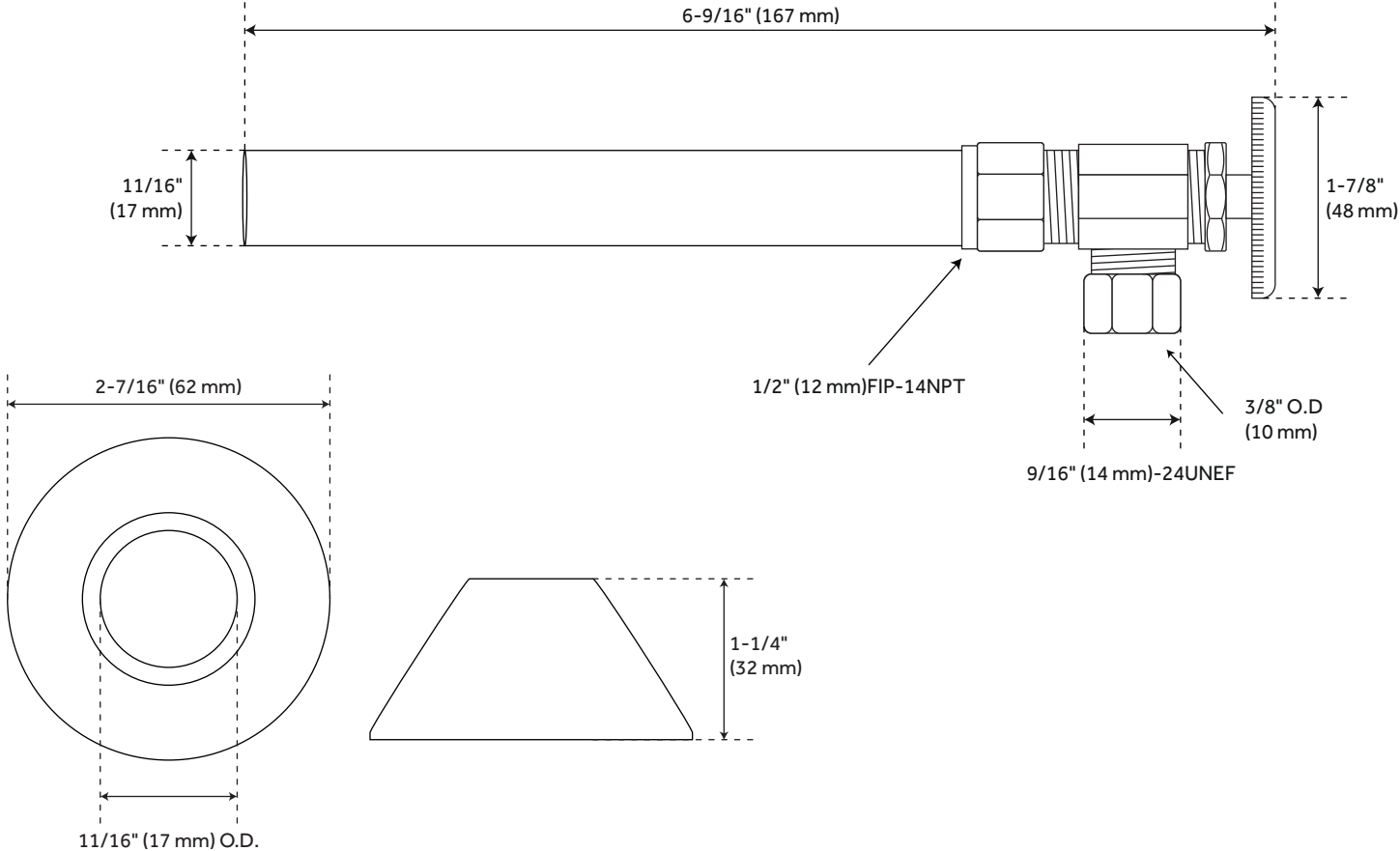
ADDITIONAL FEATURES

- 1/2" Sweat X 3/8" O.D. compression straight stop.
- 5/8" O.D. bell flange.
- Stop valve features a solid brass body and a zinc handle.
- Flange Diameter (Outside): 2-7/16".

REVISED 3/29/2023

TOILET SUPPLY KIT WITH 1/2" OD X 3/8" OD ANGLE STOP

SKU: 948021
SH208



All dimensions and specifications are nominal and may vary. Use actual products for accuracy in critical situations.