

BATHROOM SUPPLY KIT WITH 5/8" OD X 3/8" OD ANGLE STOP

SKU: 948023

Code: SH231, SH484074, SH489025, SH489032, SH489033

FEATURES

Material: Metal

Weight: 1



ASME A112.18.1/CSA B125.1

NSF/ANSI 372

NSF/ANSI 61

NSF/ANSI/CAN 61

Massachusetts Accepted

REVISED 2/28/2024

BATHROOM SUPPLY KIT WITH 5/8" OD X 3/8" OD ANGLE STOP

SKU: 948023

Code: SH231, SH484074, SH489025, SH489032, SH489033



ADDITIONAL FEATURES

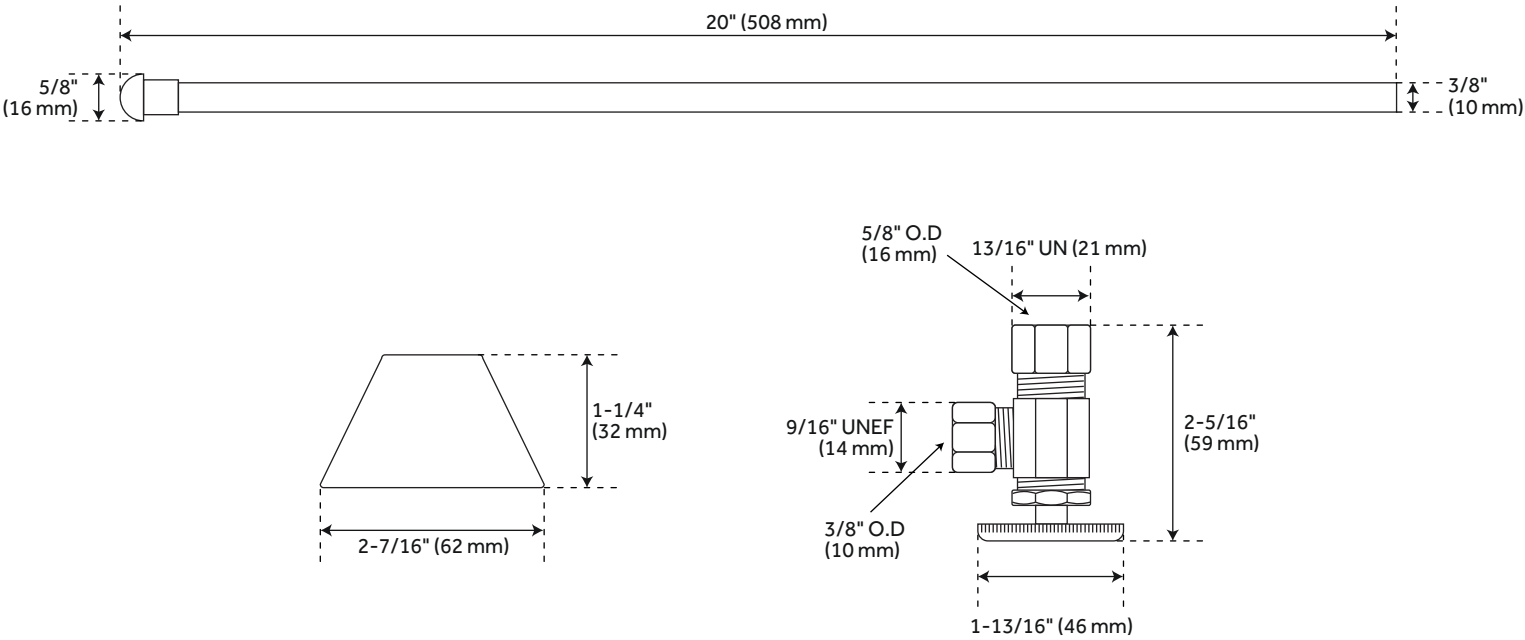
- 3/8" x 20" Bull nose rigid supply tubes.
- 5/8" O.D Flange.
- 5/8" O.D Compression x 3/8" O.D Compression angle stop.

REVISED 2/28/2024

BATHROOM SUPPLY KIT WITH 5/8" OD X 3/8" OD ANGLE STOP

SKU: 948023

SH231



All dimensions and specifications are nominal and may vary. Use actual products for accuracy in critical situations.