

60" X 32" SITKA ACRYLIC DROP-IN WHIRLPOOL TUB - WHITE

SKU: 948052-WP
Code: SHSKW6032



FEATURES

Design: Modern
Product Finish: White
Material: acrylic
Length: 60"
Width: 32"
Height: 19-1/2"
Overflow Hole: Yes
Water Depth To Overflow: 14-1/2"
Interior Treatment: Smooth
Faucet Included: No
Shape: Rectangle
Tub Overflow: Yes
Tub Material: Acrylic
Tub Interior Length: 45-1/2"
Tub Interior Width: 23-1/4"
Tap Deck: No
Faucet Drillings: No Drillings
Tub Weight Uncrated (lbs): 97
Tub Weight Crated (lbs): 207
Blower: Yes
Jet Color: White
On/Off Switch: Yes

REVISED 6/5/2023

60" X 32" SITKA ACRYLIC DROP-IN WHIRLPOOL TUB - WHITE

SKU: 948052-WP
Code: SHSKW6032

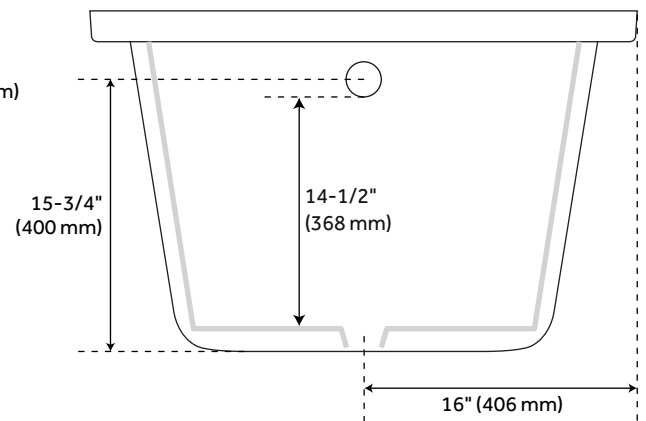
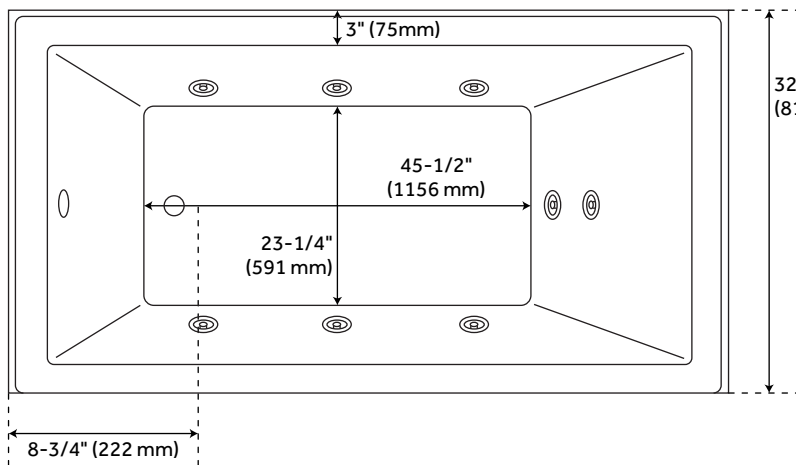
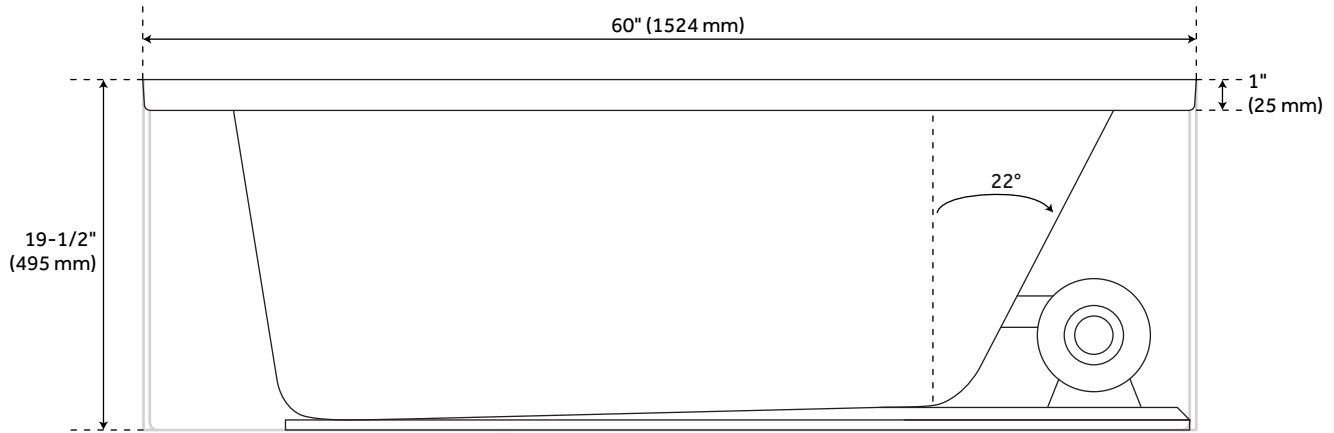


ADDITIONAL FEATURES

- All dimensions ($\pm 1/2"$).
- Can be installed for undermount applications.
- 53-gallon (200.6-Liters) operating capacity
- Textured slip-resistant bottom.
- Pre-leveled base.
- Cut out template included.
- A dual-mount design, this can be installed as a drop-in or undermount tub.
- Intuitive electronic control pad.
- Whirlpool - 8 Strategically placed air jets move water with increased pressure for an invigorating bathing experience.
- Whirlpool system uses a powerful 1.75hp, 10.9 amp whirlpool pump.
- Safety Suction: Meets all requirements of durability and clog-resistance through standard testing.
- Optional Quick Connect Drop-In Drain Kit Includes:
 - Floor Plate, 1-1/2" PVC Pipe, 2" x 1-1/2" Trap Adapters, 1 Brass Threaded, 1 Brass Unthreaded Tailpiece and Plug.
 - Installs above your subfloor, but underneath your cement floor or tile, so you do not need access below the fixture.
- [ABS drain version available if needed for your installation.](#)

REVISED 6/5/2023

60" X 32" SITKA ACRYLIC DROP-IN WHIRLPOOL TUB



All dimensions and specifications are nominal and may vary. Use actual products for accuracy in critical situations.

60" X 32" SITKA ACRYLIC DROP-IN WHIRLPOOL TUB

SKU: 948052-WP
SHSKSW6032WH

COMPONENTS LIST

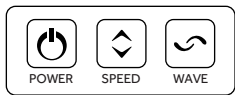
- Powerful whirlpool pump with variable flow device

INSTALLATION

- Whirlpool unit requires dedicated 20 Amp, 120V service
- You must provide a receptacle with a 20 Amp configuration
- Electrical outlet must be mounted 4" (101 mm) above the floor line and 12" max (305 mm) inside from the edge of the bathtub, or in accordance with local building and electrical codes

INTEGRATED CONTROL PANEL

- Intuitive electronic control buttons

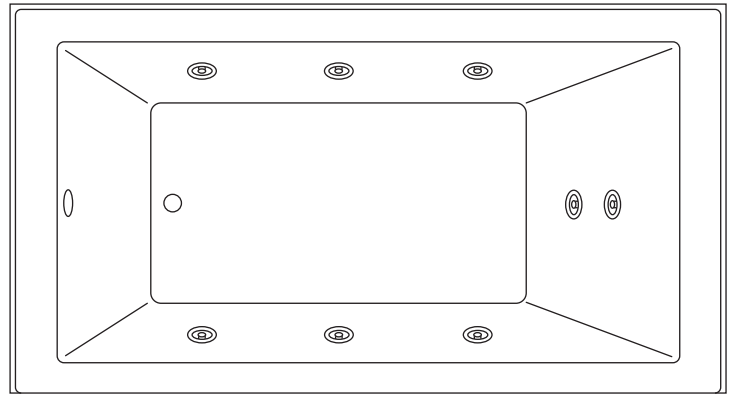


INSIDE OF BATH

- (8) HIGH-FLOW DIRECTIONAL AND VOLUME-ADJUSTABLE WHIRLPOOL JETS

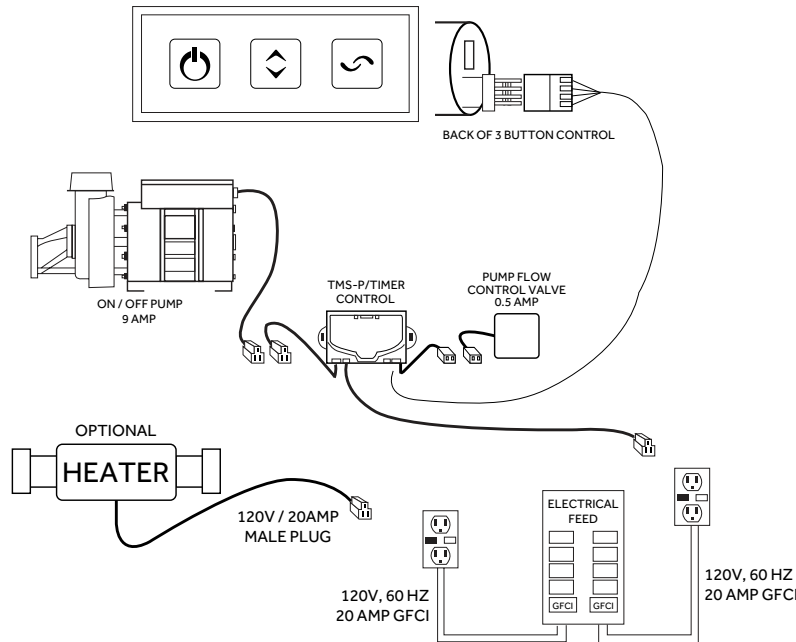


WHIRLPOOL JET



ELECTRICAL CONFIGURATIONS

WHIRLPOOL CIRCUIT WITH OPTIONAL HEATER



All dimensions and specifications are nominal and may vary. Use actual products for accuracy in critical situations.