

72" SHEBA ACRYLIC DOUBLE-SLIPPER TUB - AIR MASSAGE

SKU: 948064-AIR

Code: SH456357, SH462583



FEATURES

Tub Material: Acrylic
Product Finish: White
Shape: Oval
Tub Drain Placement: Center
Drain Included: Yes
Drain and Overflow Finish: White
Water Depth to Overflow: 15-3/8"
Water Capacity (Gallons): 65.25
Built-In Adjusters: Yes
Tub Weight Uncrated (lbs): 186
Optional Accessory: 428473

CSA B45.5/IAPMO Z124, Massachusetts Accepted, LISTED ID: SHSBFSODS7231x*



ADDITIONAL FEATURES

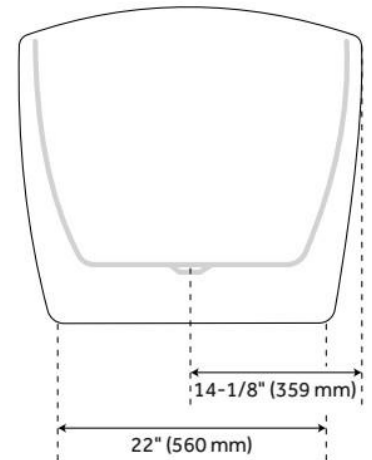
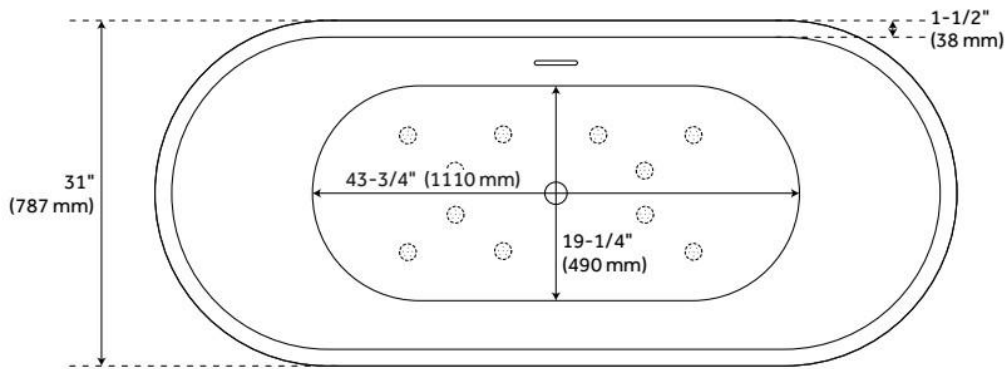
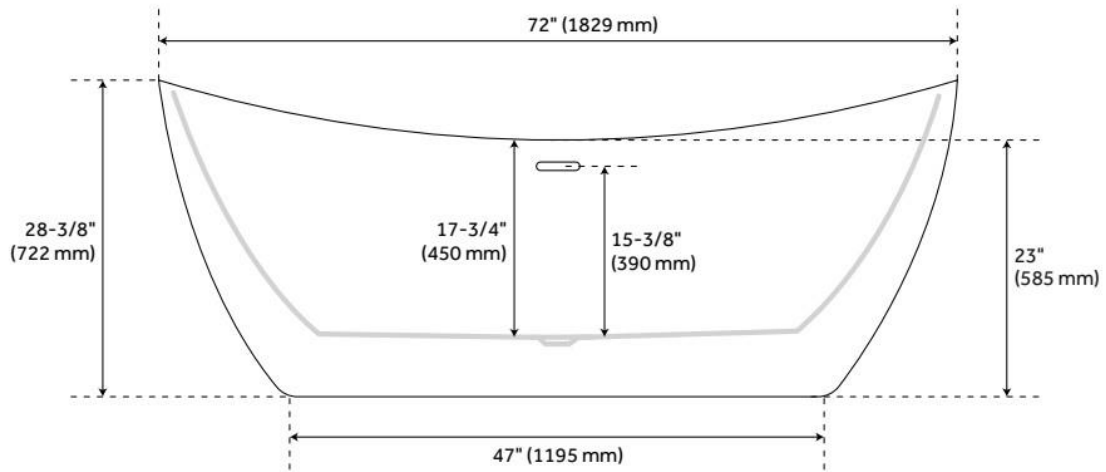
[[[u_list|All dimensions are ($\pm 1/2$ ").|Formed of two 3.8mm acrylic sheets, the air between acting as a thermal insulator.|Air tub features 12 air jets that massage and relax. Remote control works within 15-foot radius and is designed to float. Tub and air system come fully assembled.|Foam Insulation option: increases heat retention and prevents condensation due to water and air temperature fluctuations.|Optional Quick Connect Drop-In Drain Kit Includes:|[u_list|Floor Plate, 1-1/2" PVC Pipe, 2" x 1-1/2" Trap Adapters, 1 Brass Threaded, 1 Brass Unthreaded Tailpiece and Plug.|Installs above your subfloor, but underneath your cement floor or tile, so you do not need access below the fixture.u_list]]]

REVISED 7/1/2024

72" SHEBA ACRYLIC DOUBLE-SLIPPER TUB - AIR MASSAGE

SKU: 948064-AIR

Code: SH456357, SH462583



REVISED 7/1/2024

72" SHEBA ACRYLIC DOUBLE-SLIPPER TUB - AIR MASSAGE

SKU: 948064-AIR

Code: SH456357, SH462583

COMPONENTS LIST

- BM-TWP BALL CHECK VALVE JETS
- MANI-SD-A SECURITY DEVICE
- MAN-A-4-AC MANIFOLD
- SILVER SLS+ VARIABLE SPEED BLOWER

INSTALLATION

Install blower behind a wall (with an access panel) or in a closet. Blower can also be installed under floor. Ensure the security device, MANI-SD-A, is at least:

- 2" Above the tub rim

Security device and hose can be mounted in wall

REMOTE CONTROL

- CG+/RTC-SENSOR-WP
- 12 – 15 YEAR BATTERY LIFE

INSIDE OF BATH

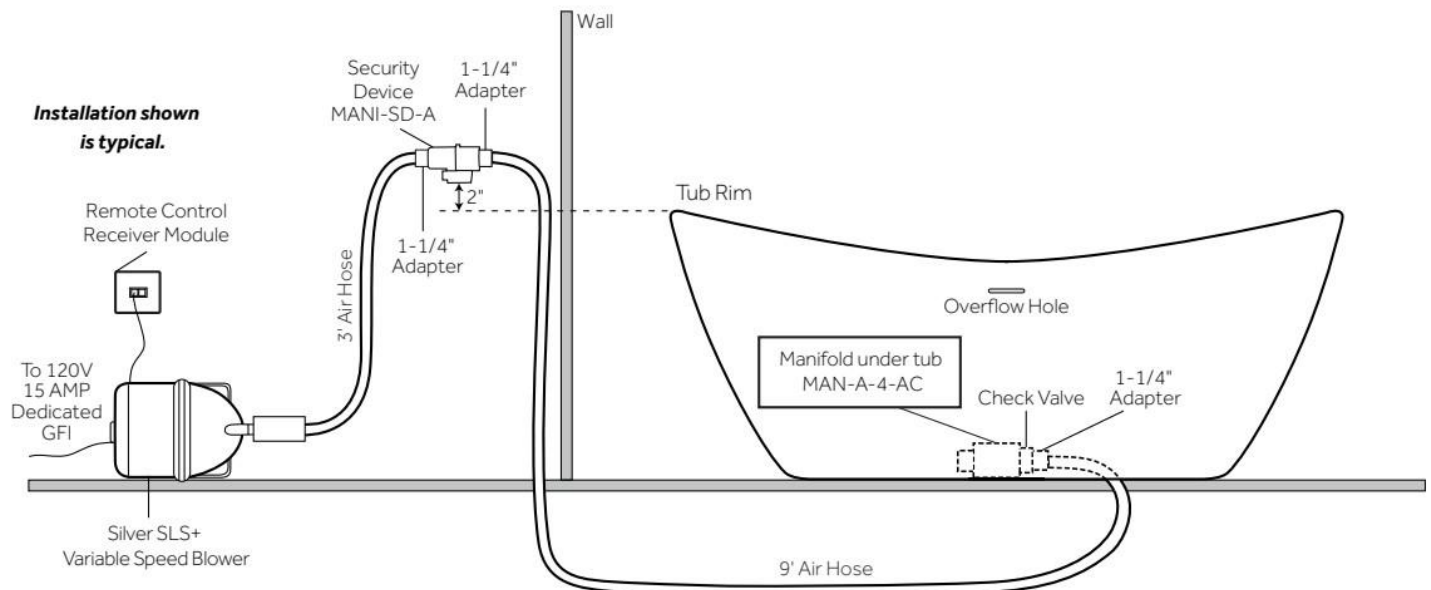
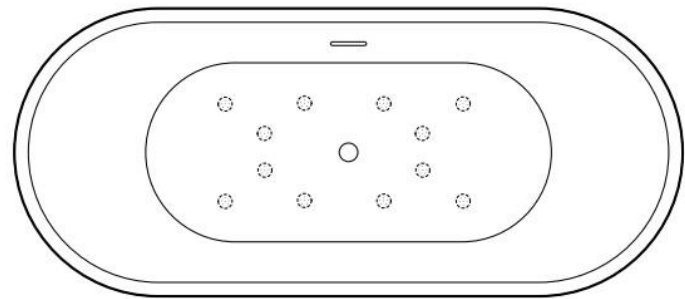
- (12) MAXI AIR JETS WITH 24 OPENINGS



ELBOWS FOR AIR JETS



TEES FOR AIR JETS



REVISED 7/1/2024