

PROVINCETOWN TOWEL BAR

SKU: 948191

Code: SHPR18TB, SHPR24TB



FEATURES

- Installation Type: Wall Mount
- Design: Modern
- Material: Zinc
- Height: 2-1/8"
- Depth: 2-7/8"
- Base Plate Height: 2-1/8"
- Mounting Hardware Included: Yes
- Mounting Hardware Concealed: Yes
- Assembly Required: No
- Number of Rails: 1

REVISED 4/3/2023

PROVINCETOWN TOWEL BAR

SKU: 948191

Code: SHPR18TB, SHPR24TB



ADDITIONAL FEATURES

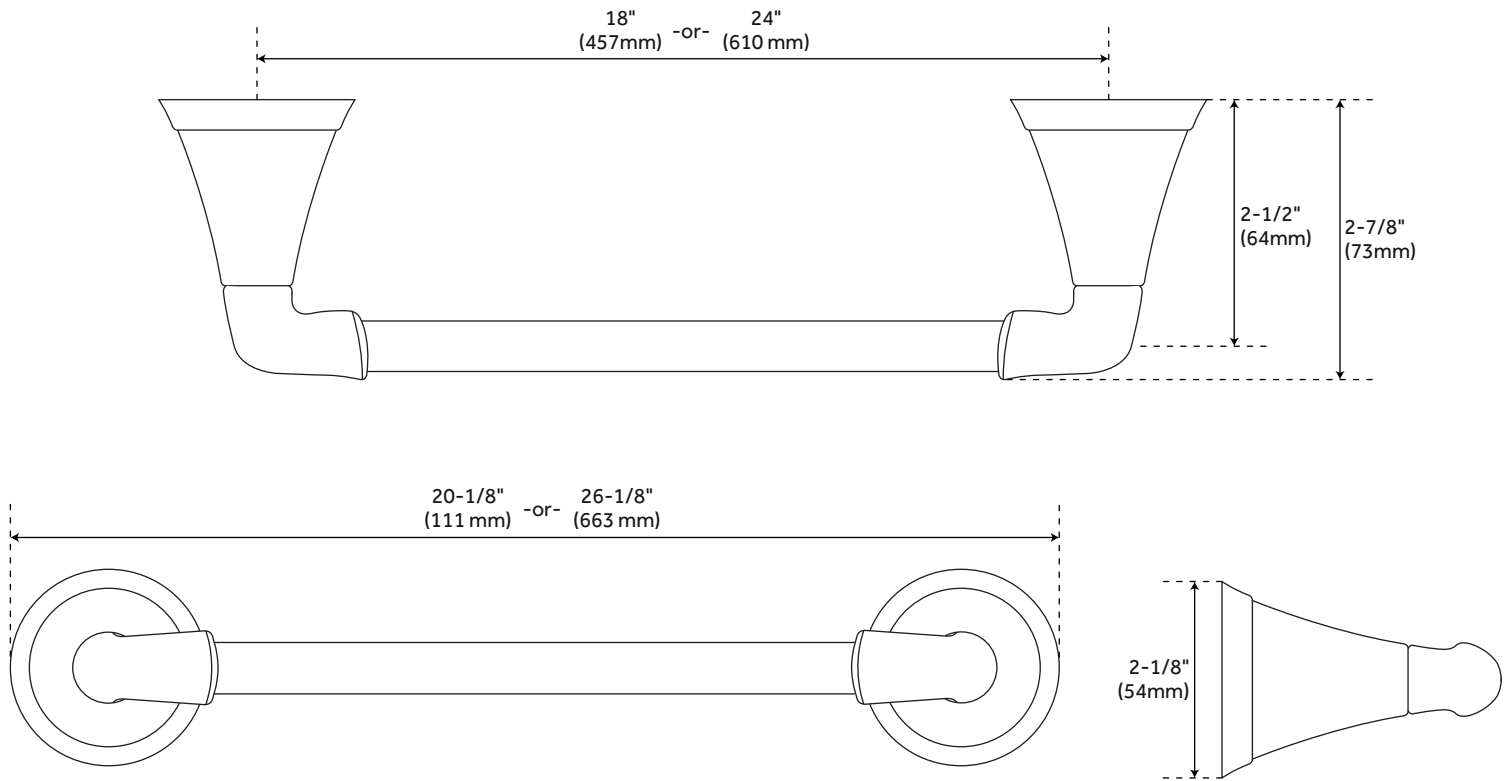
- 18" towel bar has a towel holder length of 15-3/4". Overall Dimensions: 20-1/8" L x 2-7/8" W x 2-1/8" H.
- 24" towel bar has a towel holder length of 21-3/4". Overall Dimensions: 26-1/8" L x 2-7/8" W x 2-1/8" H.

REVISED 4/3/2023

PROVINCETOWN TOWEL BAR

SKU: 948191

SHPR18TB, SHPR24TB



All dimensions and specifications are nominal and may vary. Use actual products for accuracy in critical situations.