

PENDLETON TOWEL BAR

SKU: 948192

Code: SHPT18TB, SHPT24TB



FEATURES

Installation Type: Wall Mount

Design: Modern

Material: Zinc

Height: 1-7/8"

Depth: 2-7/8"

Base Plate Height: 1-7/8"

Mounting Hardware Included: Yes

Mounting Hardware Concealed: Yes

Assembly Required: No

Number of Rails: 1

REVISED 4/3/2023

PENDLETON TOWEL BAR

SKU: 948192

Code: SHPT18TB, SHPT24TB



ADDITIONAL FEATURES

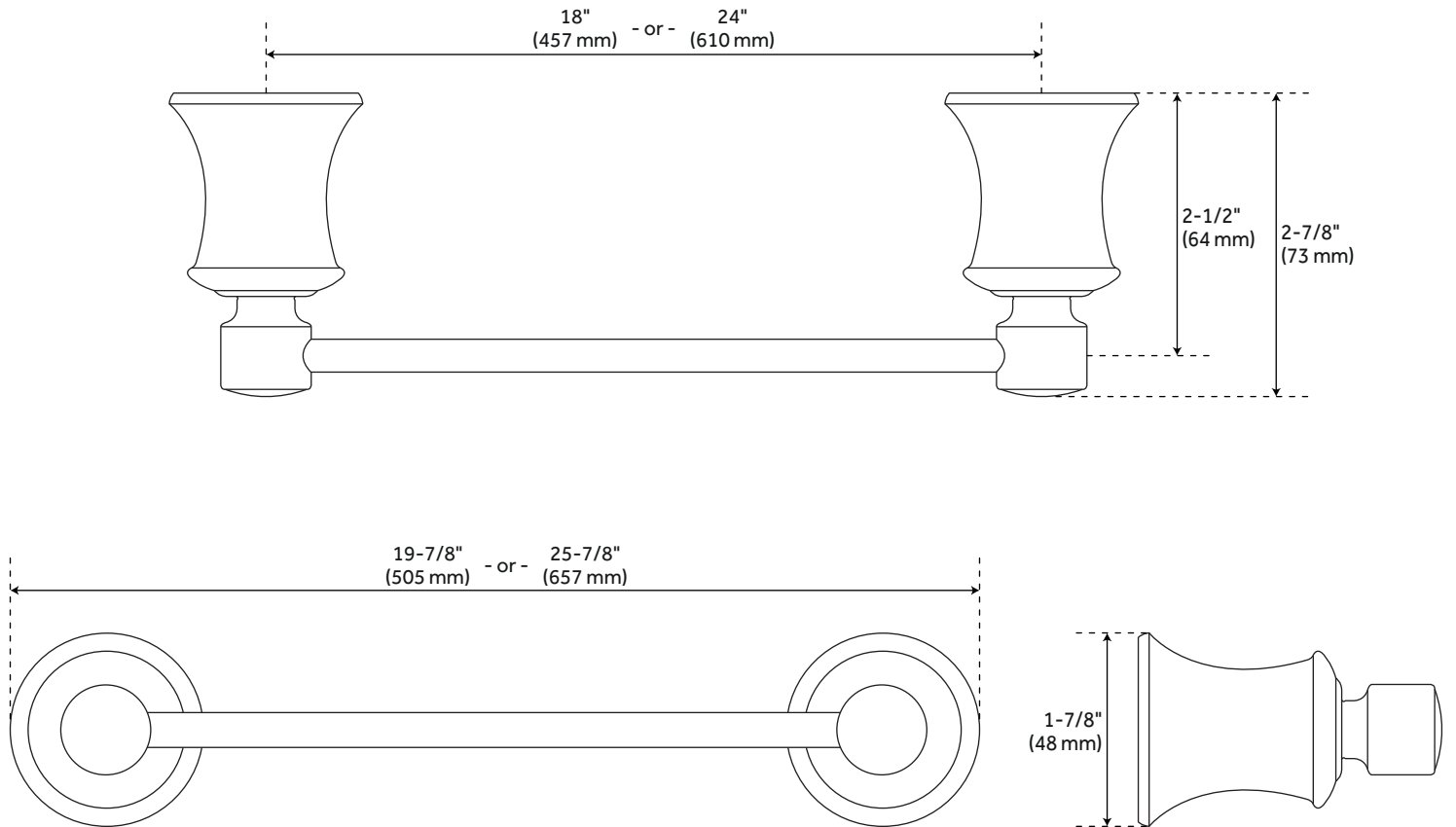
- 18" towel bar has a towel holder length of 16". Overall Dimensions: 19-7/8" L x 1-7/8" W x 1-7/8" H.
- 24" towel bar has a towel holder length of 22". Overall Dimensions: 25-7/8" L x 1-7/8" W x 1-7/8" H.

REVISED 4/3/2023

PENDLETON TOWEL BAR

SKU: 948192

SHPT18TB, SHPT24TB



All dimensions and specifications are nominal and may vary. Use actual products for accuracy in critical situations.