

BEASLEY TOWEL BAR

SKU: 948233

Code: SHBE18TB2, SHBE24TB2



FEATURES

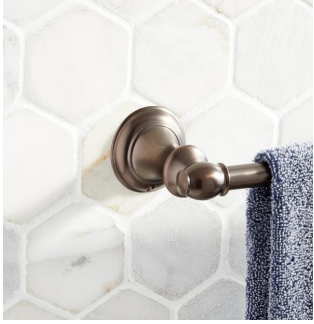
- Installation Type: Wall Mount
- Design: Traditional
- Material: Stainless Steel
- Height: 2-3/8"
- Depth: 3-1/2"
- Base Plate Height: 2-3/8"
- Mounting Hardware Included: Yes
- Mounting Hardware Concealed: Yes
- Assembly Required: No
- Number of Rails: 1

REVISED 10/24/2023

BEASLEY TOWEL BAR

SKU: 948233

Code: SHBE18TB2, SHBE24TB2

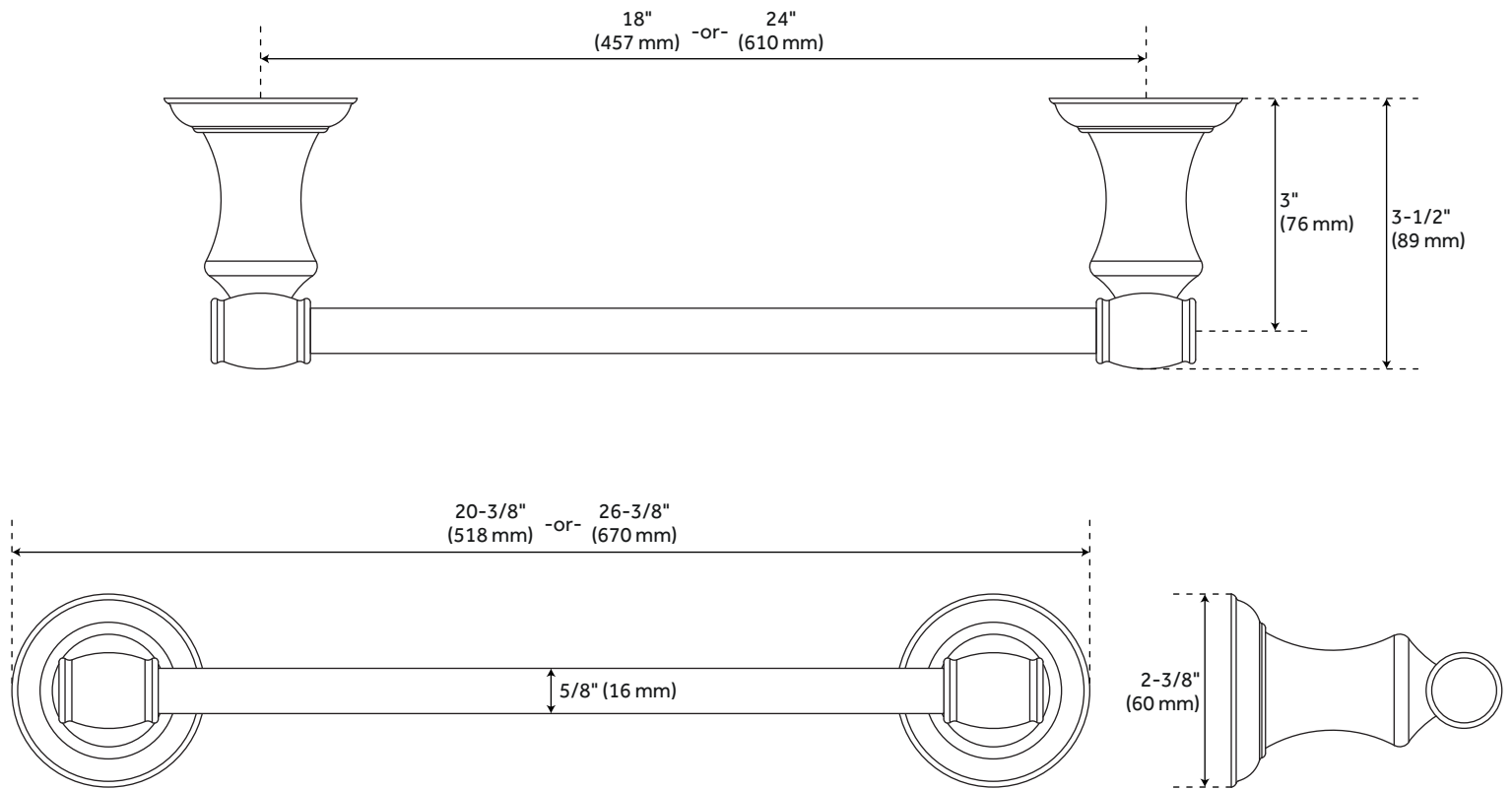


ADDITIONAL FEATURES

- 18" towel bar has a towel holder length of 15-5/8". Overall Dimensions: 20-3/8" L x 3-1/2" W x 2-3/8" H.
- 24" towel bar has a towel holder length of 21-5/8". Overall Dimensions: 26-3/8" L x 3-1/2" W x 2-3/8" H.

REVISED 10/24/2023

BEASLEY TOWEL BAR



All dimensions and specifications are nominal and may vary. Use actual products for accuracy in critical situations.