

60" X 30" SITKA ACRYLIC ALCOVE WHIRLPOOL TUB - WHITE

SKU: 948253-WP
Code: SHSKW6030



FEATURES

Tub Material: Acrylic
Product Finish: White
Shape: Rectangle
Tub Drain Placement: End
Drain Included: No
Water Depth to Overflow: 14-1/2"
Water Capacity (Gallons): 59
Built-In Adjusters: No
Tub Weight Uncrated (lbs): 213

ASME A112.19.7/CSA B45.10, CSA B45.5/IAPMO Z124, CSA C22.2 No. 218.2, Massachusetts Accepted, UL 1795,
LISTED ID: MIRSKX6030XXX



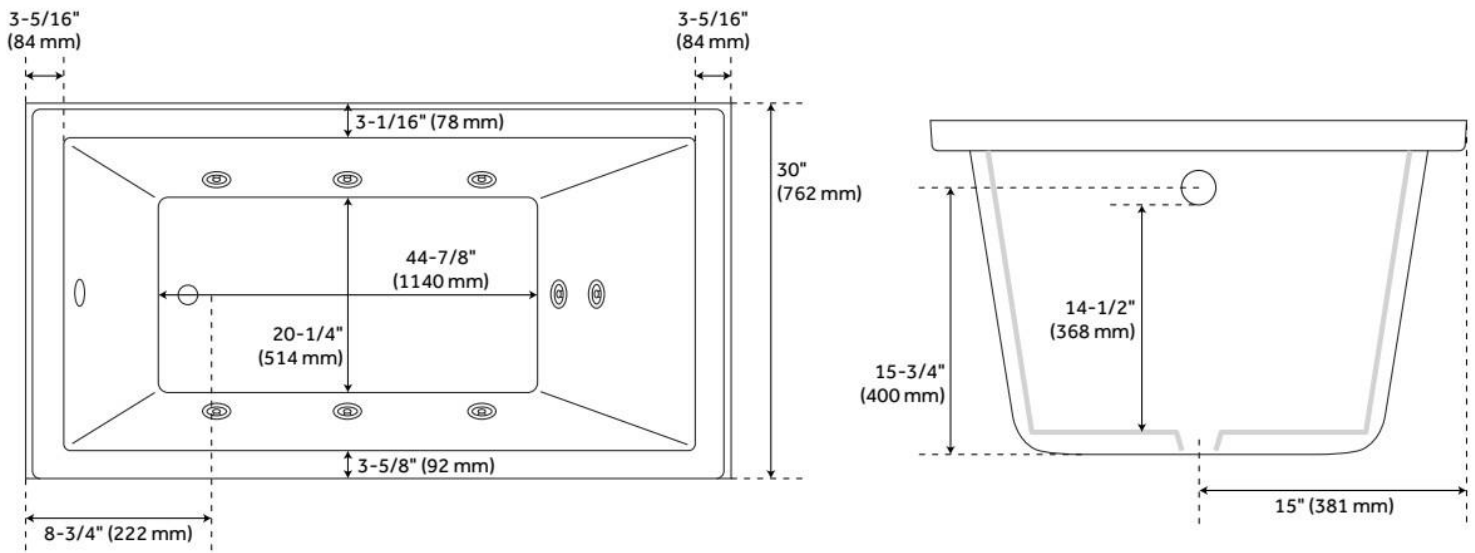
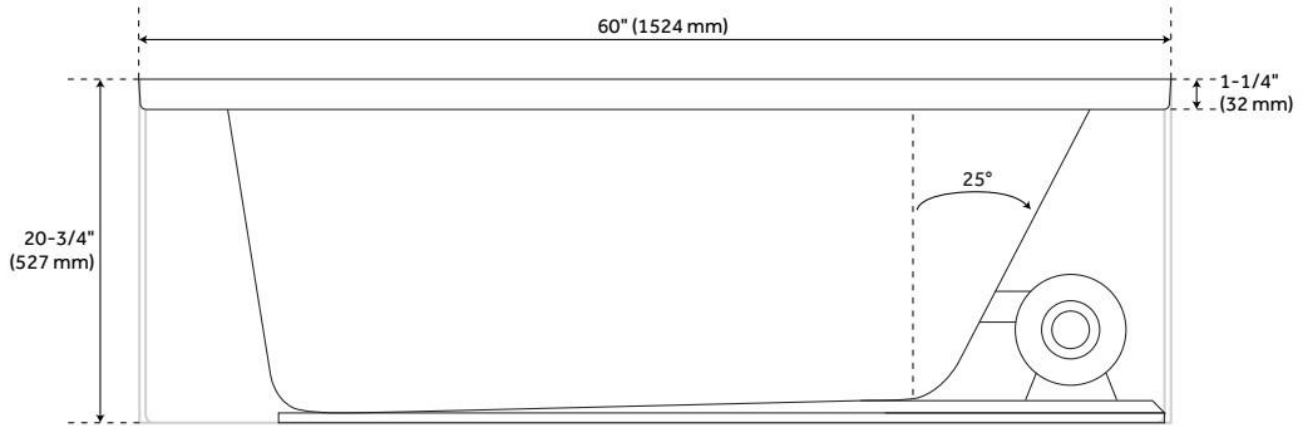
ADDITIONAL FEATURES

- All dimensions ($\pm 1/2$ ").
- Textured slip-resistant bottom.
- Pre-leveled base.
- 42-gallon (159-Liters) operating capacity.
- Intuitive electronic control pad.
- 8 Strategically placed air jets move water with increased pressure for an invigorating bathing experience.
- Whirlpool system uses a powerful 1.75hp, 10.9 amp whirlpool pump.
- Integral tile flange and skirt with removable access pane.
- Safety Suction: Meets all requirements of durability and clog-resistance through standard testing.
- Pre-wired for simple plug-in installation.

REVISED 2/4/2025

60" X 30" SITKA ACRYLIC ALCOVE WHIRLPOOL TUB - WHITE

SKU: 948253-WP
Code: SHSKW6030



REVISED 2/4/2025

60" X 30" SITKA ACRYLIC ALCOVE WHIRLPOOL TUB - WHITE

SKU: 948253-WP
Code: SHSKW6030

COMPONENTS LIST

- Powerful whirlpool pump with variable flow device

INSTALLATION

- Whirlpool unit requires dedicated 20 Amp, 120V service
- You must provide a receptacle with a 20 Amp configuration
- Electrical outlet must be mounted 4" (101 mm) above the floor line and 12" max (305 mm) inside from the edge of the bathtub, or in accordance with local building and electrical codes

INTEGRATED CONTROL PANEL

- Intuitive electronic control buttons

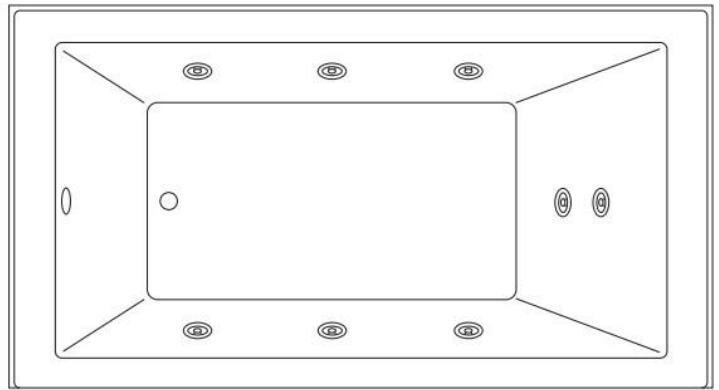


INSIDE OF BATH

- (8) HIGH-FLOW DIRECTIONAL AND VOLUME-ADJUSTABLE WHIRLPOOL JETS

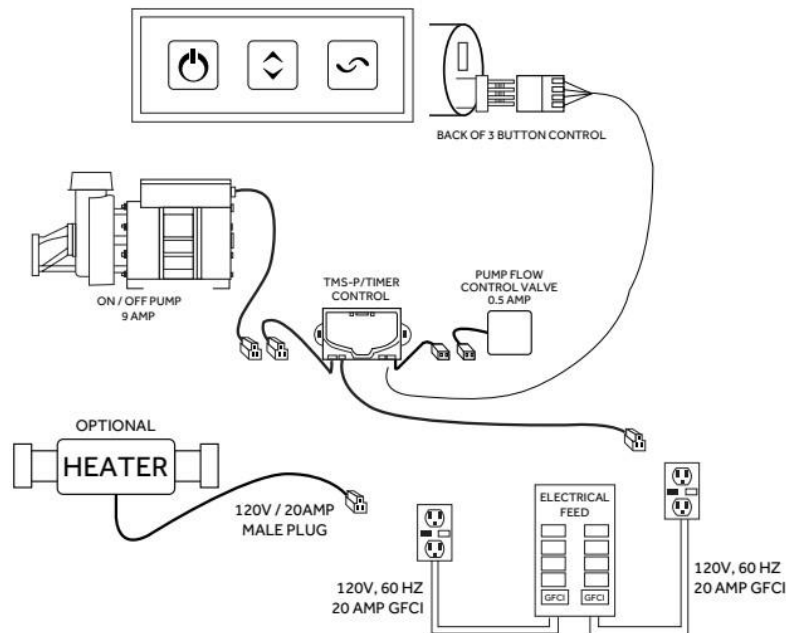


WHIRLPOOL JET



ELECTRICAL CONFIGURATIONS

WHIRLPOOL CIRCUIT WITH OPTIONAL HEATER



All dimensions and specifications are nominal and may vary. Use actual products for accuracy in critical situations.

REVISED 2/4/2025