

BEASLEY KITCHEN FAUCET WITH PULL-DOWN SPRING SPOUT - POLISHED NICKEL

SKU: 948322

Code: SHXCBE200, SH485306, SHXCBE207



FEATURES

Material: Metal construction for strength and durability

Installation Type: Single-Hole

Connection Type: Compression

Flow Rate: 1.8 gpm (6.8 L/min) @ 60 psi

Spray Type: Stream

Cartridge Type: Ceramic Disc

Swivel Spout: Yes

ASME A112.18.1/CSA B125.1, NSF/ANSI 372, NSF/ANSI 61, NSF/ANSI/CAN 61, NSF/ANSI/CAN 61-9:Q≤1, CEC Listed, Massachusetts Accepted, LISTED ID: SHXCBE207XX



ADDITIONAL FEATURES

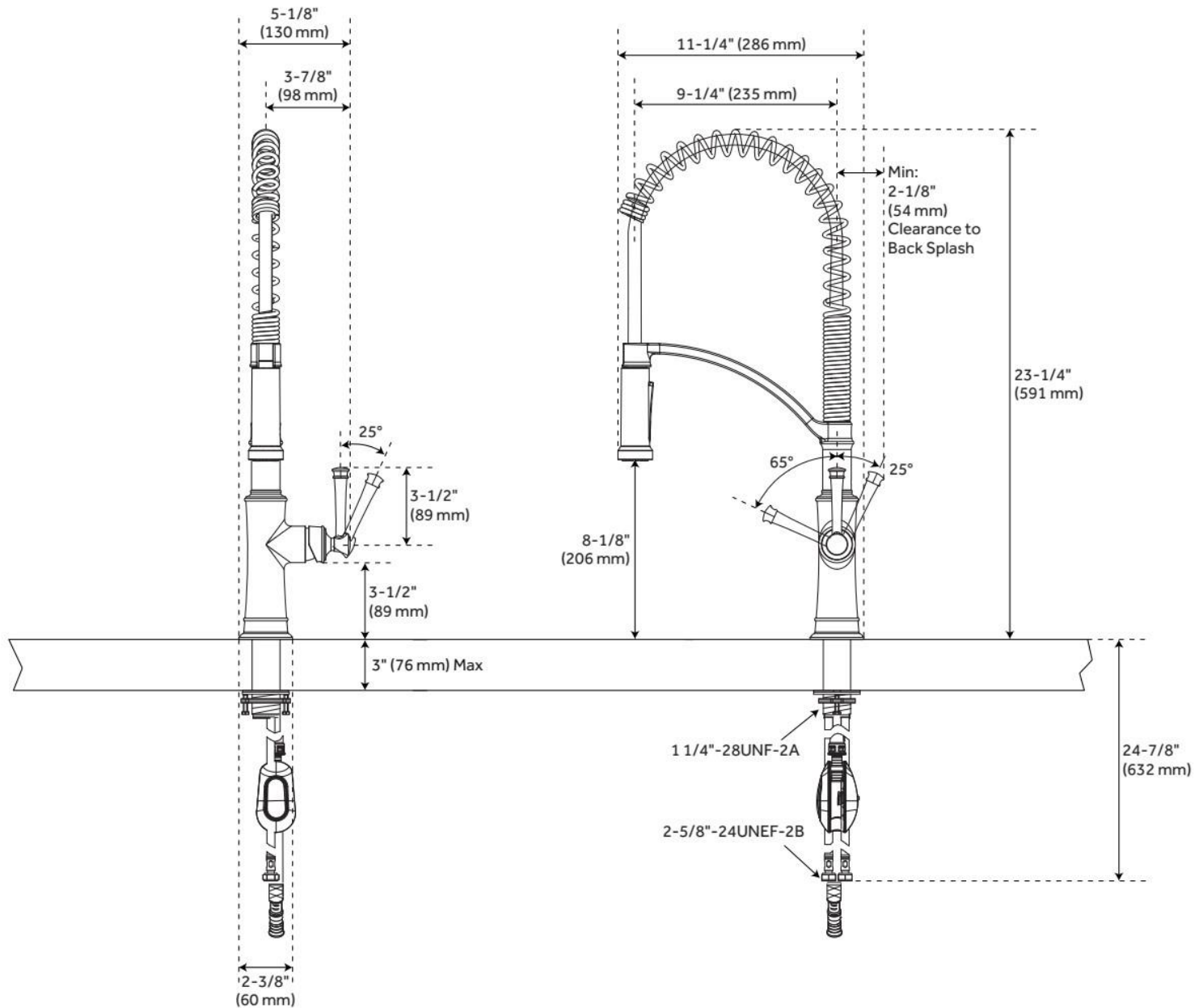
- Single handle kitchen faucet.
- Lead-Free body.
- Metal lever handle.
- Faucet head features control for spray or aerated stream.

REVISED 5/14/2024

BEASLEY KITCHEN FAUCET WITH PULL-DOWN SPRING SPOUT - POLISHED NICKEL

SKU: 948322

Code: SHXCBE200, SH485306, SHXCBE207



REVISED 5/14/2024