

AMBERLEY SINGLE-HOLE PULL-DOWN KITCHEN FAUCET

SKU: 948399

Code: SHXCAM107, SH483691



FEATURES

Material: Metal construction for strength and durability

Installation Type: Single-Hole

Flow Rate: 1.8 gpm (6.8 L/min) @ 60 psi

Spray Type: Stream

Cartridge Type: Ceramic Disc

Swivel Spout: Yes

ASME A112.18.1/CSA B125.1, NSF/ANSI 372, NSF/ANSI/CAN 61, NSF/ANSI/CAN 61-9:Q \leq 1, ICC/ANSI A117.1, CEC Listed, CALGreen, Massachusetts Accepted, LISTED ID: SHXCAM107*



ADDITIONAL FEATURES

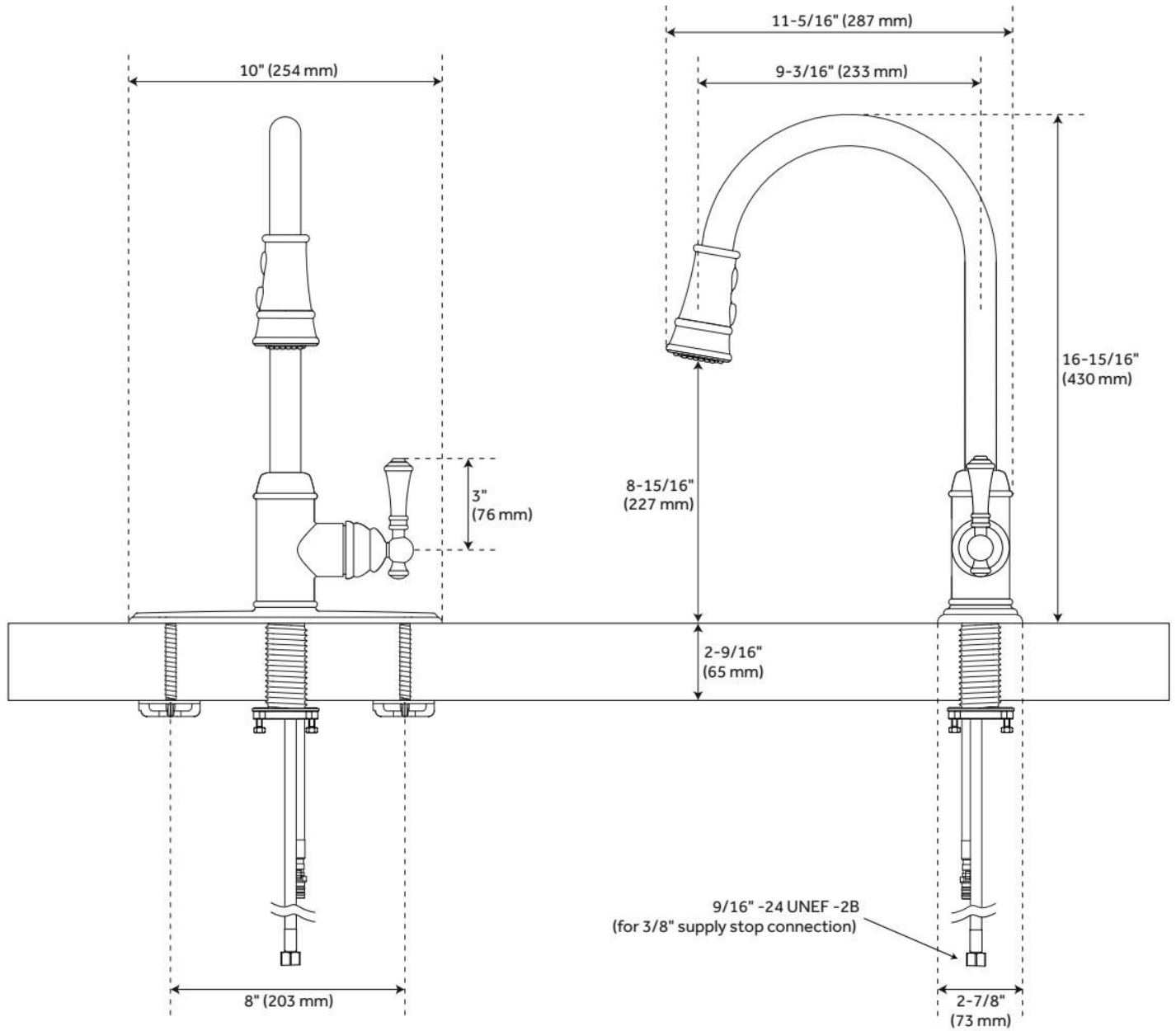
- Non-kink nylon hose.
- Optional deck plate included.
- 3-Function sprayer: stream, full spray and pause.
- Diverts from spray to stream without shutting off water.

REVISED 5/14/2024

AMBERLEY SINGLE-HOLE PULL-DOWN KITCHEN FAUCET

SKU: 948399

Code: SHXCAM107, SH483691



REVISED 5/14/2024