

# GREYFIELD SINGLE-HOLE PULL-DOWN KITCHEN FAUCET

SKU: 948401

Code: SHXCGF107, SHXCGF101, SH485515



## FEATURES

Installation Type: Single-Hole  
Features: Pull-Down; Deck Plate  
Design: Modern  
Material: Metal  
Length: 9-7/8"  
Width: 11-7/16"  
Height: 17-7/16"  
Base Plate Length: 9-7/8"  
Assembly Required: Yes  
Faucet Centers: Single-Hole  
Faucet Material: Metal  
Handle Type: Lever  
Handle Length: 3-3/8"  
Base Plate Width: 2-3/8"  
Flow Rate: 1.8 gpm (6.8 L/min) @ 60 psi  
Kitchen Faucet Holes: 1  
Max. Countertop Thickness: 2-15/16"  
Height To Spout: 8-15/16"  
Spout Reach: 9-1/16"  
Swivel Spout: Yes  
Ceramic Disc Cartridges: Yes  
Handle Material: Metal

LISTED ID: SHXCGF107\*



REVISED 1/23/2024

# GREYFIELD SINGLE-HOLE PULL-DOWN KITCHEN FAUCET

SKU: 948401

Code: SHXCGF107, SHXCGF101, SH485515

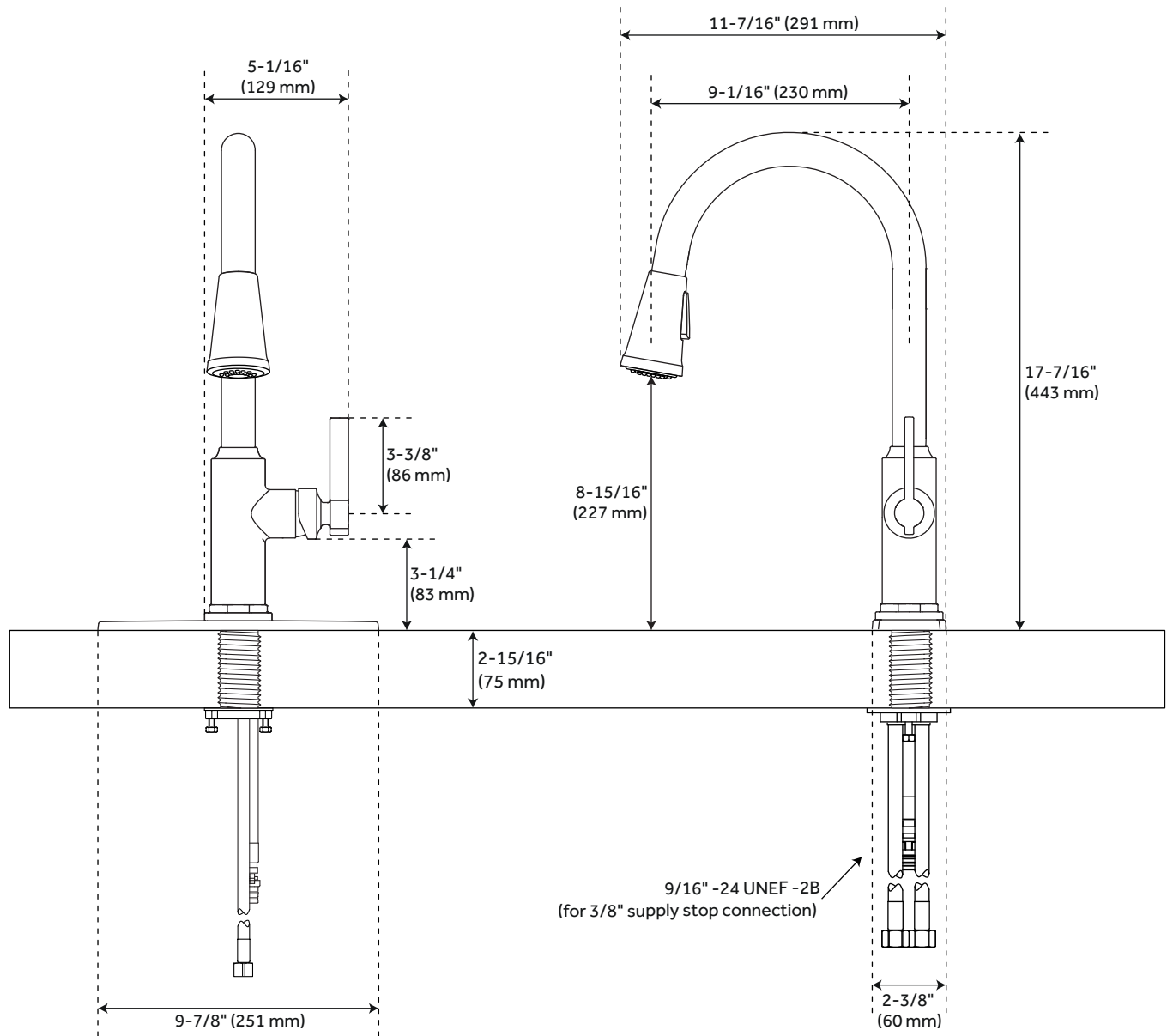


## ADDITIONAL FEATURES

- Non-kink nylon hose.
- Optional deck plate included.
- 3-Function sprayer-stream, full spray and pause.
- 60 psi.

REVISED 1/23/2024

# GREYFIELD SINGLE-HOLE PULL-DOWN KITCHEN FAUCET



All dimensions and specifications are nominal and may vary. Use actual products for accuracy in critical situations.