

# CARRAWAY TWO-PIECE SKIRTED ELONGATED TOILET - ADA COMPLIANT - WHITE

SKU: 948432

Code: SHCR200, SHCR240S, SHTSHEC2000, SHBDS300



## FEATURES

Material: Porcelain  
Product Finish: White  
Toilet Style: 2-Piece  
Flush Handle Location: Left  
Bowl Height: 16-1/2"  
Bowl Shape: Elongated  
Rough-in: 12"  
Gallons Per Flush: 1.28 GPF (4.8 LPF)  
Flush Type: Gravity  
Flush Valve Size: 3"  
Trapway Diameter: 2"  
Seat Included: Yes  
Water Spot: 8-1/4" x 6"

Optional Accessory: SH428MB, SH428ZBN, SH428BG, SH428PN, SH428CP

ASME A112.19.2/CSA B45.1, ASME A112.4.2/CSA B45.16, ICC/ANSI A117.1, CEC Listed, WaterSense by IAPMO, Massachusetts Accepted, LISTED ID: SHCR200WH/SHCR240SWH, SHCR200WH/SHCR240SWH, SHBDS300WH



## ADDITIONAL FEATURES

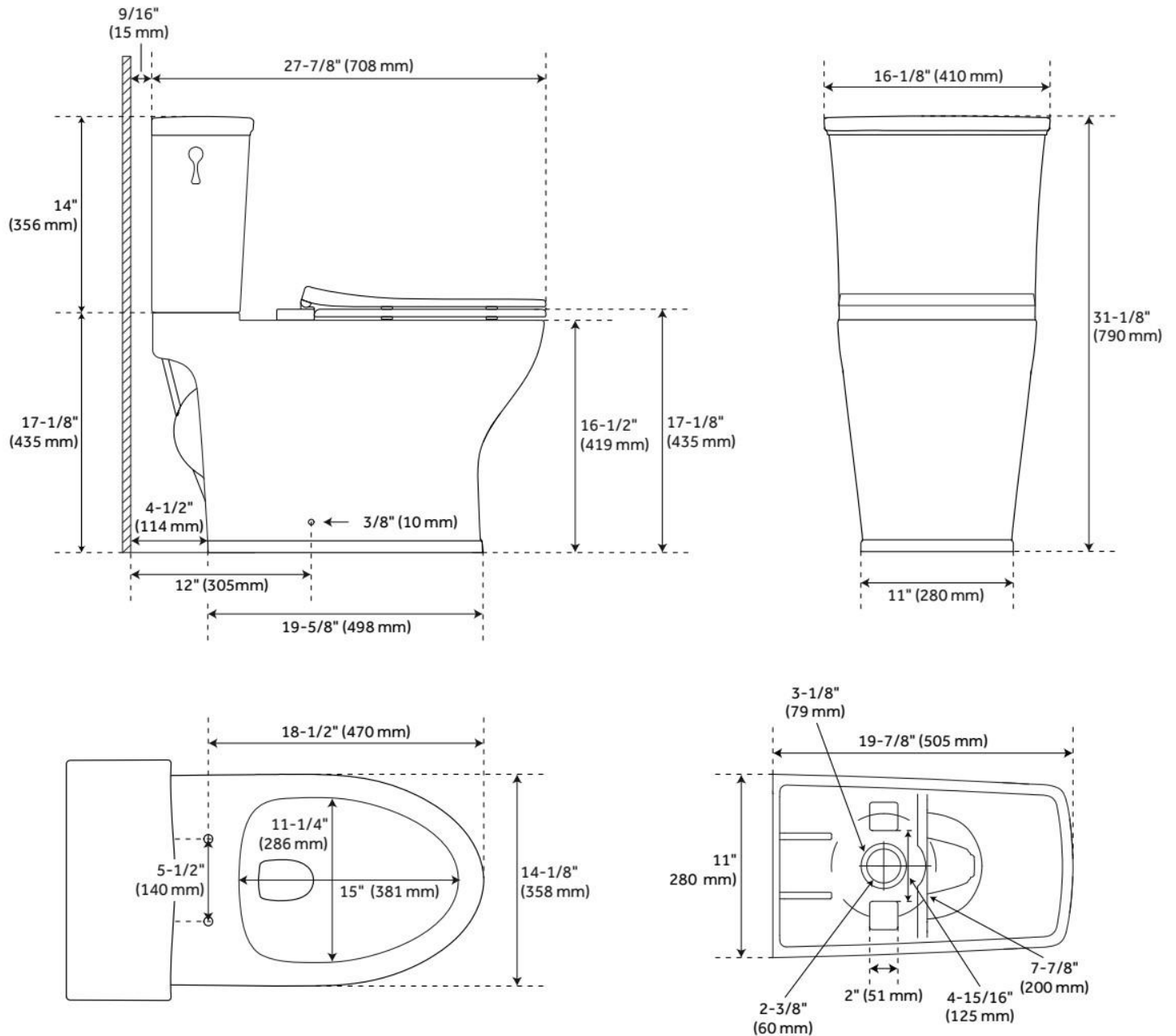
- Skirted bowl with concealed trapway.
- Toilet with a standard seat meets ADA requirements when installed according to ADA guidelines.
- High efficiency toilet uses 20% less water than standard toilets.
- Optional bidet seat details:
  - Bidet seat adds 1" to bowl height.
  - Side knob allows for adjustment of angle, water volume, and cleaning type.
  - Spray nozzle features multiple holes for a softer cleanse and water saving operation.
  - Spray nozzle is self-cleaning, antibacterial, and removable for further cleaning.
  - Bidet seat has a glossy finish with protective bumpers and self-closing seat/lid.
- Includes polished chrome metal flush handle.

REVISED 1/10/2025

# CARRAWAY TWO-PIECE SKIRTED ELONGATED TOILET - ADA COMPLIANT - WHITE

SKU: 948432

Code: SHCR200, SHCR240S, SHTSHEC2000, SHBDS300



REVISED 1/10/2025