

17" TOTTEN GRANITE COMPOSITE DROP-IN PREP SINK - WHITE

SKU: 948448

Code: SHGR1B1616, SHG1212, SH417855



FEATURES

- Length: 16-5/8"
- Width: 16-5/8"
- Height: 8"
- Mounting Hardware Included: Yes
- Number of Basins: 1
- Sink Installation: Drop-In
- Product Color: White
- Faucet Centers: No Faucet Hole
- Basin Length: 14"
- Basin Width: 14"
- Fits Drain Hole Size: 3-1/2"
- Drain Included: Optional
- Faucet Included: No
- Sink Material: Granite
- Basin Configuration: Single
- Water Depth to Rim: 8"
- Faucet Holes: No Faucet Hole

ASSE 1016 Type P/T

REVISED 3/15/2023

17" TOTTEN GRANITE COMPOSITE DROP-IN PREP SINK - WHITE

SKU: 948448

Code: SHGR1B1616, SHG1212, SH417855



ADDITIONAL FEATURES

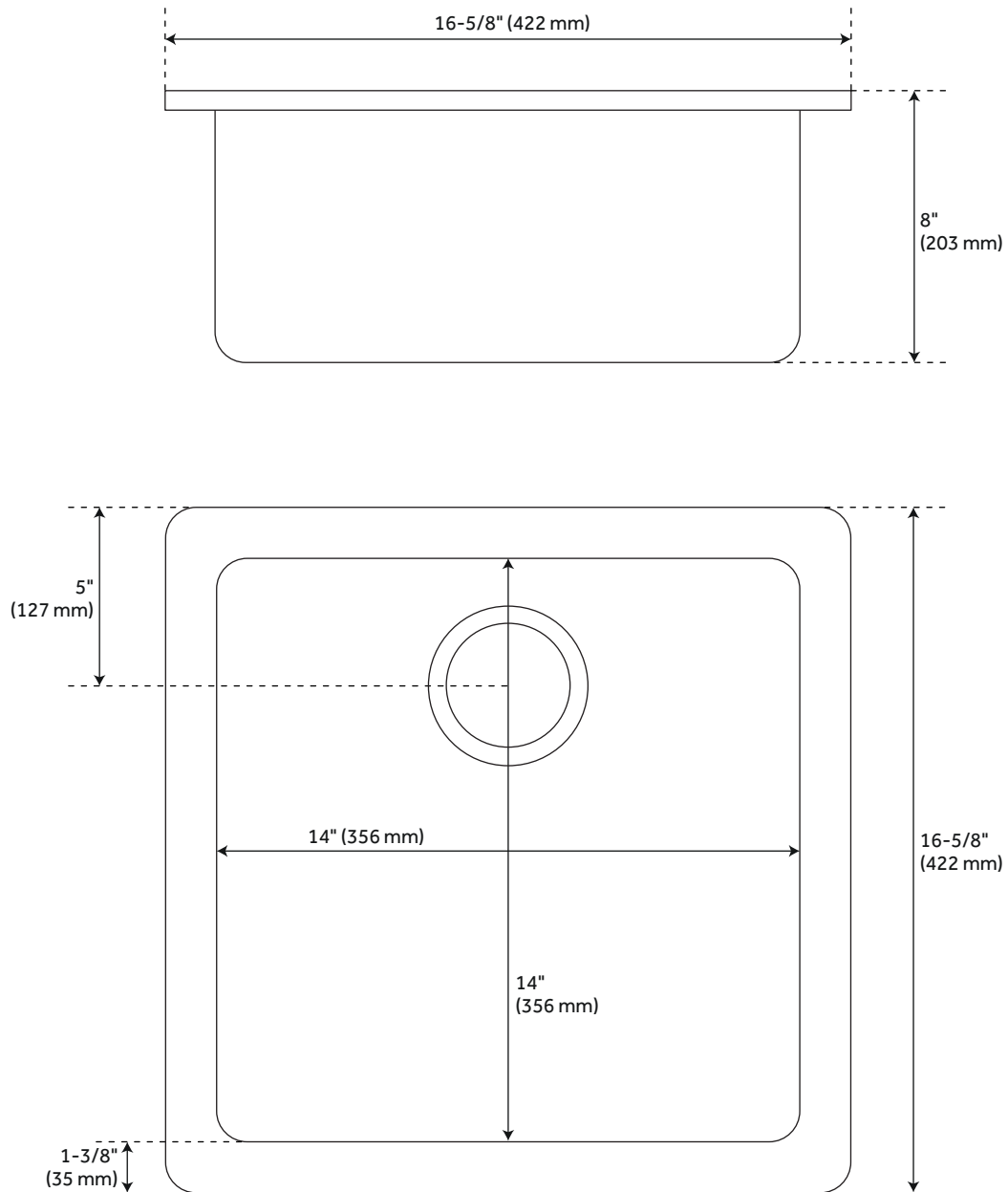
- It is recommended to have the sink at the job site before cutting cabinet or counter top.
- Resistant to heat, stains, and scratches.
- Optional sink grid measurements: 12-3/8" L x 12-3/8" W x 3/4" H.

REVISED 3/15/2023

17" TOTTEN GRANITE COMPOSITE DROP-IN PREP SINK - WHITE

SKU: 948448

SHGR1B1616WH

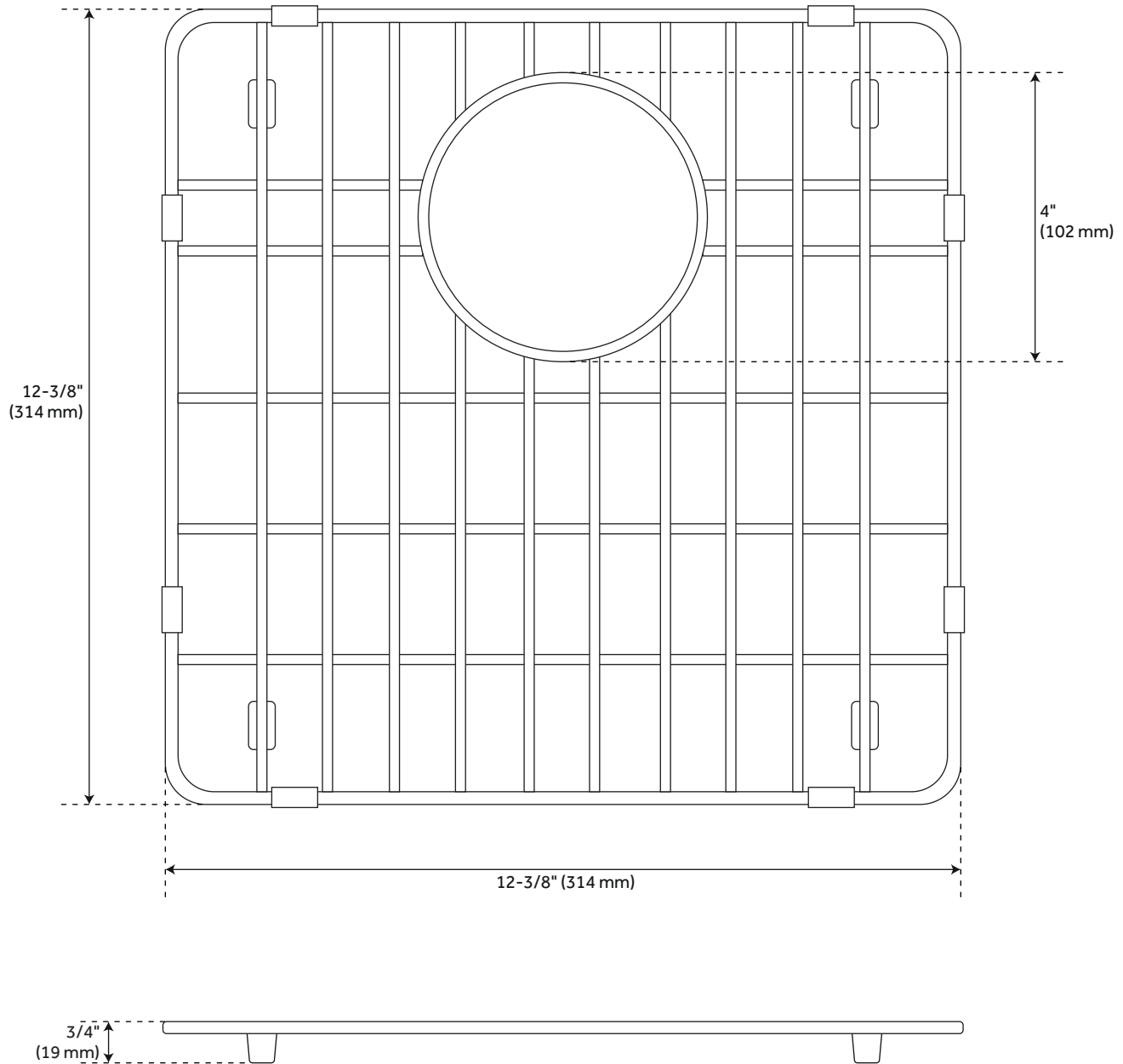


All dimensions and specifications are nominal and may vary. Use actual products for accuracy in critical situations.

OPTIONAL SINK GRID FOR 17" TOTTEN DROP-IN PREP SINK

SKU: 948448

SHG1212



All dimensions and specifications are nominal and may vary. Use actual products for accuracy in critical situations.