

18" SITKA STAINLESS STEEL PREP SINK

SKU: 948451 & 948452

Code: SHSKDM1515AZ1 SHG1515



FEATURES

Length: 17-3/4"
Width: 20-3/8"
Height: 10"
Mounting Hardware Included: Yes
Number of Basins: 1
Sink Installation: Undermount,
Drop-In
Product Color: Stainless Steel
Faucet Centers: Single-Hole
Centered Basin Length: 15"
Basin Width: 15"
Fits Drain Hole Size: 3-1/2"
Interior Treatment: Smooth
Metal Gauge/Thickness: 18 Gauge
Drain Included: Optional
Faucet Included: No
Sink Material: Stainless Steel
Basin Configuration: Single
Water Depth to Rim: 10"
Faucet Holes: 1



REVISED 2/24/2023

18" SITKA STAINLESS STEEL PREP SINK

SKU: 948451 & 948452

Code: SHSKDM1515Z1, SHG1515



ADDITIONAL FEATURES

- Minimum Cabinet Size: 21".
- Type 304 stainless steel.
- It is recommended to have the sink at the job site before cutting cabinet or counter top.
- Sound absorption pads on the underside of sink.
- Has an undercoating to prevent condensation buildup.

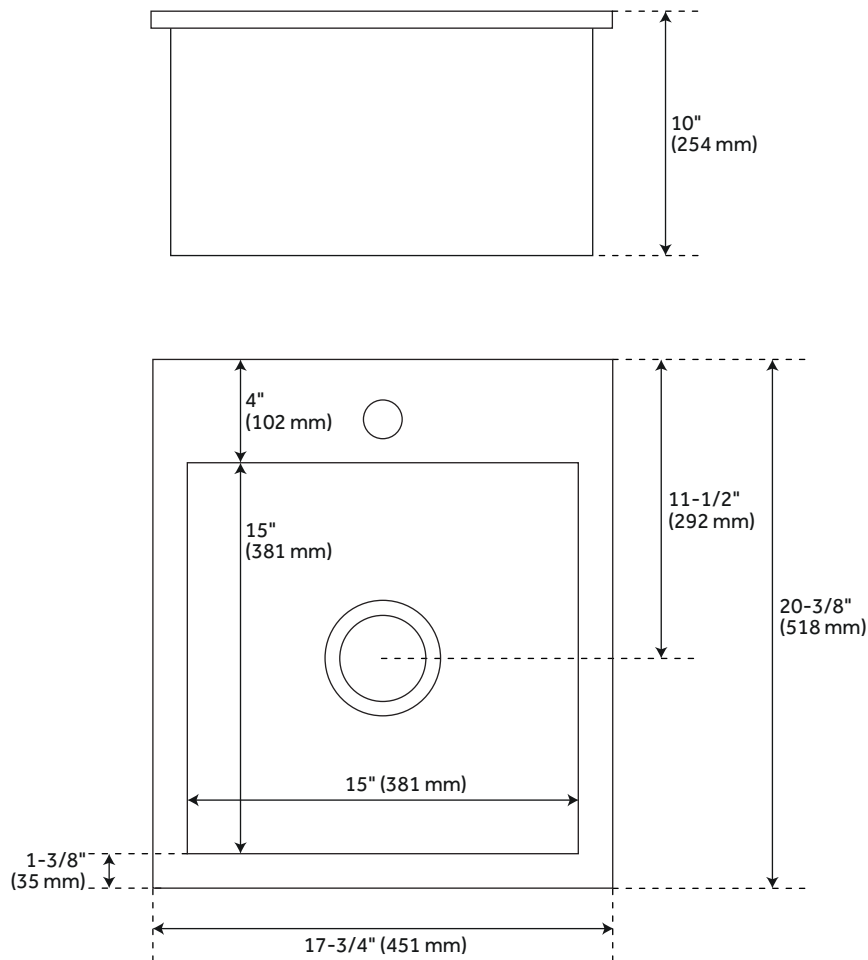
REVISED 2/24/2023

18" SITKA

STAINLESS STEEL PREP SINK

SKU: 948451 & 948452

Code: SHSKDM1515Z1, SHG1515



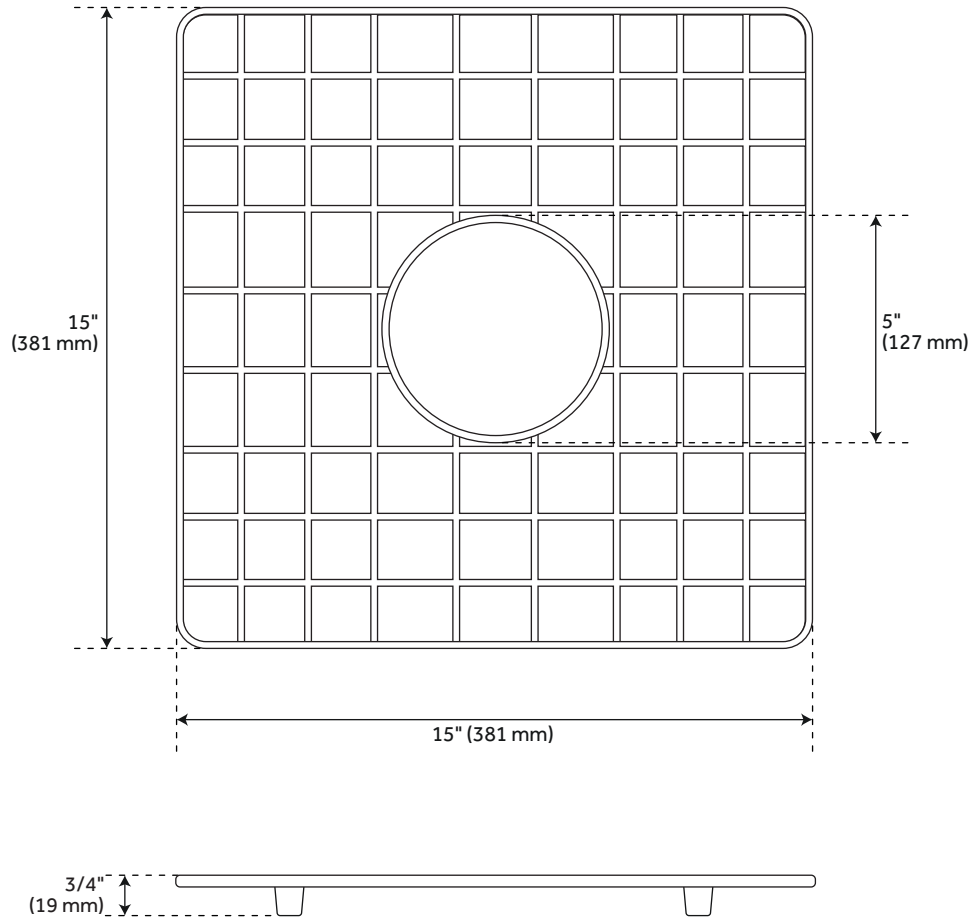
All dimensions and specifications are nominal and may vary. Use actual products for accuracy in critical situations.

SINK GRID

FOR 18" SITKA STAINLESS STEEL PREP Sink

SKU: 948451 & 948452

Code: SHSKDM1515Z1, SHG1515



All dimensions and specifications are nominal and may vary. Use actual products for accuracy in critical situations.