

18" CALVERTON STAINLESS STEEL UNDERMOUNT PREP SINK

SKU: 948453

Code: SHCAUCA1517, SHG1315



FEATURES

- Length: 18"
- Width: 15-3/4"
- Height: 9"
- Mounting Hardware Included: Yes
- Number of Basins: 1
- Sink Installation: Undermount
- Product Color: Stainless Steel
- Faucet Centers: No Faucet Hole
- Basin Length: 13-1/2"
- Basin Width: 15-1/2"
- Fits Drain Hole Size: 3-1/2"
- Interior Treatment: Smooth
- Metal Gauge/Thickness: 18 Gauge
- Drain Included: Optional
- Faucet Included: No
- Sink Material: Stainless Steel
- Basin Configuration: Single
- Water Depth to Rim: 10"
- Faucet Holes: No Faucet Hole



REVISED 09/8/2023

18" CALVERTON STAINLESS STEEL UNDERMOUNT PREP SINK

SKU: 948453

Code: SHCAUCA1517, SHG1315



ADDITIONAL FEATURES

- Minimum Cabinet Size: 21".
- Type 304 stainless steel.
- It is recommended to have the sink at the job site before cutting cabinet or counter top.
- Sound absorption pads on the underside of sink.
- Has an undercoating to prevent condensation buildup.

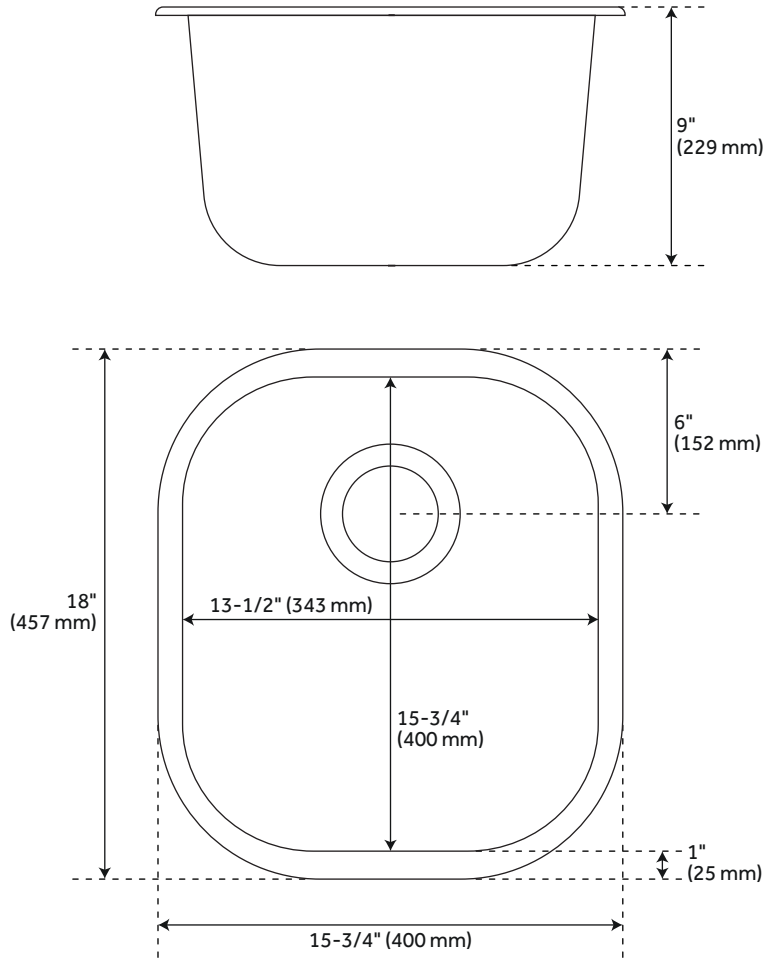
REVISED 09/8/2023

18" CALVERTON

STAINLESS STEEL UNDERMOUNT PREP SINK

SKU: 948453

Code: SHCAUCA1517, SHG1315



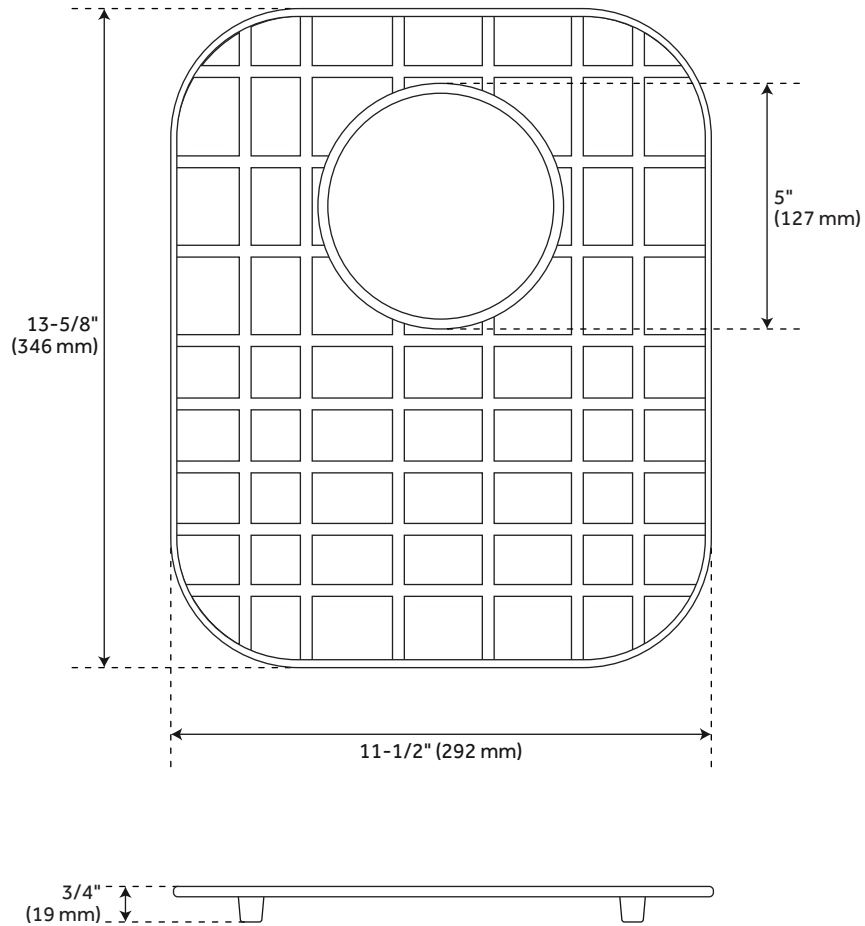
All dimensions and specifications are nominal and may vary. Use actual products for accuracy in critical situations.

SINK GRID

FOR STAINLESS STEEL UNDERMOUNT PREP SINK

SKU: 948453

Code: SHCAUCA1517, SHG1315



All dimensions and specifications are nominal and may vary. Use actual products for accuracy in critical situations.