

# 17" CALVERTON ROUND STAINLESS STEEL UNDERMOUNT PREP SINK

SKU: 948454

Code: SHCAUC16R, SHG13R



## FEATURES

Material: Stainless Steel  
Length: 16-3/8"  
Width: 16-3/8"  
Height: 7"  
Mounting Hardware Included: Yes  
Number of Basins: 1  
Sink Installation: Undermount  
Product Color: Stainless Steel  
Faucet Centers: No Faucet Hole  
Basin Length: 14-1/8"  
Basin Width: 14-1/8"  
Fits Drain Hole Size: 3-1/2" Interior  
Treatment: Smooth  
Metal Gauge/Thickness: 18 Gauge  
Drain Included: Optional  
Faucet Included: No  
Sink Material: Stainless Steel Basin  
Configuration: Single Shape: Round  
Water Depth to Rim: 7"  
Faucet Holes: No Faucet Hole



REVISED 9/8/2023

# 17" CALVERTON ROUND STAINLESS STEEL UNDERMOUNT PREP SINK

SKU: 948454

Code: SHCAUC16R, SHG13R



## ADDITIONAL FEATURES

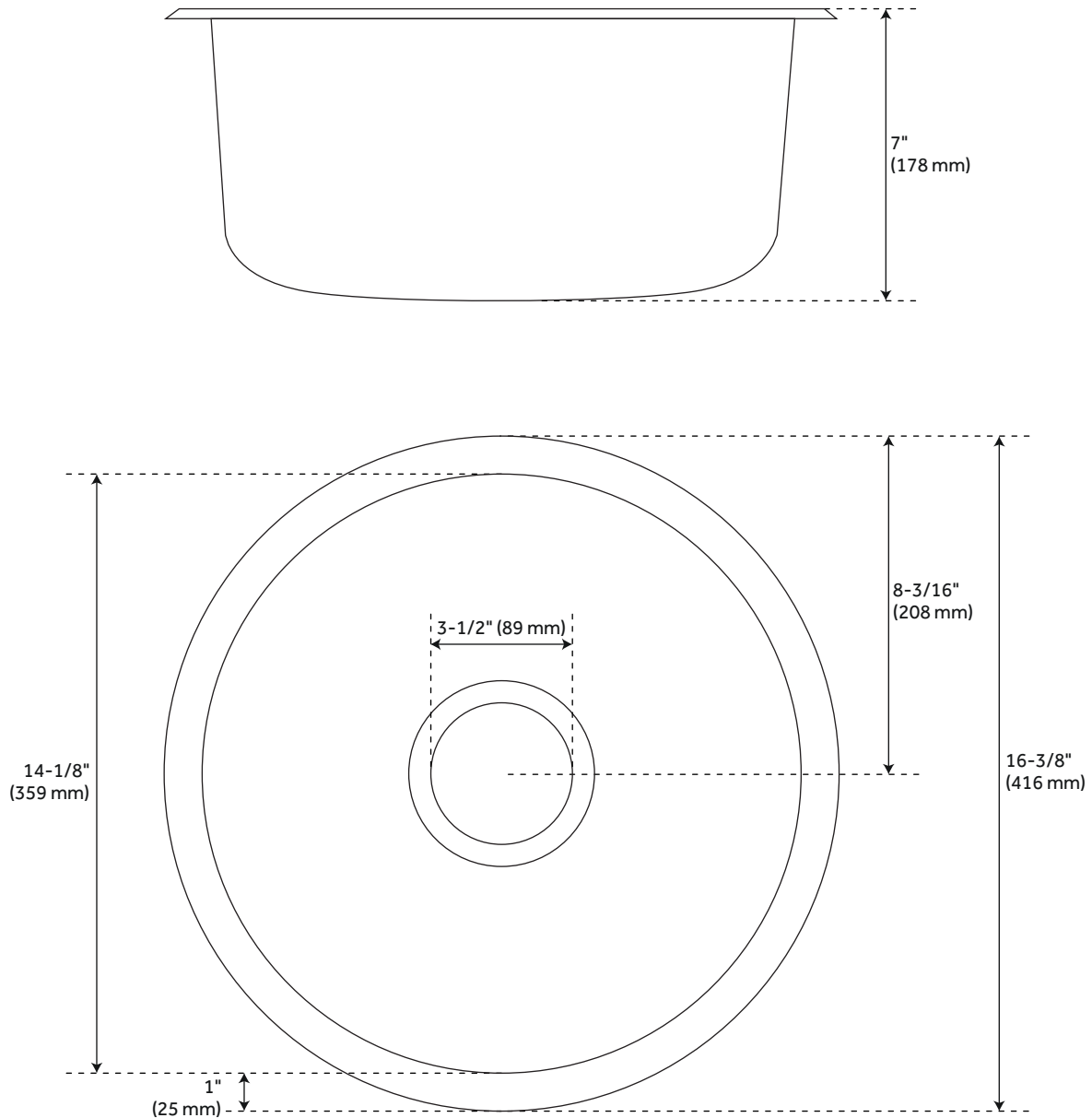
- Minimum Cabinet Size: 21".
- Type 304 stainless steel.
- It is recommended to have the sink at the job site before cutting cabinet or counter top.
- Sound absorption pads on the underside of sink.
- Has an undercoating to prevent condensation buildup.

REVISED 9/8/2023

# 17" CALVERTON ROUND STAINLESS STEEL UNDERMOUNT PREP SINK

SKU: 948454

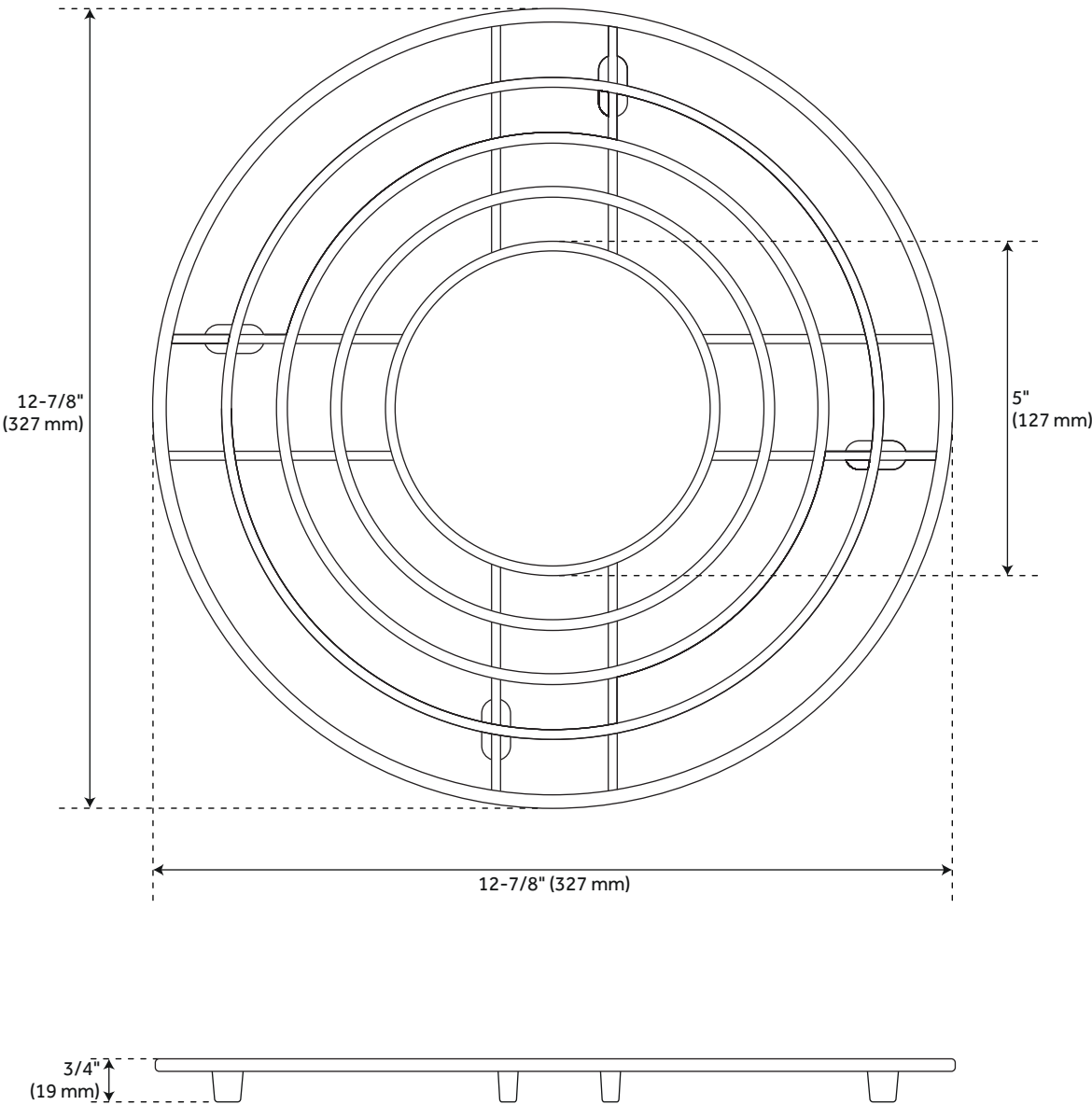
SHCAUC16R



All dimensions and specifications are nominal and may vary. Use actual products for accuracy in critical situations.

# OPTIONAL 17" CALVERTON ROUND UNDERMOUNT PREP SINK GRID

SKU: 948454  
SHG13R



All dimensions and specifications are nominal and may vary. Use actual products for accuracy in critical situations.