

25" SITKA STAINLESS STEEL UNDERMOUNT KITCHEN SINK - SINGLE-HOLE

SKU: 948475

Code: SHSKDM2522Z1, SHG2217



FEATURES

Length: 25"

Width: 22"

Height: 10"

Mounting Hardware Included: Yes

Number of Basins: 1

Sink Installation: Undermount

Product Color: Stainless Steel

Faucet Centers: Single-Hole Centered

Basin Length: 22-1/4"

Basin Width: 17"

Fits Drain Hole Size: 3-1/2"

Interior Treatment: Smooth

Metal Gauge/Thickness: 18 Gauge

Drain Included: Optional

Faucet Included: No

Sink Material: Stainless Steel

Basin Configuration: Single

Water Depth to Rim: 10"

Faucet Holes: 1



REVISED 9/8/2023

25" SITKA STAINLESS STEEL UNDERMOUNT KITCHEN SINK - SINGLE-HOLE

SKU: 948475

Code: SHSKDM2522Z1, SHG2217



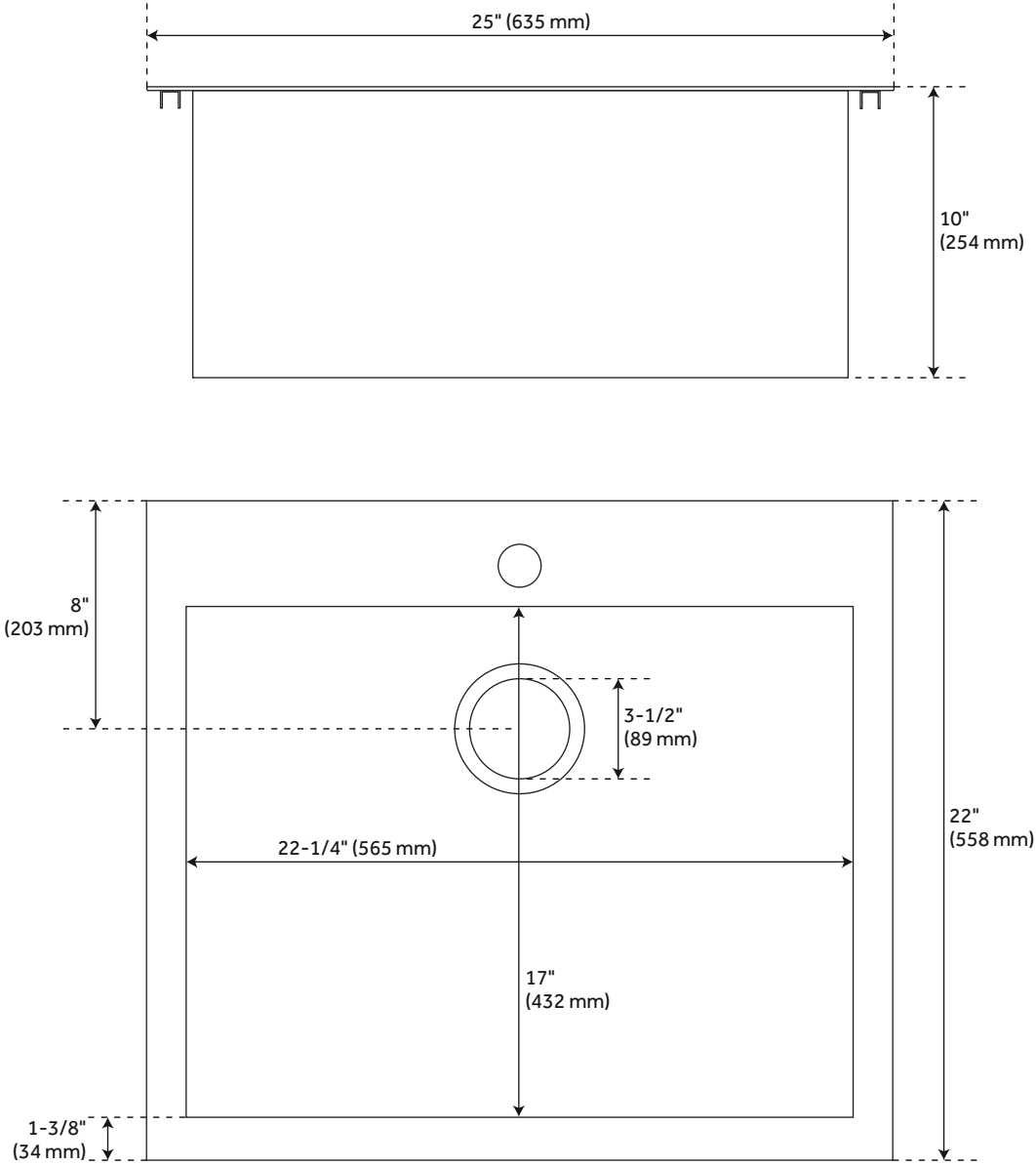
ADDITIONAL FEATURES

- Minimum Cabinet Size: 27".
- Type 304 stainless steel.
- It is recommended to have the sink at the job site before cutting cabinet or counter top.
- Sound absorption pads on the underside of sink.
- Has an undercoating to prevent condensation buildup.

REVISED 9/08/2023

25" SITKA STAINLESS STEEL UNDERMOUNT KITCHEN SINK - SINGLE-HOLE

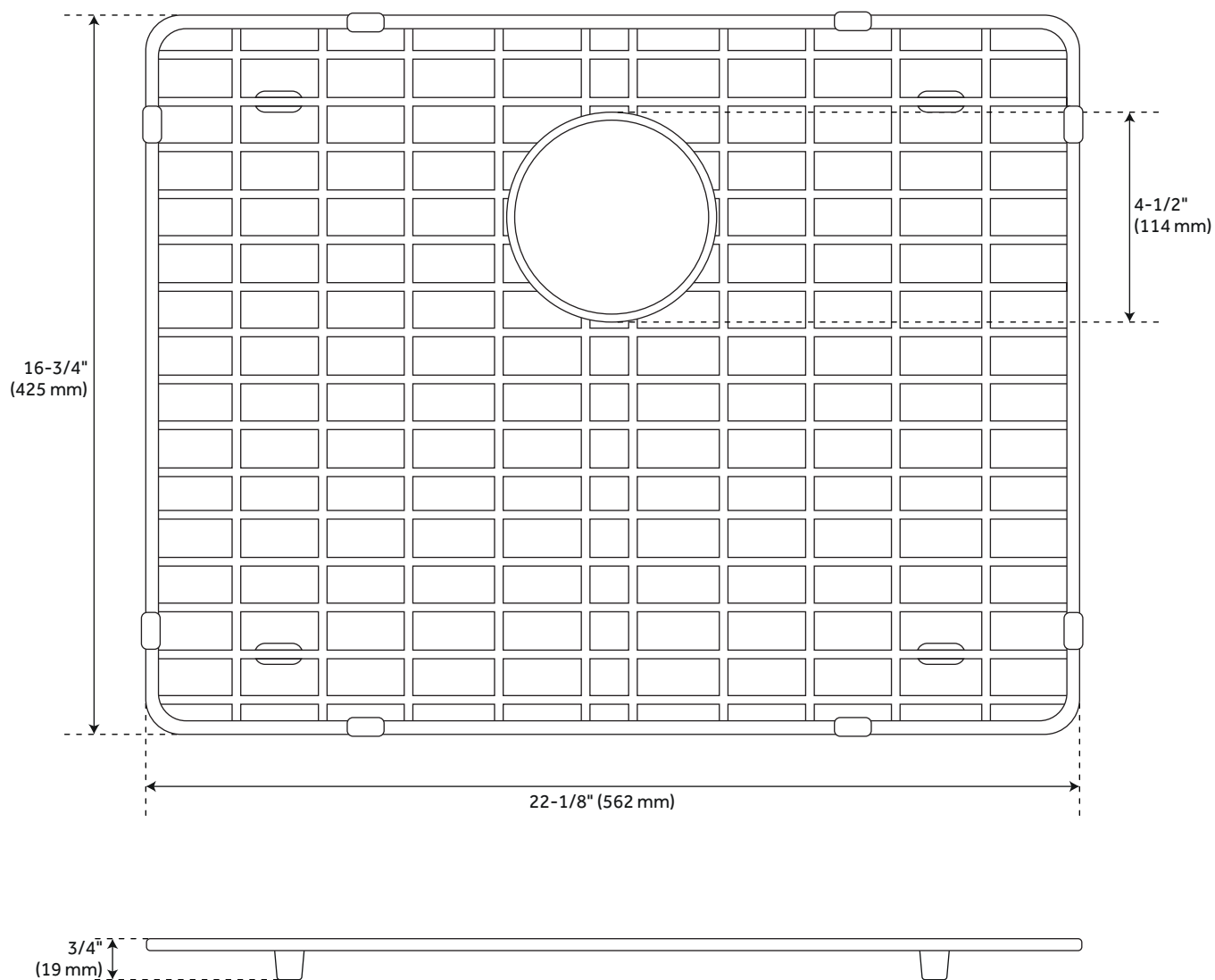
SKU: 948475
SHSKDM2522Z1



All dimensions and specifications are nominal and may vary. Use actual products for accuracy in critical situations.

OPTIONAL SINK GRID FOR 25" SITKA UNDERMOUNT KITCHEN SINK

SKU: 948475
SHG2217



All dimensions and specifications are nominal and may vary. Use actual products for accuracy in critical situations.