

25" SITKA STAINLESS STEEL DROP-IN KITCHEN SINK - SINGLE-HOLE

SKU: 948476

Code: SHSKDM2522Z1, SHG2217



FEATURES

- Length: 25"
- Width: 22"
- Height: 10"
- Mounting Hardware Included: Yes
- Number of Basins: 1
- Sink Installation: Drop-In
- Product Color: Stainless Steel
- Faucet Centers: Single-Hole Centered
- Basin Length: 22-1/4"
- Basin Width: 17"
- Fits Drain Hole Size: 3-1/2"
- Interior Treatment: Smooth
- Metal Gauge/Thickness: 18 Gauge
- Drain Included: Optional
- Faucet Included: No
- Sink Material: Stainless Steel
- Basin Configuration: Single
- Water Depth to Rim: 10"
- Faucet Holes: 1



REVISED 9/08/2023

25" SITKA STAINLESS STEEL DROP-IN KITCHEN SINK - SINGLE-HOLE

SKU: 948476

Code: SHSKDM2522Z1, SHG2217



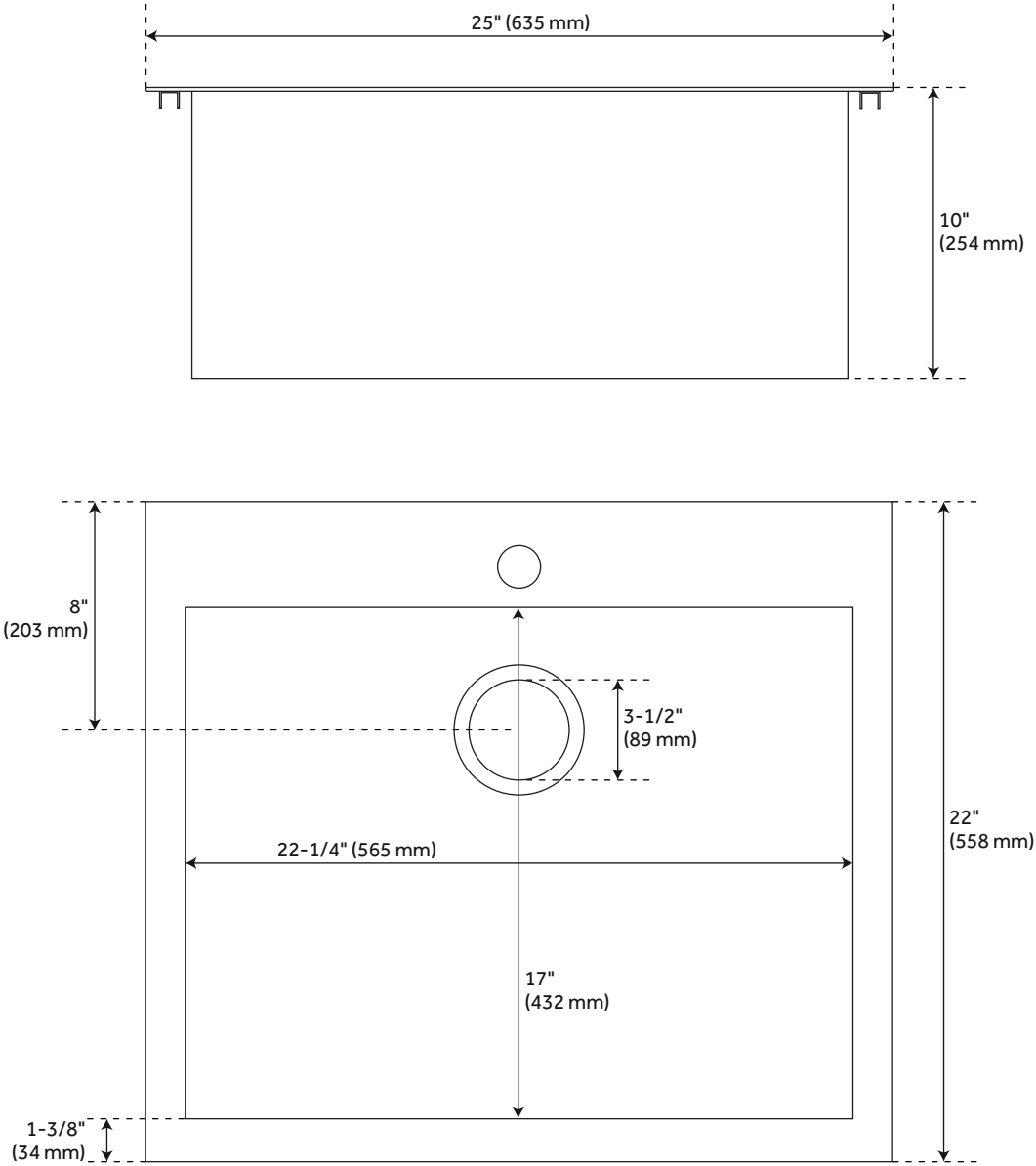
ADDITIONAL FEATURES

- Minimum Cabinet Size: 27".
- Type 304 stainless steel.
- It is recommended to have the sink at the job site before cutting cabinet or counter top.
- Sound absorption pads on the underside of sink.
- Has an undercoating to prevent condensation buildup.

REVISED 9/08/2023

25" SITKA STAINLESS STEEL DROP-IN KITCHEN SINK - SINGLE-HOLE

SKU: 948476
SHSKDM2522Z1

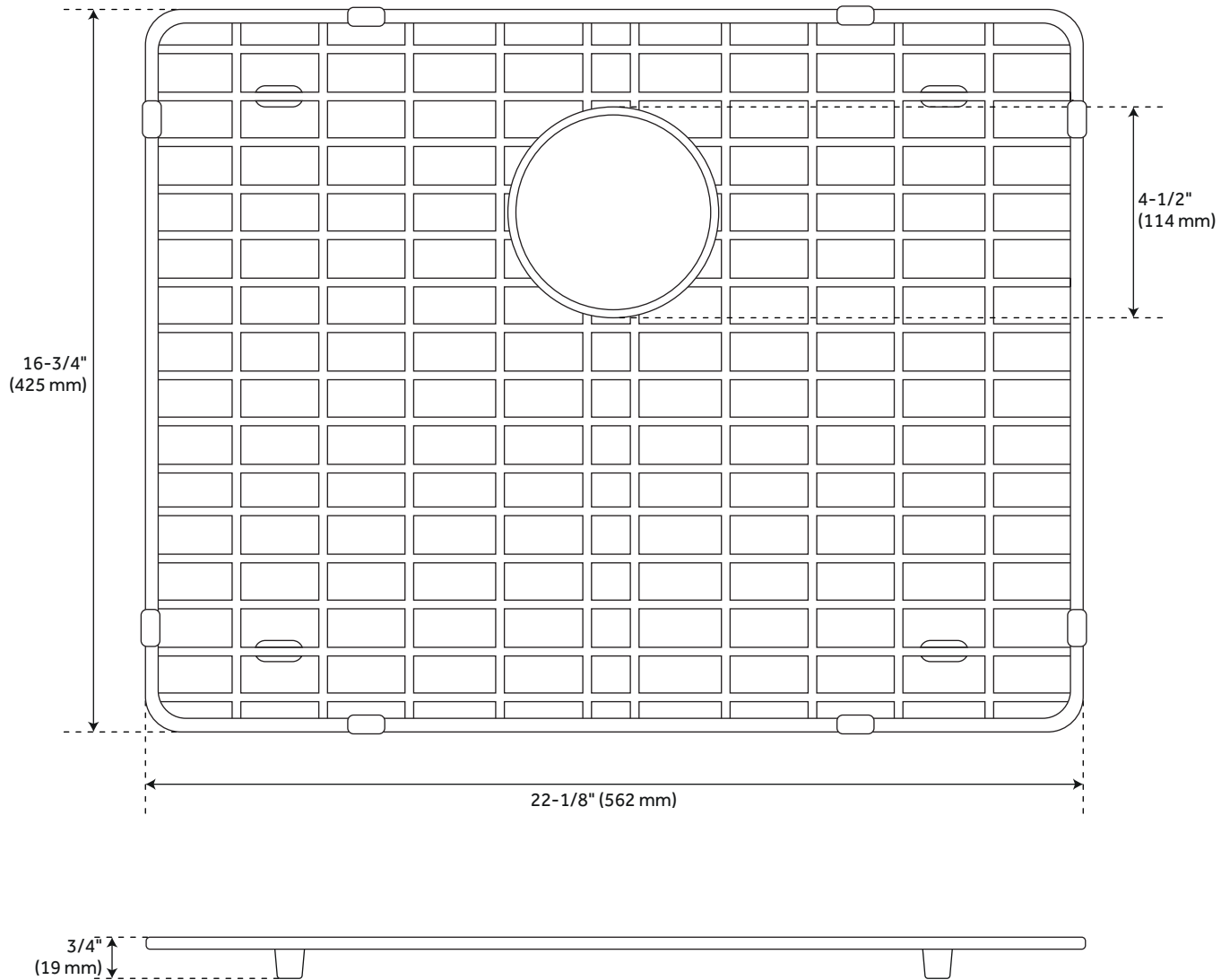


All dimensions and specifications are nominal and may vary. Use actual products for accuracy in critical situations.

OPTIONAL SINK GRID FOR 25" SITKA DROP-IN KITCHEN SINK

SKU: 948476

SHG2217



All dimensions and specifications are nominal and may vary. Use actual products for accuracy in critical situations.