

# 33" SITKA STAINLESS STEEL UNDERMOUNT KITCHEN SINK - 4-HOLE

SKU: 948477

Code: SHSKDM1BZ4, SHG3017



## FEATURES

Length: 33"  
Width: 22"  
Height: 9"  
Mounting Hardware Included: Yes  
Number of Basins: 1  
Sink Installation: Undermount  
Product Color: Stainless Steel  
Faucet Centers: 8"  
Basin Length: 30-1/4"  
Basin Width: 16-5/8"  
Fits Drain Hole Size: 3-1/2"  
Interior Treatment: Smooth  
Metal Gauge/Thickness: 18 Gauge  
Drain Included: Optional  
Faucet Included: No  
Sink Material: Stainless Steel  
Basin Configuration: Single  
Water Depth to Rim: 10"  
Faucet Holes: 3



REVISED 3/15/2023

# 33" SITKA STAINLESS STEEL UNDERMOUNT KITCHEN SINK - 4-HOLE

SKU: 948477

Code: SHSKDM1BZ4, SHG3017



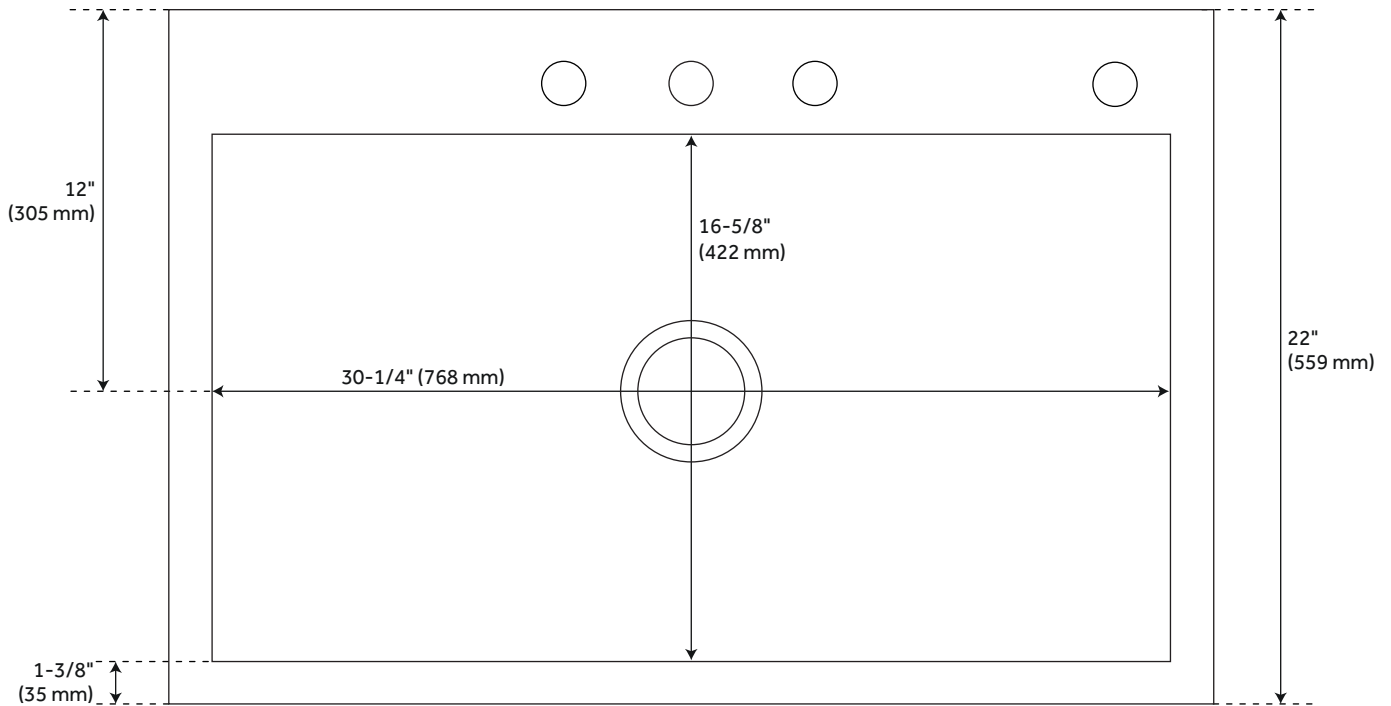
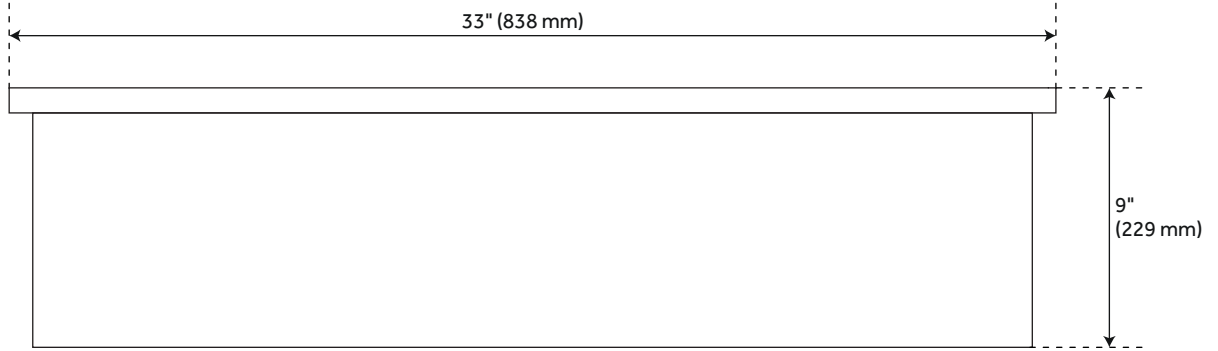
## ADDITIONAL FEATURES

- Minimum Cabinet Size: 36".
- Type 304 stainless steel.
- It is recommended to have the sink at the job site before cutting cabinet or counter top.
- Sound absorption pads on the underside of sink.
- Has an undercoating to prevent condensation buildup.

REVISED 3/15/2023

# 33" SITKA STAINLESS STEEL UNDERMOUNT KITCHEN SINK - 4-HOLE

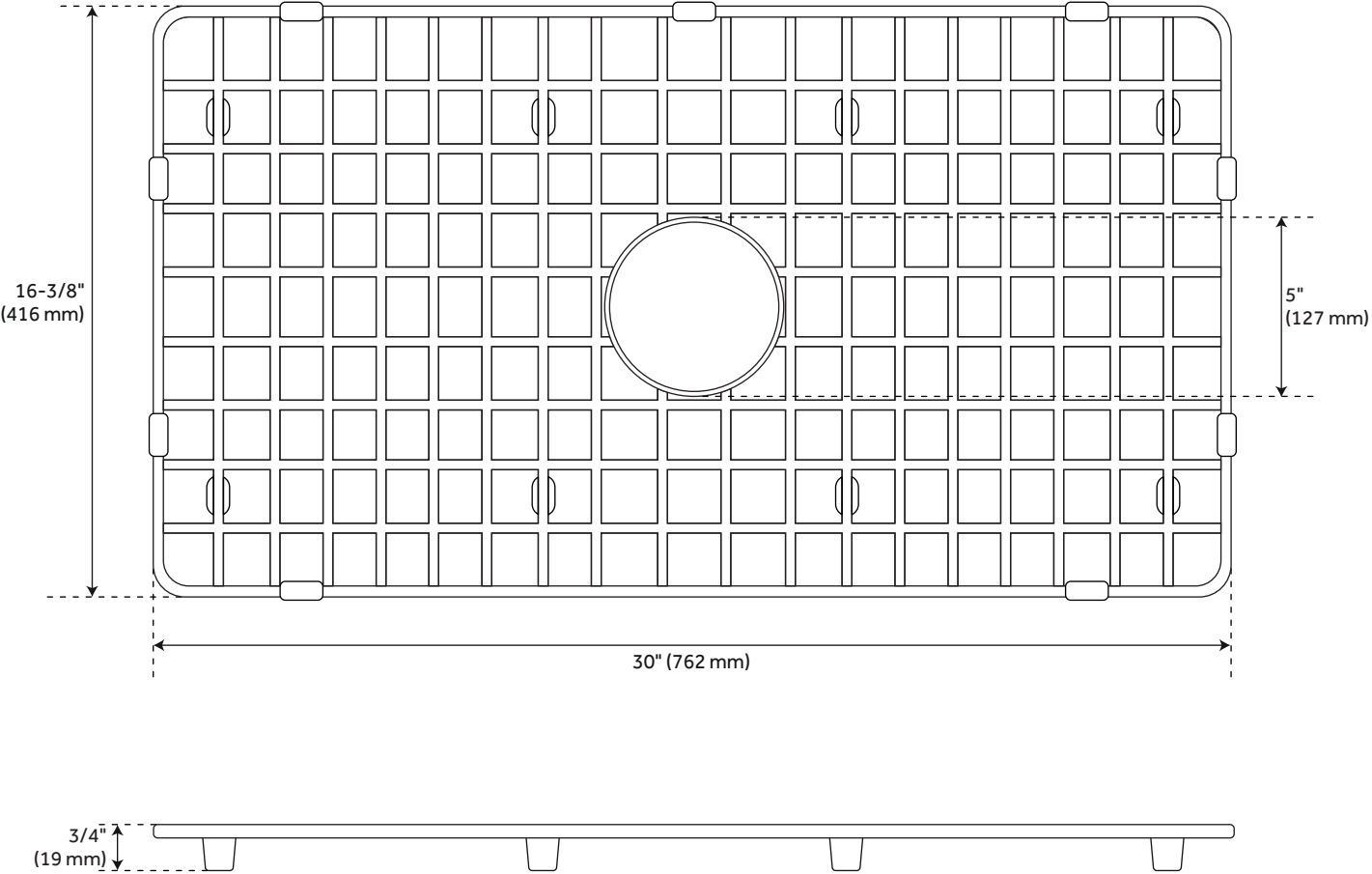
SKU: 948477  
SHSKDM1BZ4



All dimensions and specifications are nominal and may vary. Use actual products for accuracy in critical situations.

# OPTIONAL SINK GRID FOR 33" SITKA UNDERMOUNT KITCHEN SINK

SKU: 948477  
SHG3017



All dimensions and specifications are nominal and may vary. Use actual products for accuracy in critical situations.