

33" SITKA OFFSET DOUBLE-BOWL STAINLESS STEEL UNDERMOUNT SINK - SINGLE-HOLE

SKU: 948483

Code: SHSKDM2BZL1, SHG1116, SHG1716



FEATURES

Length: 33"
Width: 22"
Height: 10"
Mounting Hardware Included: Yes
Number of Basins: 2
Sink Installation: Undermount
Product Color: Stainless Steel
Faucet Centers: Single-Hole Centered
Fits Drain Hole Size: 3-1/2"
Interior Treatment: Smooth
Metal Gauge/Thickness: 18 Gauge
Drain Included: Optional
Faucet Included: No
Sink Material: Stainless Steel
Basin Configuration: 60/40
Large Bowl Length: 17-1/2"
Large Bowl Width: 16-5/8"
Small Bowl Length: 11-3/4"
Small Bowl Width: 16-5/8"
Water Depth to Rim: 10"
Faucet Holes: 1



REVISED 9/8/2023

33" SITKA OFFSET DOUBLE-BOWL STAINLESS STEEL UNDERMOUNT SINK - SINGLE-HOLE

SKU: 948483

Code: SHSKDM2BZL1, SHG1116, SHG1716



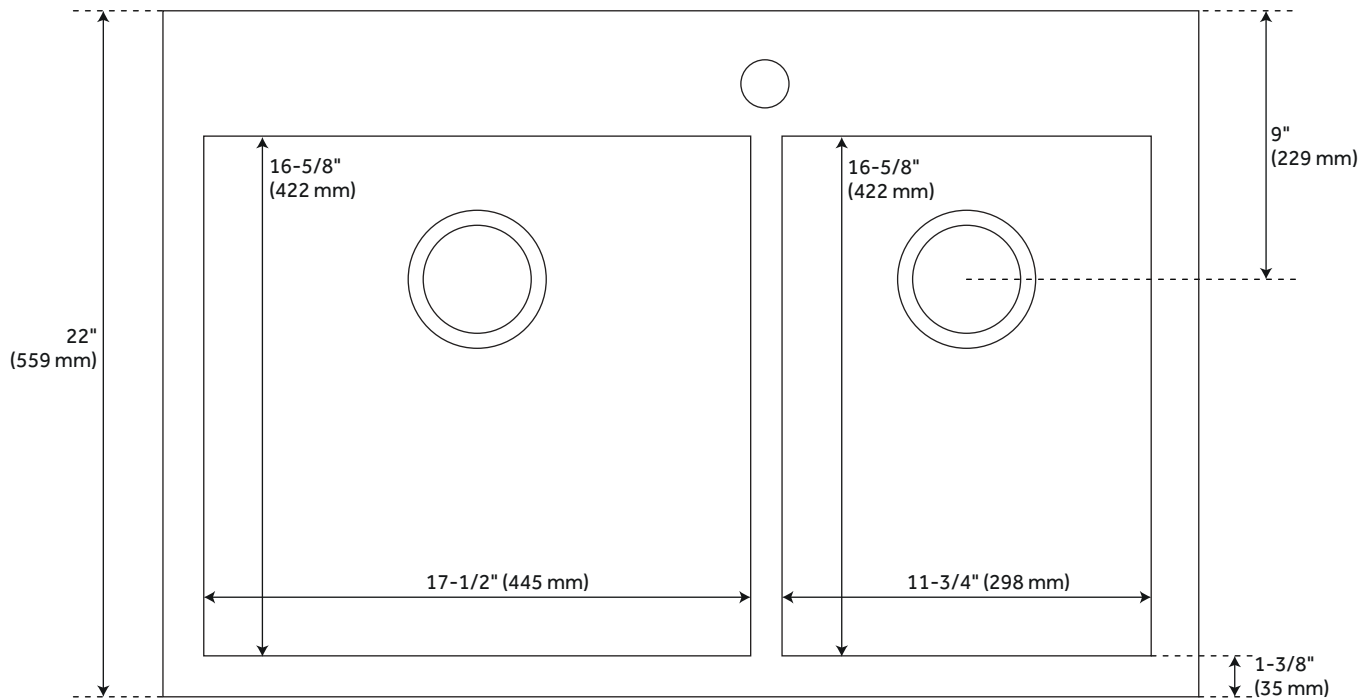
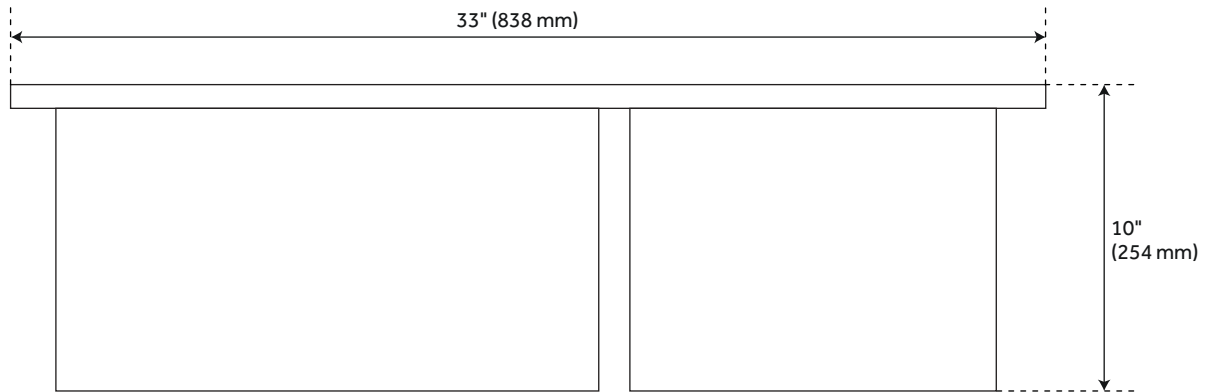
ADDITIONAL FEATURES

- It is recommended to have the sink at the job site before cutting cabinet or counter top. Sound absorption pads on the underside of sink.
- Has an undercoating to prevent condensation buildup.

REVISED 9/8/2023

33" SITKA OFFSET DOUBLE-BOWL STAINLESS STEEL UNDERMOUNT SINK - SINGLE-HOLE

SKU: 948483
SHSKDM2BZL1

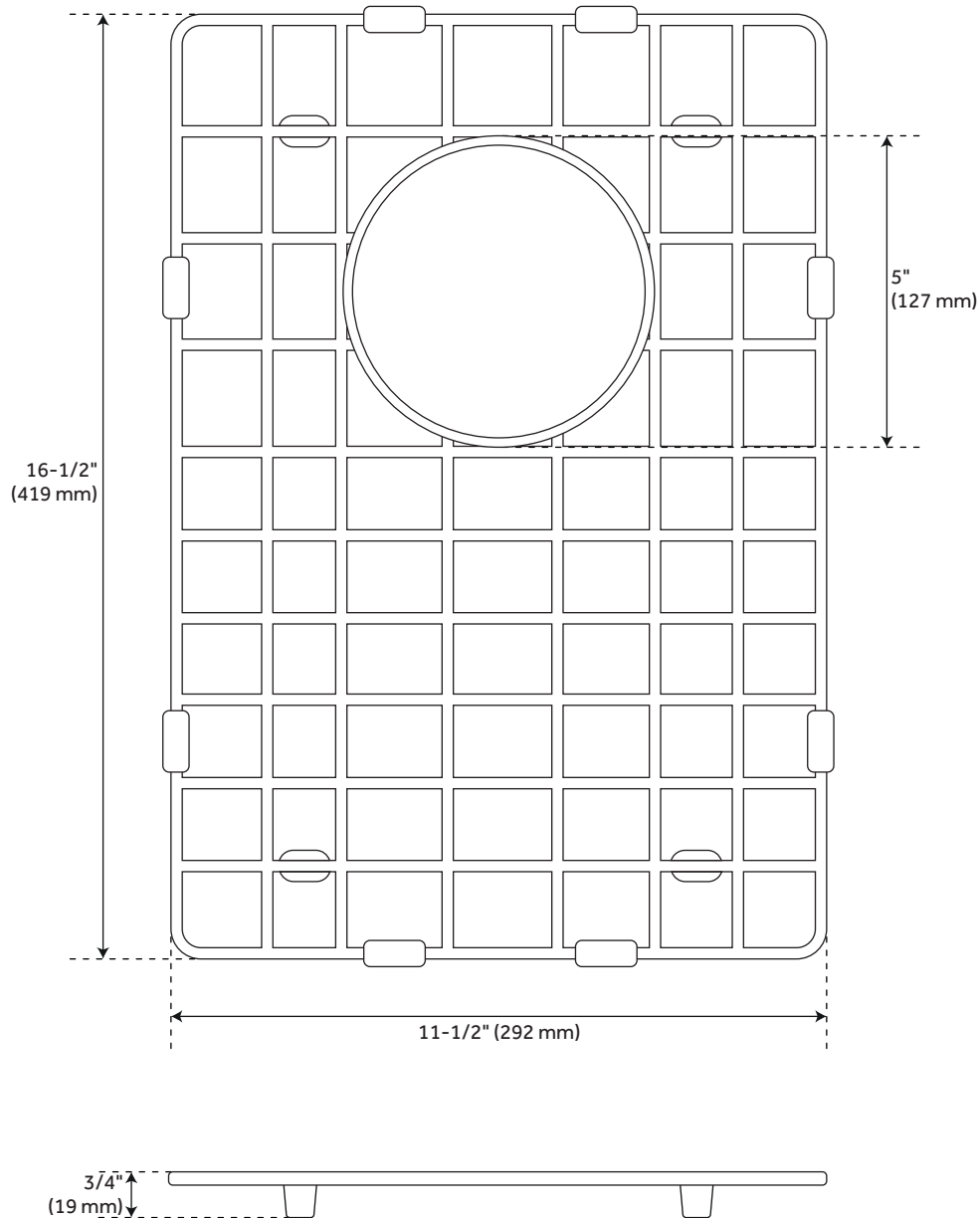


All dimensions and specifications are nominal and may vary. Use actual products for accuracy in critical situations.

OPTIONAL SINK GRID FOR 33" SITKA OFFSET DOUBLE-BOWL UNDERMOUNT SINK

SKU: 948483

SHG1116

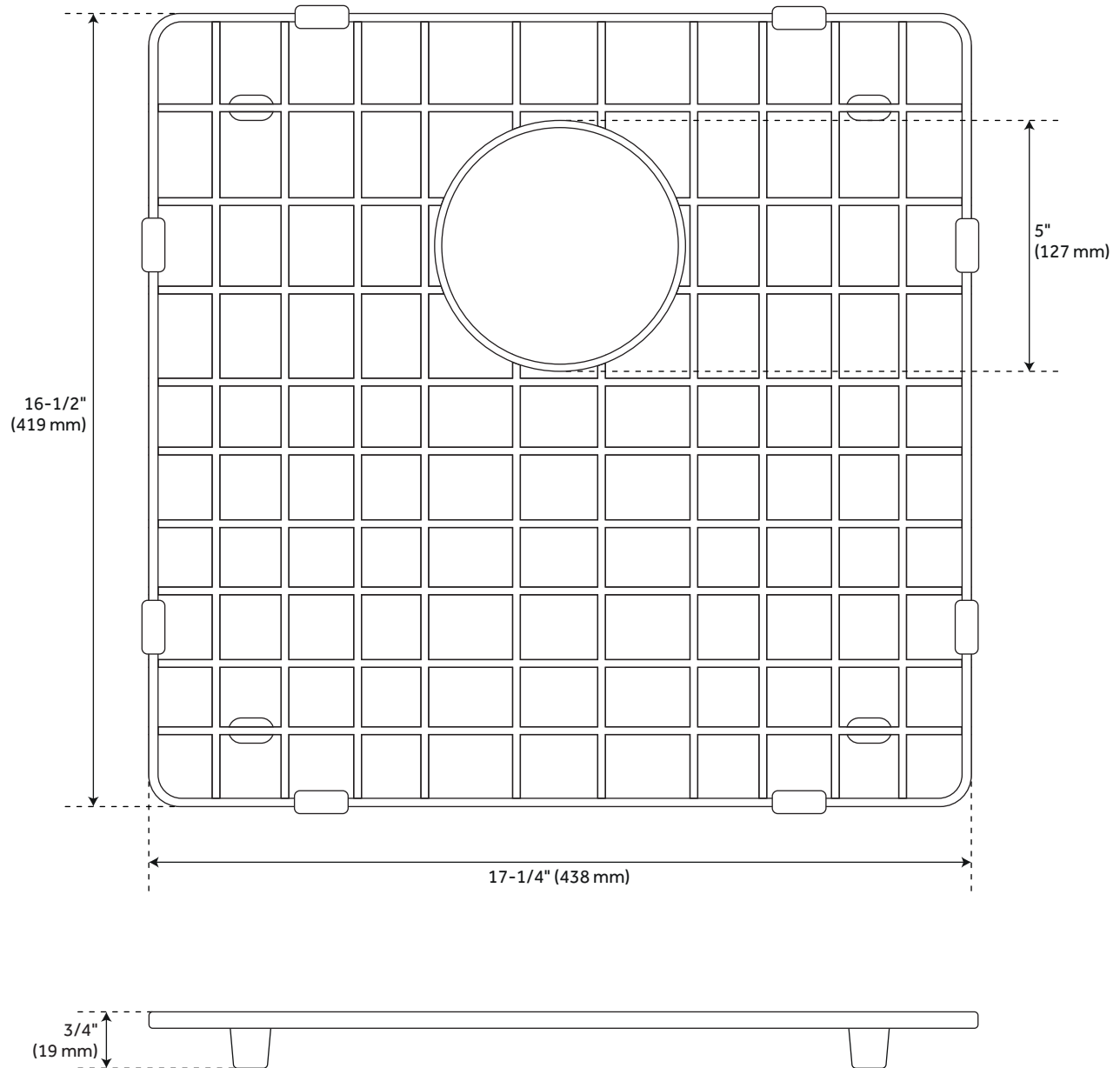


All dimensions and specifications are nominal and may vary. Use actual products for accuracy in critical situations.

OPTIONAL SINK GRID FOR 33" SITKA OFFSET DOUBLE-BOWL UNDERMOUNT SINK

SKU: 948483

SHG1716



All dimensions and specifications are nominal and may vary. Use actual products for accuracy in critical situations.