

33" ORTEGA DOUBLE-BOWL STAINLESS STEEL UNDERMOUNT SINK - 4-HOLE

SKU: 948486

Code: SHORDM2BE4, SHG1517



FEATURES

- Length: 33"
- Width: 22"
- Height: 9"
- Mounting Hardware Included: Yes
- Number of Basins: 2
- Sink Installation: Undermount
- Product Color: Stainless Steel
- Faucet Centers: 8"
- Fits Drain Hole Size: 3-1/2"
- Interior Treatment: Smooth
- Metal Gauge/Thickness: 18 Gauge
- Drain Included: Optional
- Faucet Included: No
- Sink Material: Stainless Steel
- Basin Configuration: 50/50
- Water Depth to Rim: 9"
- Faucet Holes: 3



REVISED 3/15/2023

33" ORTEGA DOUBLE-BOWL STAINLESS STEEL UNDERMOUNT SINK - 4-HOLE

SKU: 948486

Code: SHORDM2BE4, SHG1517



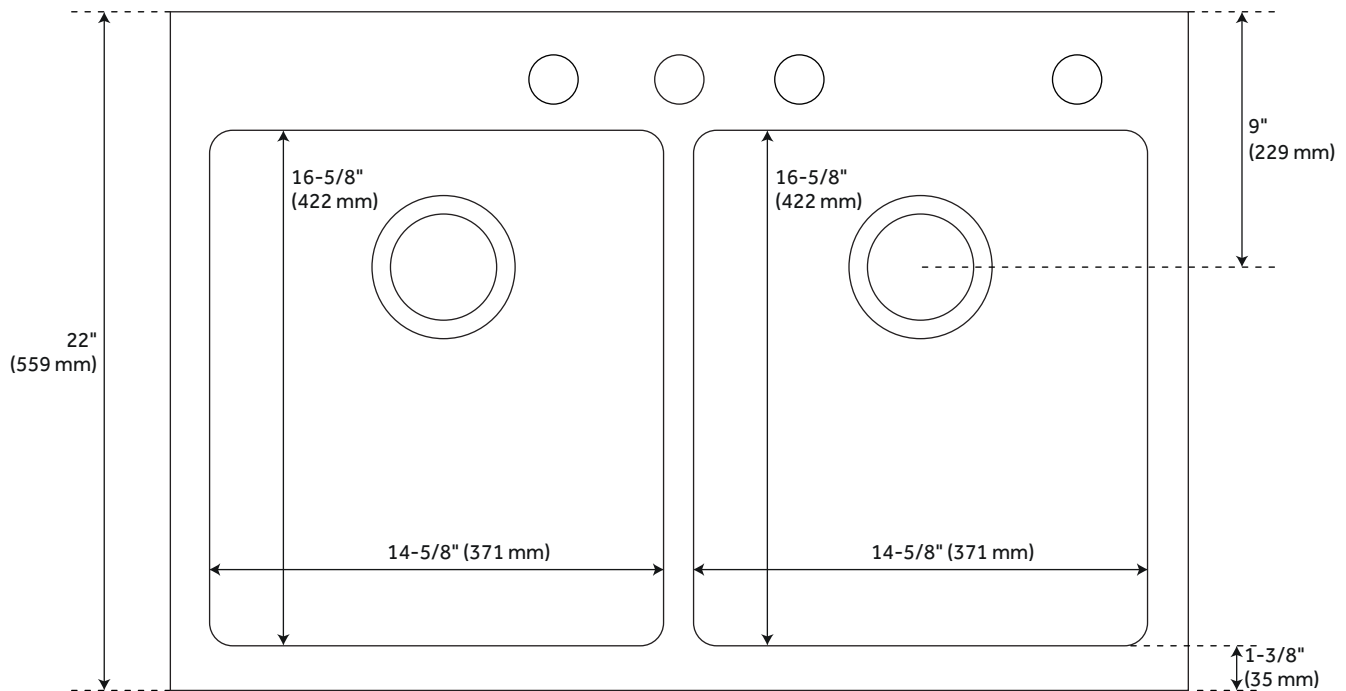
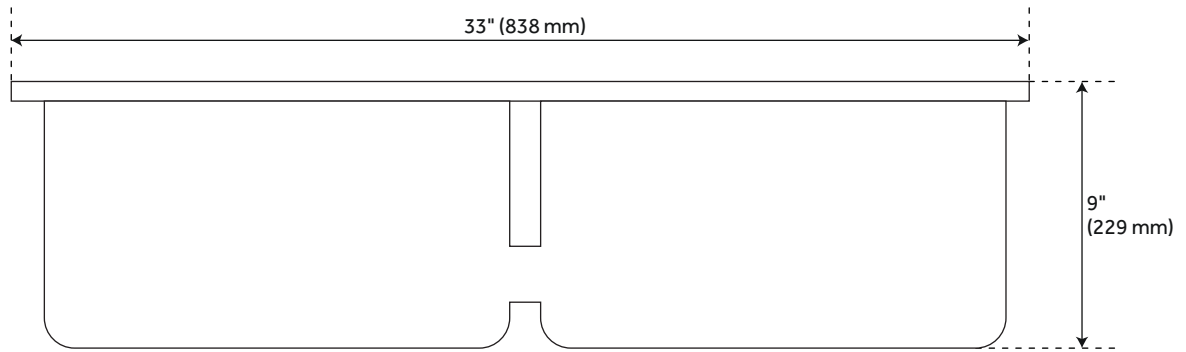
ADDITIONAL FEATURES

- Type 304 stainless steel.
- It is recommended to have the sink at the job site before cutting cabinet or counter top.
- Sound absorption pads on the underside of sink.
- Has an undercoating to prevent condensation buildup.

REVISED 3/15/2023

33" ORTEGA DOUBLE-BOWL STAINLESS STEEL UNDERMOUNT SINK - 4-HOLE

SKU: 948486
SHORDM2BE4

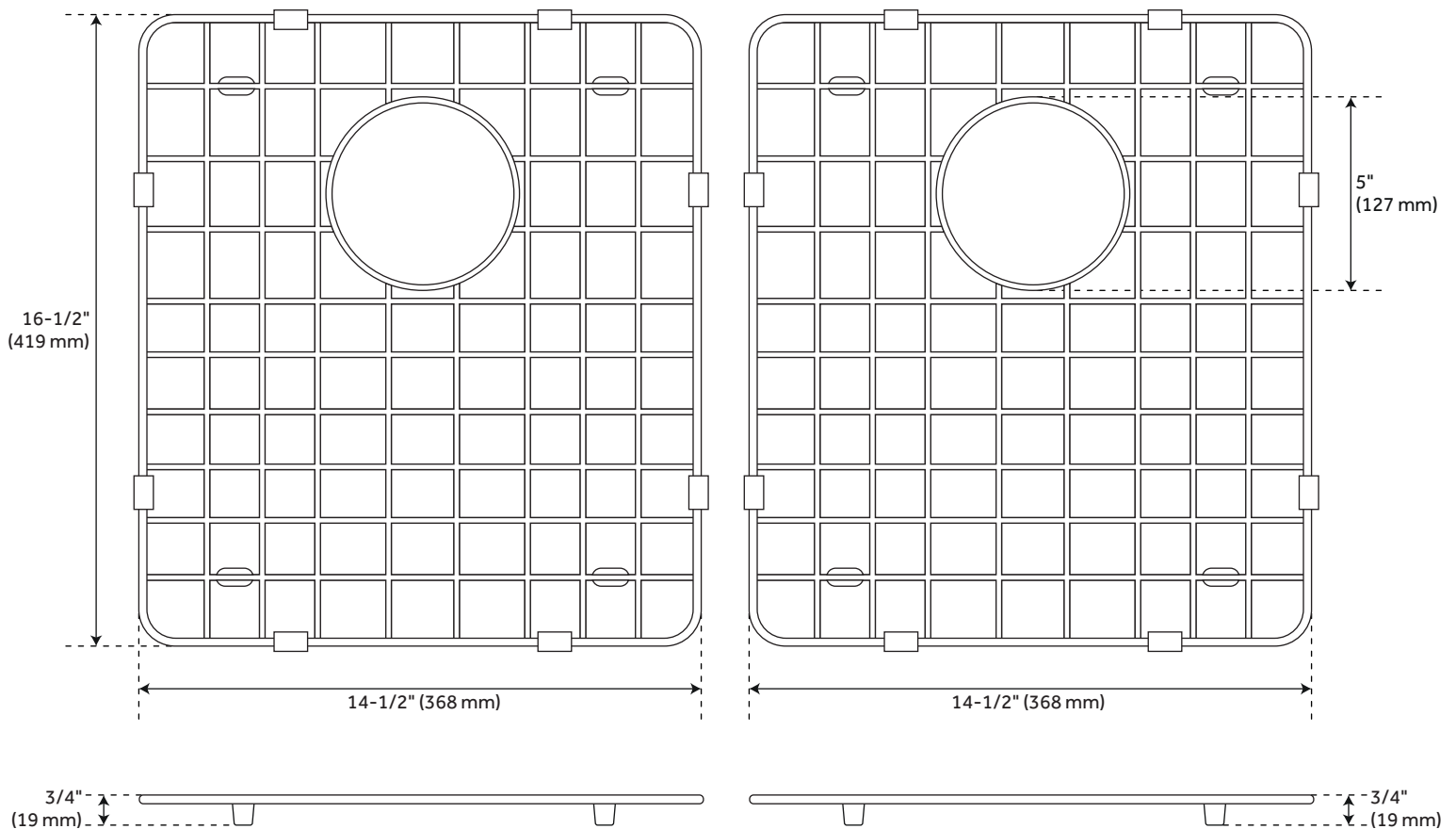


All dimensions and specifications are nominal and may vary. Use actual products for accuracy in critical situations.

OPTIONAL SINK GRID FOR 33" ORTEGA DOUBLE-BOWL UNDERMOUNT SINK

SKU: 948486

SHG1517



All dimensions and specifications are nominal and may vary. Use actual products for accuracy in critical situations.