

33" ORTEGA DOUBLE-BOWL STAINLESS STEEL SINK - 4-HOLE

SKU: 948486 & 948487

Code: SHORDMA2BE4, SHG1517



FEATURES

Length: 33"

Width: 22"

Height: 9"

Mounting Hardware Included:

Yes Number of Basins: 2

Sink Installation: Undermount,
Drop-In

Product Color: Stainless Steel

Faucet Centers: 8"

Fits Drain Hole Size: 3-1/2"

Interior Treatment: Smooth

Metal Gauge/Thickness: 18

Gauge Drain Included: Optional

Faucet Included: No

Sink Material: Stainless Steel

Basin Configuration: 50/50

Water Depth to Rim: 9"

Faucet Holes: 3



REVISED 2/24/2023

33" ORTEGA DOUBLE-BOWL STAINLESS STEEL SINK - 4-HOLE

SKU: 948487 & 948486

Code: SHORDMA2BE4, SHG1517



ADDITIONAL FEATURES

- Type 304 stainless steel.
- It is recommended to have the sink at the job site before cutting cabinet or counter top.
- Sound absorption pads on the underside of sink.
- Has an undercoating to prevent condensation buildup.

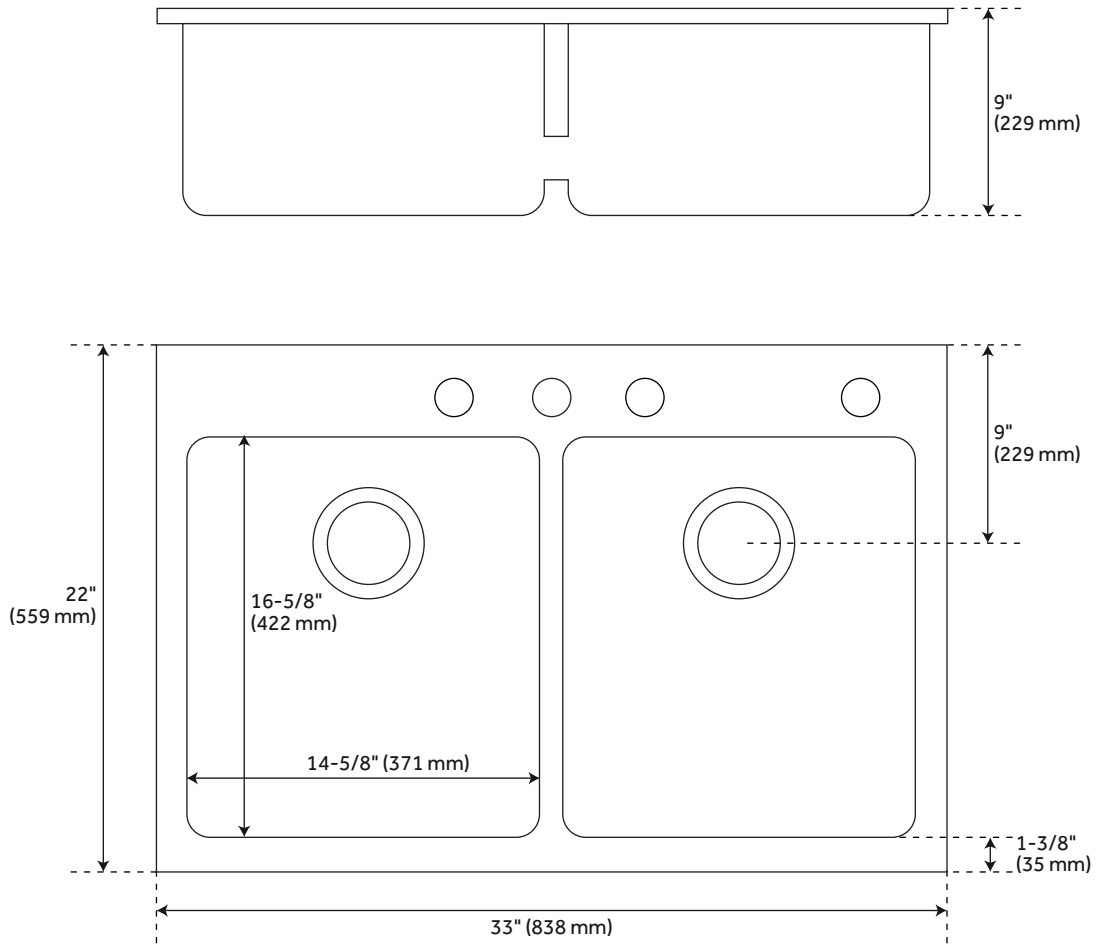
REVISED 2/24/2023

33" ORTEGA

DOUBLE-BOWL STAINLESS STEEL SINK - 4-HOLE

SKU: 948487 & 948486

Code: SHORDMA2BE4, SHG1517



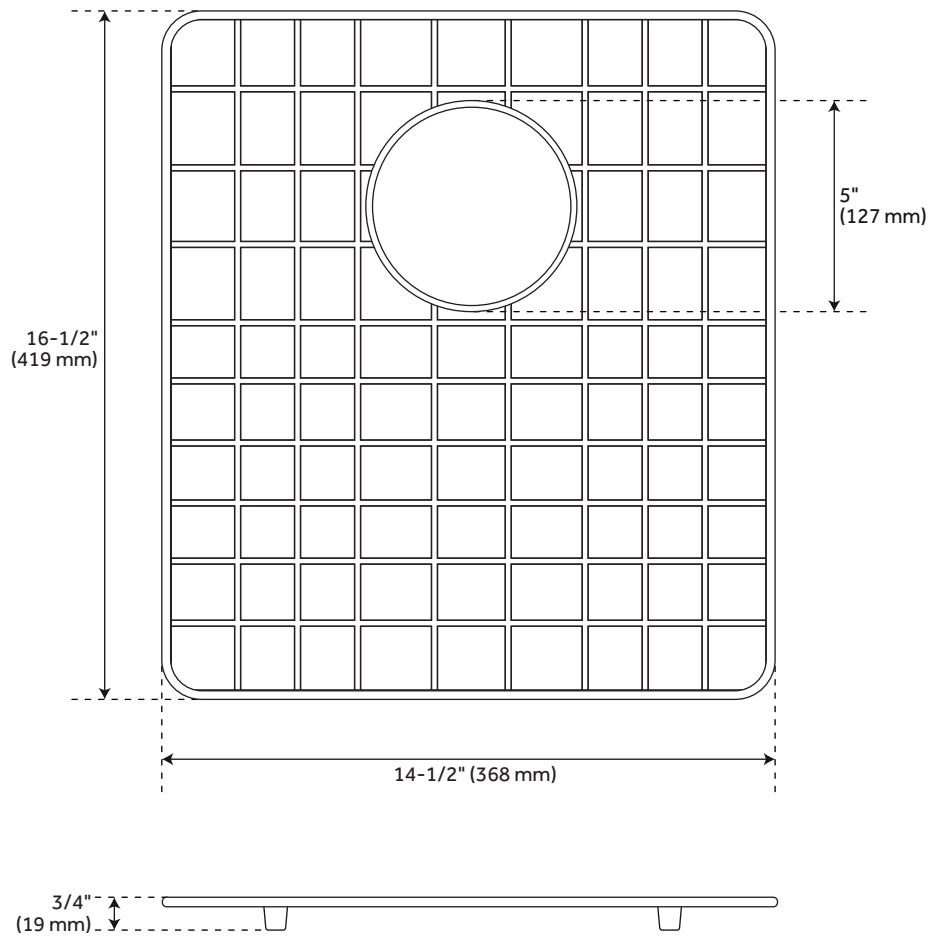
All dimensions and specifications are nominal and may vary. Use actual products for accuracy in critical situations.

SINK GRID

DOUBLE-BOWL STAINLESS STEEL SINK - 4-HOLE

SKU: 948487 & 948486

Code: SHORDMA2BE4, SHG1517



All dimensions and specifications are nominal and may vary. Use actual products for accuracy in critical situations.