

RAVENEL SINGLE-HOLE BAR FAUCET

SKU: 948525

Code: SHXCRA103, SHXCRA103Z



FEATURES

Material: Metal construction for strength and durability

Installation Type: Single-Hole

Flow Rate: 1.75 gpm (6.6 L/min) @ 60 psi

Cartridge Type: Ceramic Disc

Swivel Spout: Yes

ASME A112.18.1/CSA B125.1, NSF/ANSI 372, NSF/ANSI 61, NSF/ANSI/CAN 61, NSF/ANSI/CAN 61-9:Q≤1, CEC Listed, CALGreen, WaterSense by IAPMO, Massachusetts Accepted, LISTED ID: SHXCRA103**



ADDITIONAL FEATURES

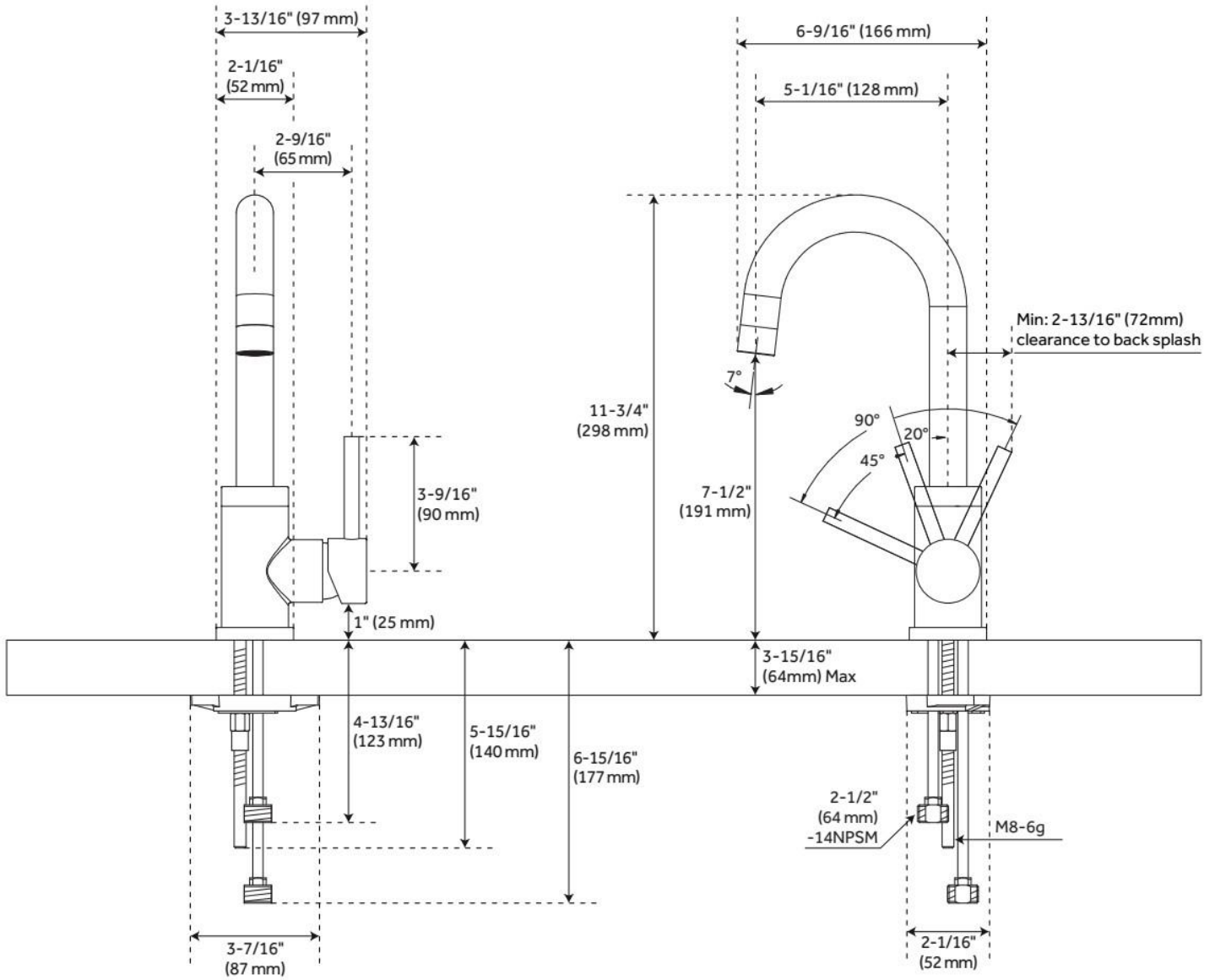
- Braided nylon supplies.

REVISED 5/21/2024

RAVENEL SINGLE-HOLE BAR FAUCET

SKU: 948525

Code: SHXCRA103, SHXCRA103Z



REVISED 5/21/2024