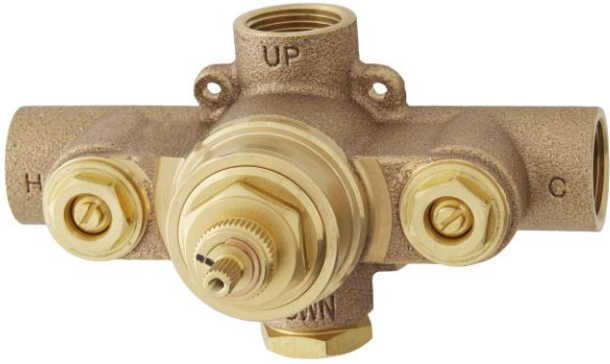


# THERMOSTATIC ROUGH-IN SHOWER VALVE

SKU: 948545  
Code: SH6004, SH6006

## FEATURES

Features: Thermostatic



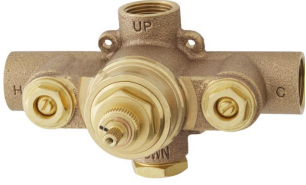
ASME A112.18.1/CSA B125.1

REVISED 3/22/2023

# THERMOSTATIC ROUGH-IN SHOWER VALVE

SKU: 948545

Code: SH6004, SH6006



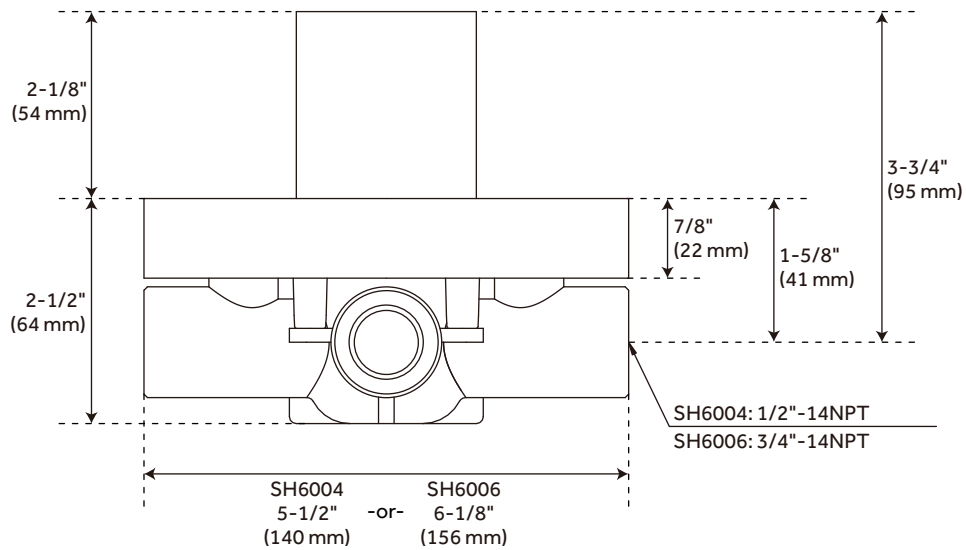
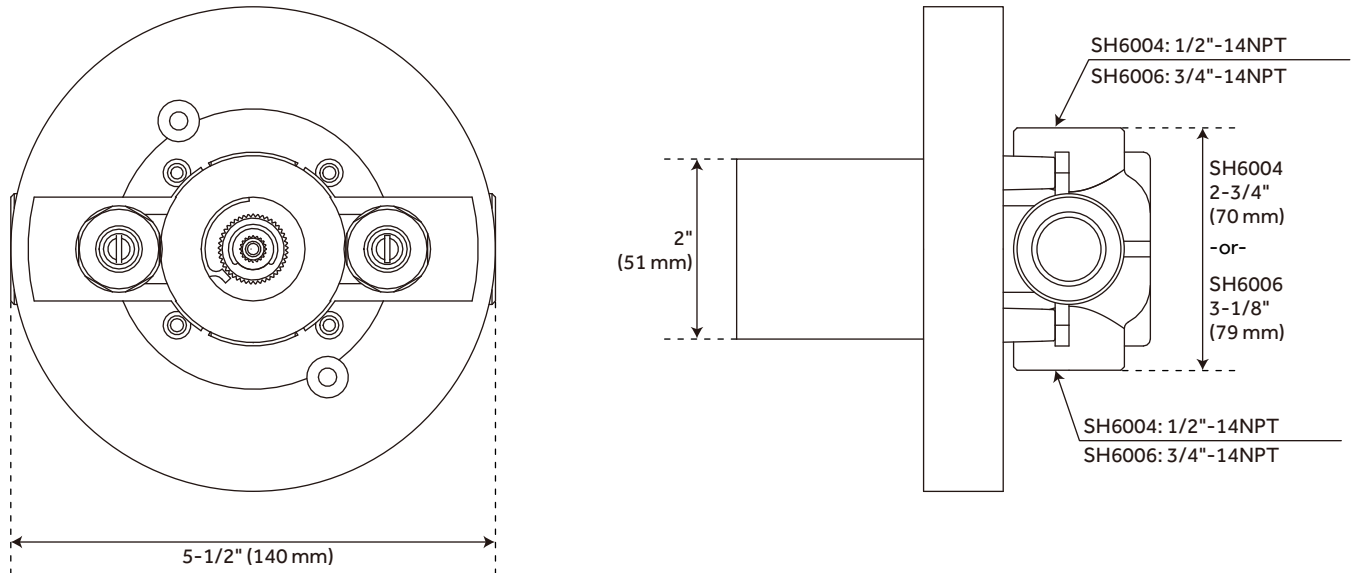
## ADDITIONAL FEATURES

- Compatible with Beasley, Edenton, Greyfield, Hibiscus and Pinecrest, Provincetown and Vilamonte Thermostatic Valve Trim.
- For proper installation, requires use of volume control valve and trim.
- Bronze valve body.
- Factory-calibrated comfort setting at 104 degrees Fahrenheit.
- Water inlet stops and check valve.
- Thermostatic technology keeps shower temperature  $\pm 1$  degree Celsius.

REVISED 3/22/2023

# THERMOSTATIC ROUGH-IN SHOWER VALVE

SKU: 948545  
SH6004, SH6006



All dimensions and specifications are nominal and may vary. Use actual products for accuracy in critical situations.