

GREYFIELD THERMOSTATIC SHOWER VALVE

SKU: 948556

Code: SHGF9009, SHGF9009, SH6004, SHGF9009, SH6006



FEATURES

Installation Type: Wall Mount
Features: Thermostatic
Design: Modern
Material: Brass
Mounting Hardware Included: Yes
Assembly Required: No
Handle Type: Lever
Installation Type: Wall Mount
Valve Trim Width: 6-5/8"
Valve Trim Height: 6-5/8"
Valve Trim Diameter: 6-5/8"

ASME A112.18.1/CSA B125.1

REVISED 3/17/2023

GREYFIELD THERMOSTATIC SHOWER VALVE

SKU: 948556

Code: SHGF9009, SHGF9009, SH6004, SHGF9009, SH6006



ADDITIONAL FEATURES

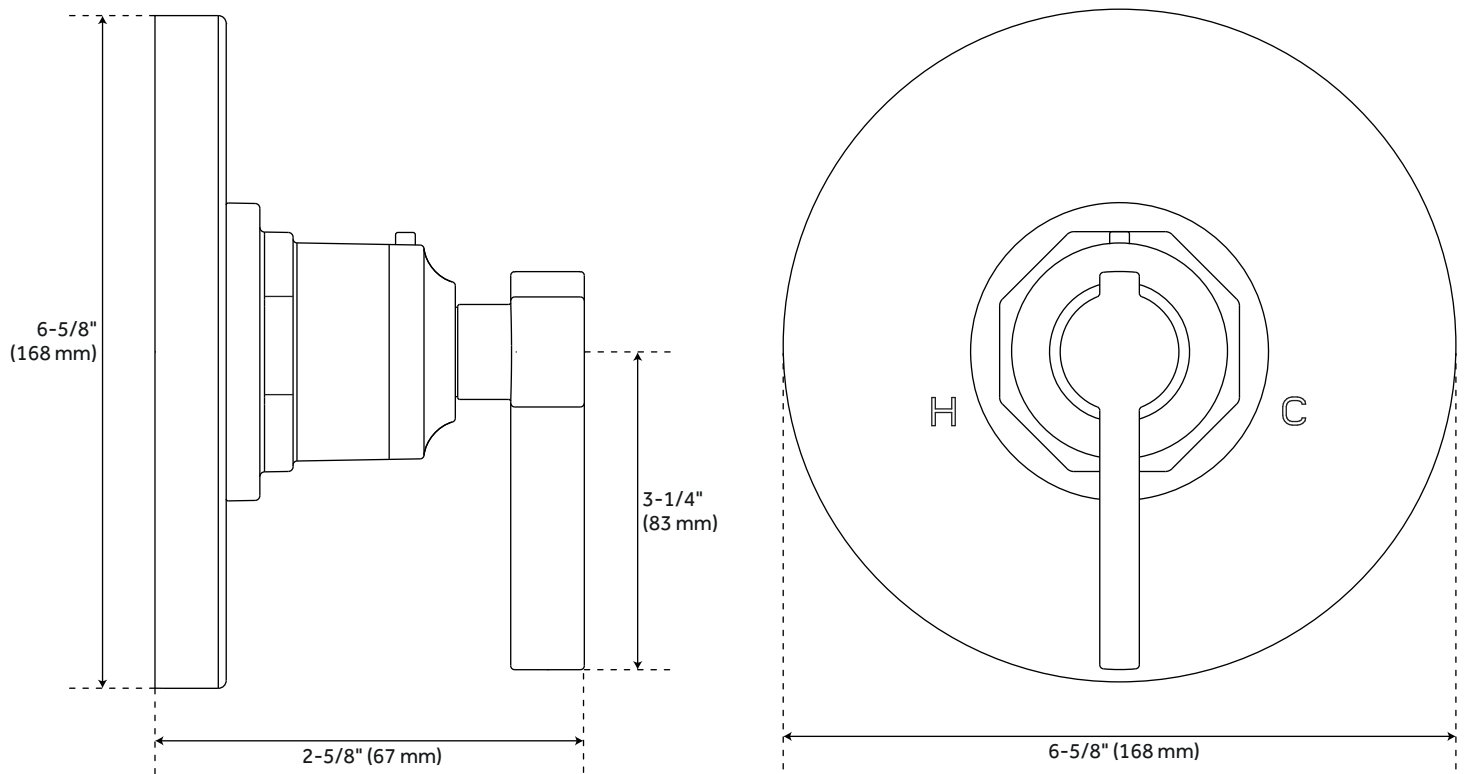
- Metal handle.
- Temperature outlet factory preset to 104 degrees Fahrenheit.
- Temperature can be easily adjusted up and down to user's comfort level.
- Scald guard protection.
- High temperature limit stop.
- Thermostatic technology keeps shower temperature within 1 degree Celsius.
- For proper installation, requires use of volume control valve and trim.
- Wall thickness range: 1" to 1-3/4"
- Optional Rough-in Valve:
 - Bronze valve body.
 - Ceramic cartridge.
 - Integral water stops and check valve.
 - Recommended valve installation depth 1-5/8" to 2-3/8"
 - Must be installed in accordance with provided installation instructions.

REVISED 3/17/2023

GREYFIELD THERMOSTATIC SHOWER VALVE

SKU: 948556

SHGF9009, SHGF9009Z

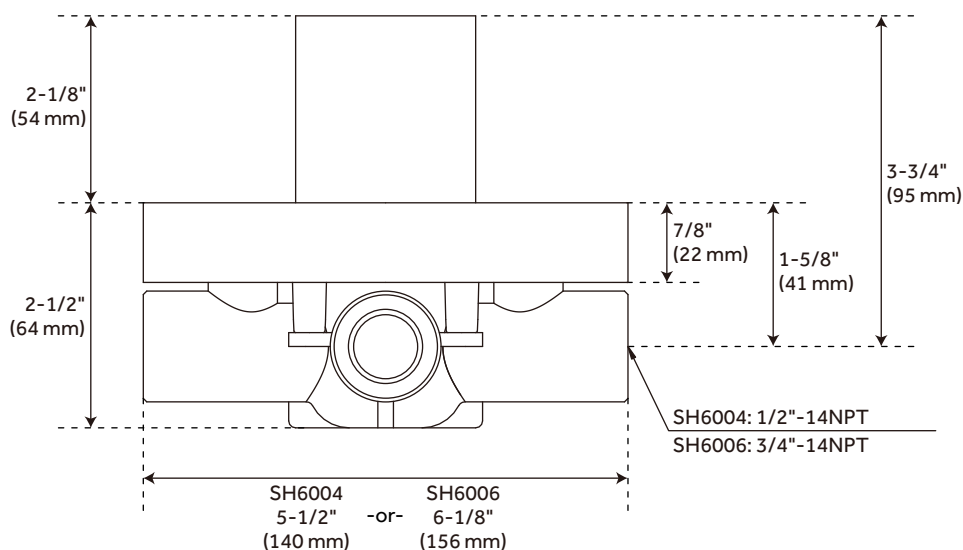
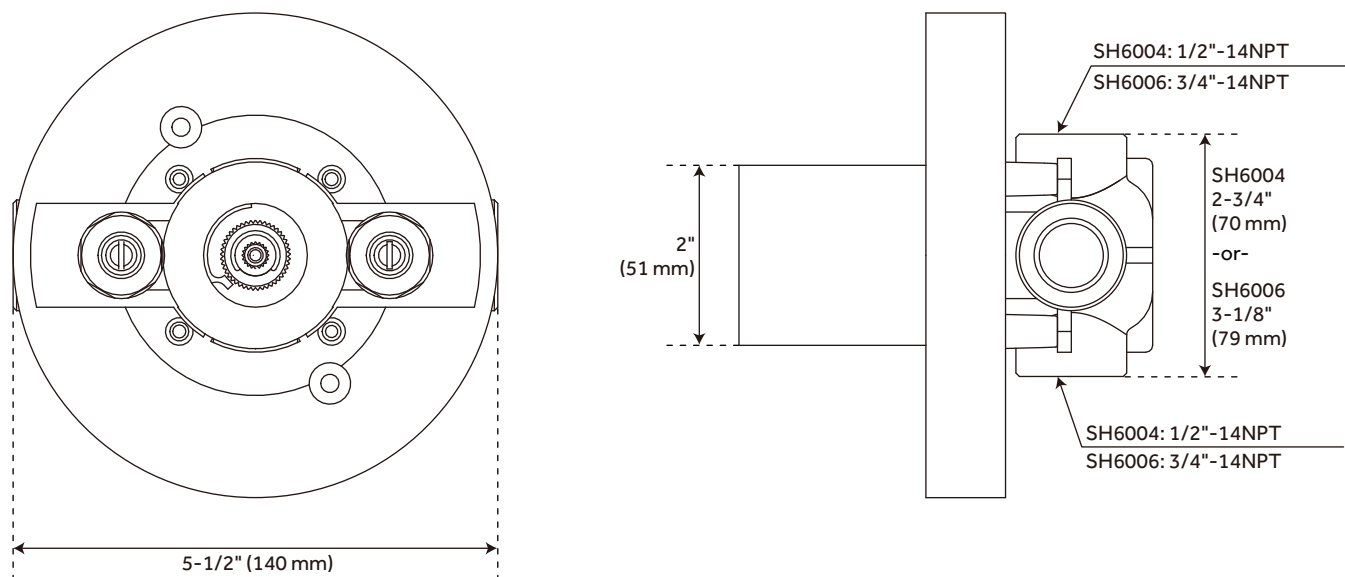


All dimensions and specifications are nominal and may vary. Use actual products for accuracy in critical situations.

GREYFIELD OPTIONAL THERMOSTATIC VALVE WITH 1/2" -OR- 3/4" CONNECTION

SKU: 948556

SH6004, SH6006



All dimensions and specifications are nominal and may vary. Use actual products for accuracy in critical situations.