

# 29" ORTEGA STAINLESS STEEL UNDERMOUNT KITCHEN SINK

SKU: 948562

Code: SHORUC2918, SHG2616, SH417855



## FEATURES

- Material: Stainless Steel
- Length: 29"
- Width: 18-1/2"
- Height: 9-1/4"
- Number of Basins: 1
- Sink Installation: Undermount
- Product Color: Stainless Steel Faucet
- Centers: No Faucet Hole
- Basin Length: 27"
- Basin Width: 16-3/8"
- Rim Thickness: 1"
- Fits Drain Hole Size: 3-1/2"
- Exterior Treatment: Smooth Interior Treatment: Smooth
- Metal Gauge/Thickness: 18 Gauge
- Drain Included: Optional
- Faucet Included: No
- Sink Material: Stainless Steel
- Basin Configuration: Single
- Shape: Rectangle
- Water Depth to Rim: 9"
- Faucet Holes: No Faucet Hole



REVISED 9/8/2023

# 29" ORTEGA STAINLESS STEEL UNDERMOUNT KITCHEN SINK

SKU: 948562

Code: SHORUC2918, SHG2616, SH417855



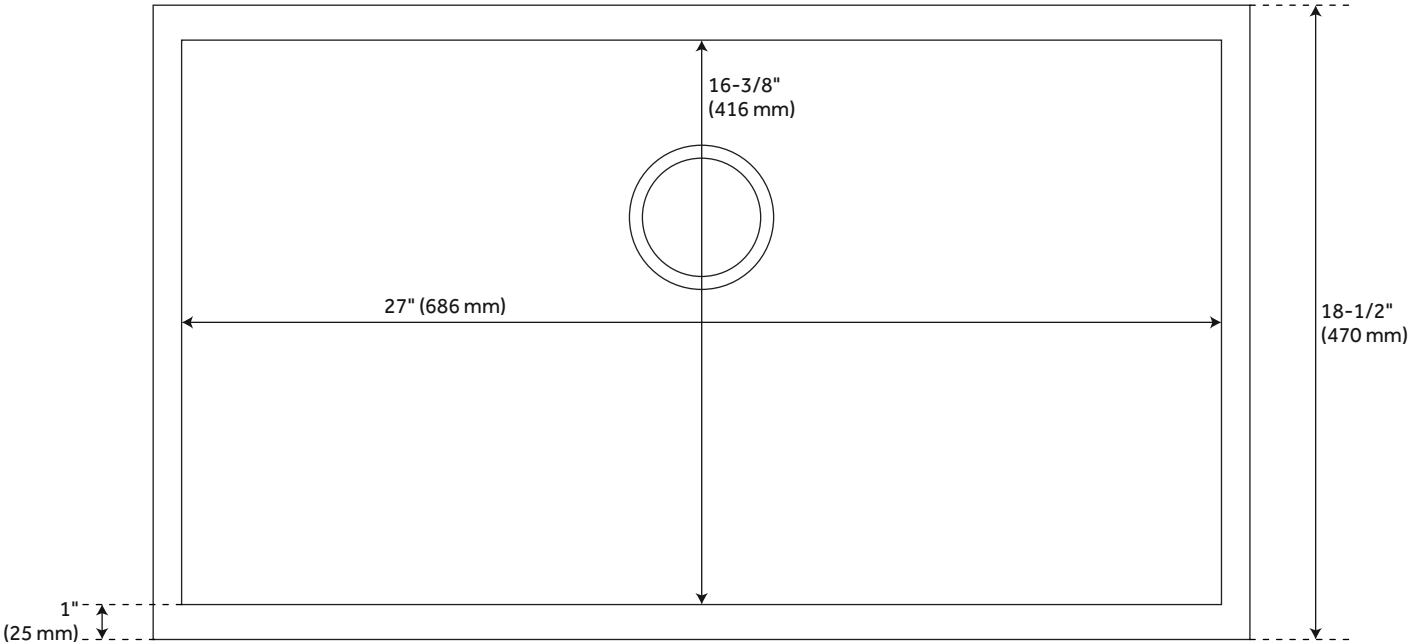
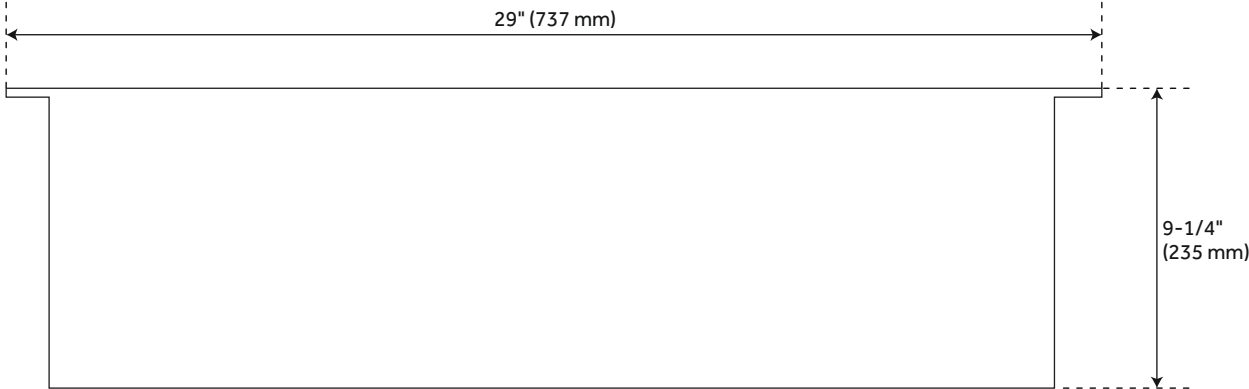
## ADDITIONAL FEATURES

- It is recommended to have the sink at the job site before cutting cabinet or counter top.
- Sound absorption pads on the underside of sink.
- Has an undercoating to prevents condensation buildup.
- Sink Grid Measurements: 26-5/8" L x 16-1/8" W.

REVISED 9/8/2023

# 29" ORTEGA STAINLESS STEEL UNDERMOUNT KITCHEN SINK

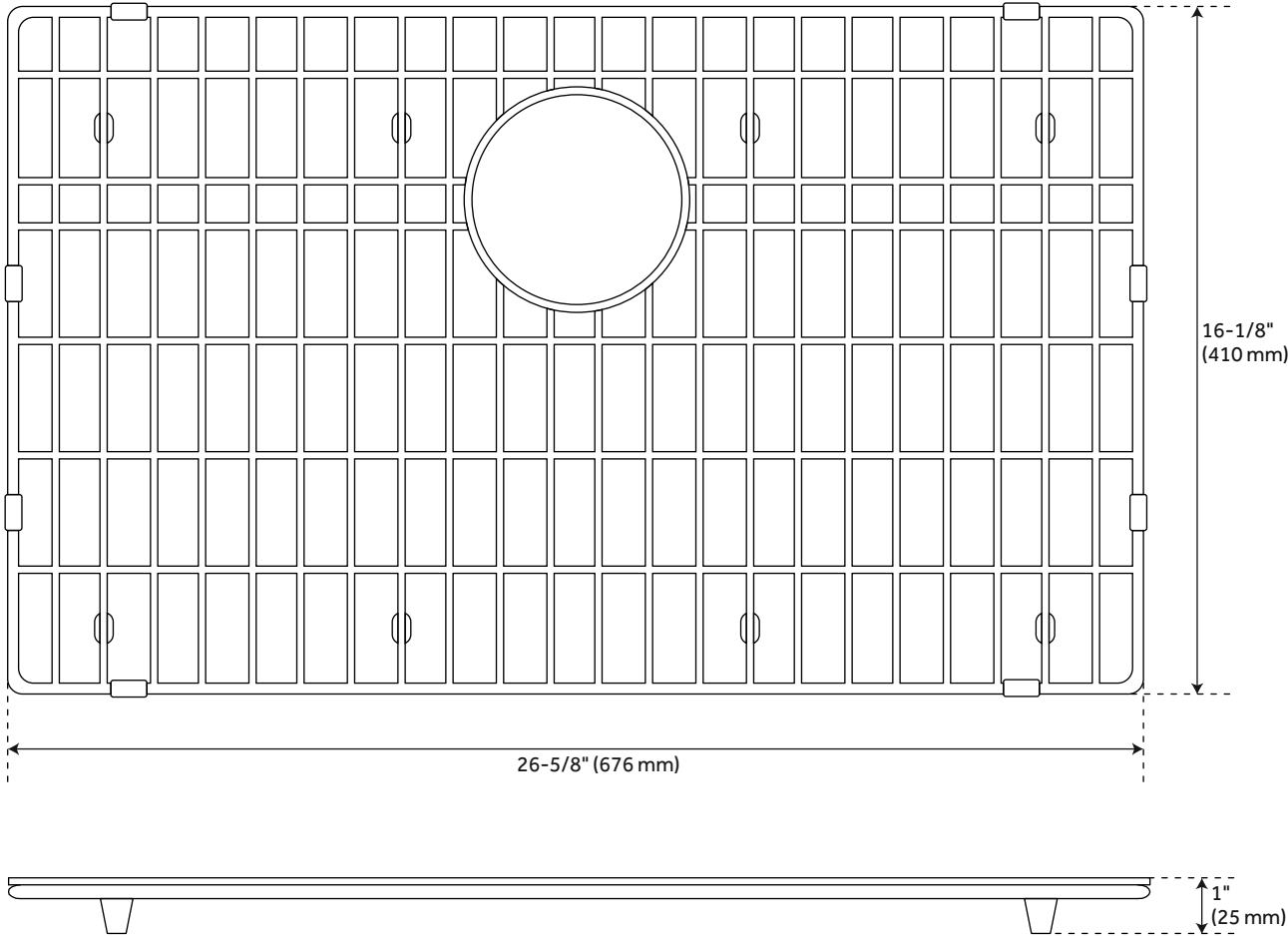
SKU: 948562  
SHORUC2918



All dimensions and specifications are nominal and may vary. Use actual products for accuracy in critical situations.

# OPTIONAL SINK GRID FOR 29" ORTEGA UNDERMOUNT KITCHEN SINK

SKU: 948562  
SHG2616



All dimensions and specifications are nominal and may vary. Use actual products for accuracy in critical situations.