

32" CALVERTON 60/40 LOW-DIVIDE DOUBLE-BOWL STAINLESS STEEL UNDERMOUNT SINK

SKU: 948567

Code: SHCAURB3218L, SHG1513, SHG913, SH417855



FEATURES

Length: 32"
Width: 18-1/2"
Height: 8-7/8"
Number of Basins: 2
Sink Installation: Undermount
Product Color: Stainless Steel
Faucet Centers: No Faucet Hole
Rim Thickness: 1"
Fits Drain Hole Size: 3-1/2"
Exterior Treatment: Smooth
Interior Treatment: Smooth
Metal Gauge/Thickness: 16 Gauge
Drain Included: Optional
Faucet Included: No
Sink Material: Stainless Steel
Basin Configuration: 60/40
Large Bowl Length: 17"
Large Bowl Width: 16-1/2"
Small Bowl Length: 10-3/4"
Small Bowl Width: 16-1/2"
Water Depth to Rim: 8-1/2"
Faucet Holes: No Faucet Hole
Reversible Mounting: Yes



REVISED 3/15/2023

32" CALVERTON 60/40 LOW-DIVIDE DOUBLE-BOWL STAINLESS STEEL UNDERMOUNT SINK

SKU: 948567

Code: SHCAURB3218L, SHG1513, SHG913, SH417855



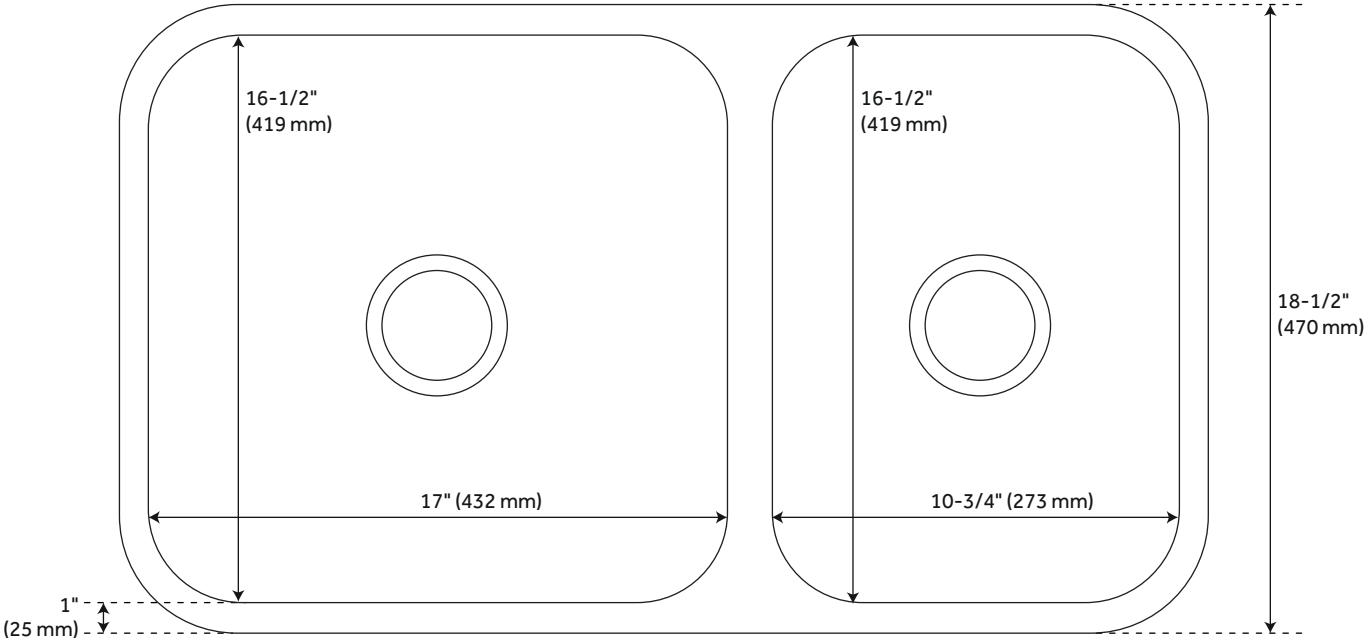
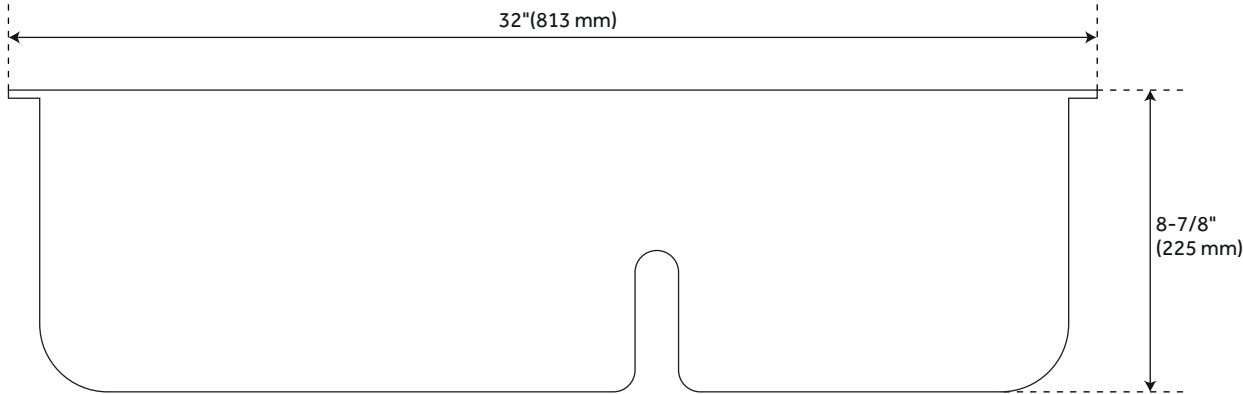
ADDITIONAL FEATURES

- It is recommended to have the sink at the job site before cutting cabinet or counter top.
- Features a low center divide for maneuvering large pots and pans.
- Sound absorption pads on the underside of sink.
- Has an undercoating to prevents condensation buildup.
- Small Sink Grid Measurements: 8-11/16" L x 13-9/16" W.
- Large Sink Grid Measurements: 14-15/16" L x 13-9/16" W.

REVISED 3/15/2023

32" CALVERTON 60/40 LOW-DIVIDE DOUBLE-BOWL STAINLESS STEEL UNDERMOUNT SINK

SKU: 948567
SHCAURB3218L

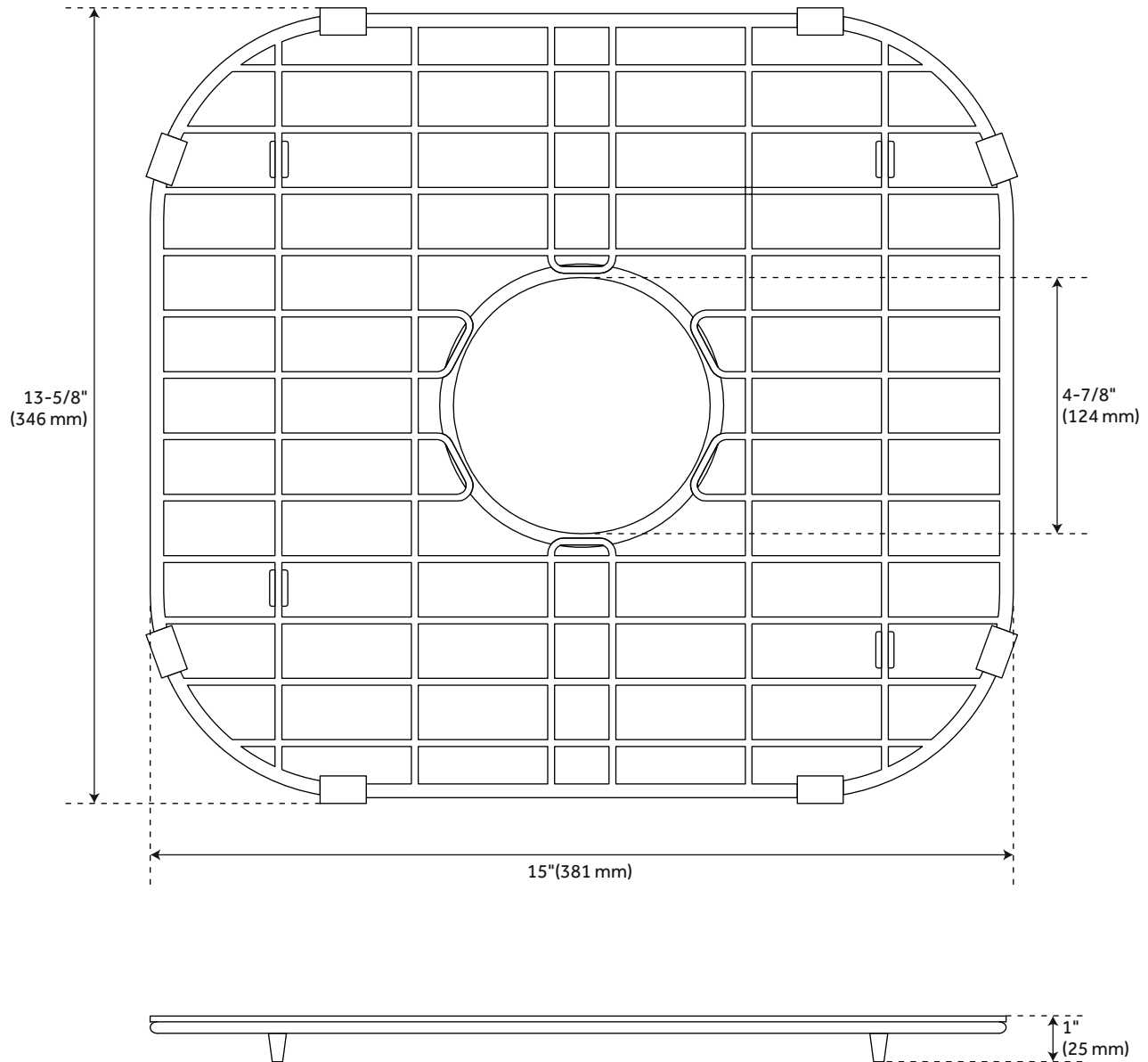


All dimensions and specifications are nominal and may vary. Use actual products for accuracy in critical situations.

OPTIONAL SINK GRID FOR 32" CALVERTON 60/40 DOUBLE-BOWL UNDERMOUNT SINK

SKU: 948567

SHG1513

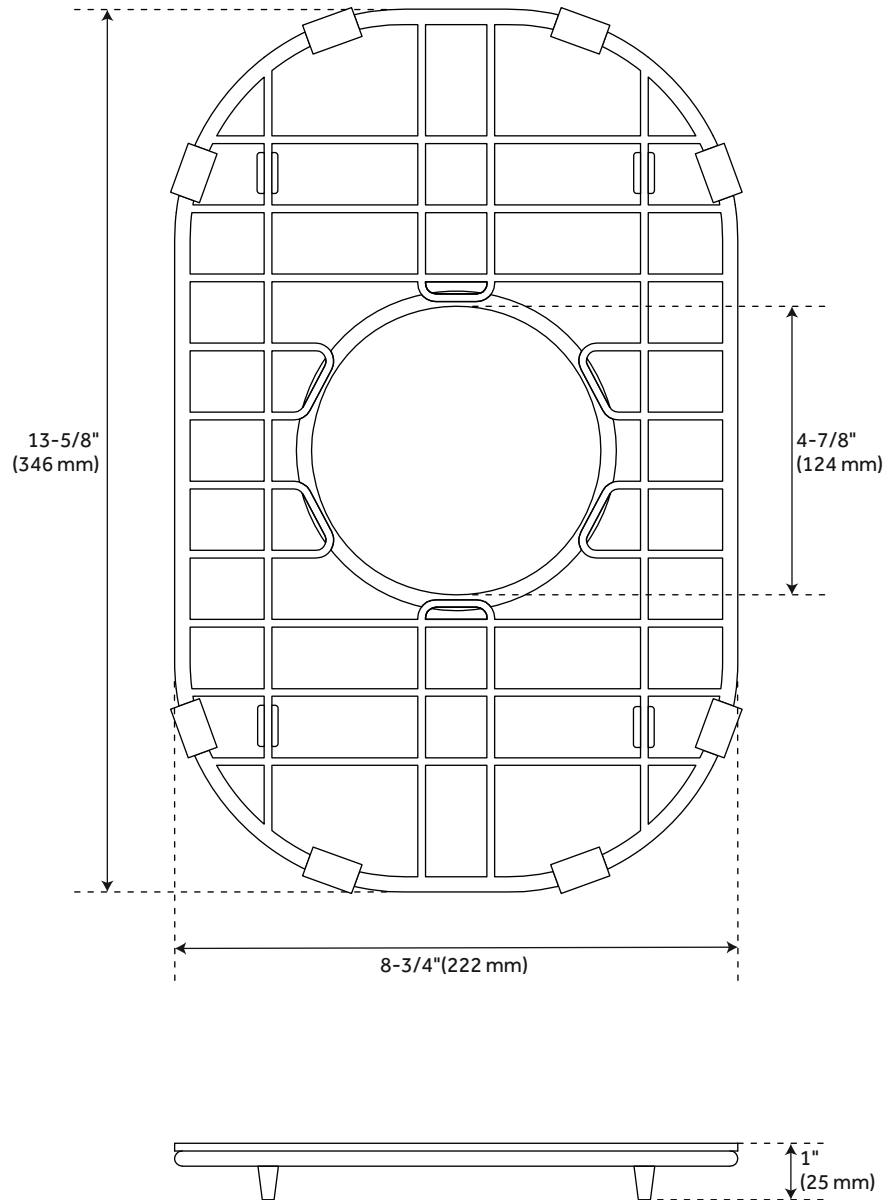


All dimensions and specifications are nominal and may vary. Use actual products for accuracy in critical situations.

OPTIONAL SINK GRID FOR 32" CALVERTON 60/40 DOUBLE-BOWL UNDERMOUNT SINK

SKU: 948567

SHG913



All dimensions and specifications are nominal and may vary. Use actual products for accuracy in critical situations.