

VILAMONTE SINGLE-HOLE BATHROOM FAUCET

SKU: 948583
Code: SHWSCVL107



FEATURES

Material: Metal construction for strength and durability
Installation Type: Single-Hole
Flow Rate: 1.2 gpm (4.5 L/min) @ 60 psi
Cartridge Type: Ceramic Disc
Swivel Spout: No
Drain Type: Metal push-pop with overflow

ASME A112.18.1/CSA B125.1, NSF/ANSI 372, NSF/ANSI 61, NSF/ANSI/CAN 61, NSF/ANSI/CAN 61-9:Q≤1, ICC/ANSI A117.1, CEC Listed, WaterSense by IAPMO, Massachusetts Accepted, LISTED ID: SHWSCVL107*



ADDITIONAL FEATURES

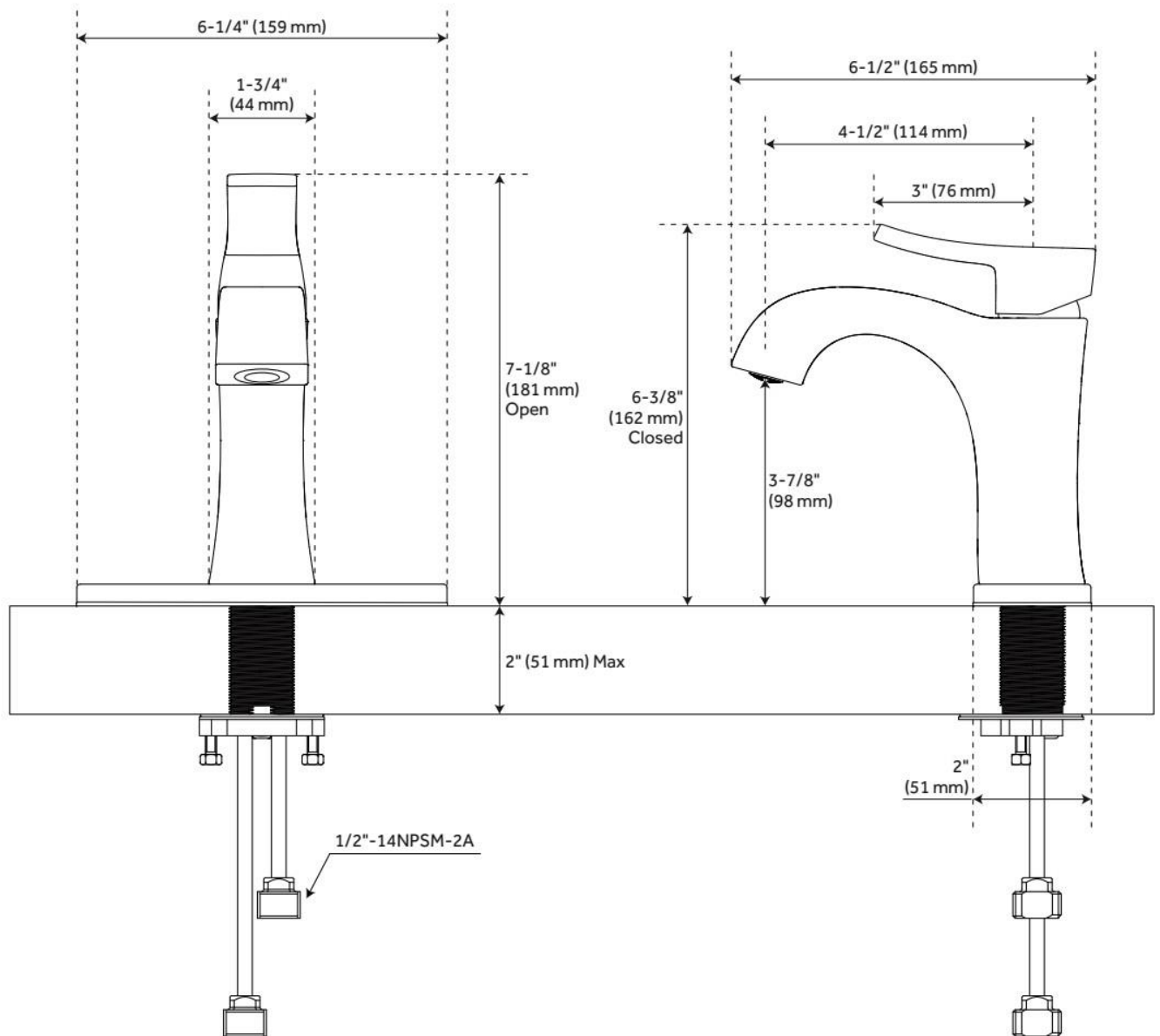
- Drain is only compatible with sinks that have an overflow.
- Included deck plate converts faucet from a single-hole installation to a 4" centerset spread.

REVISED 5/17/2024

VILAMONTE SINGLE-HOLE BATHROOM FAUCET

SKU: 948583

Code: SHWSCVL107

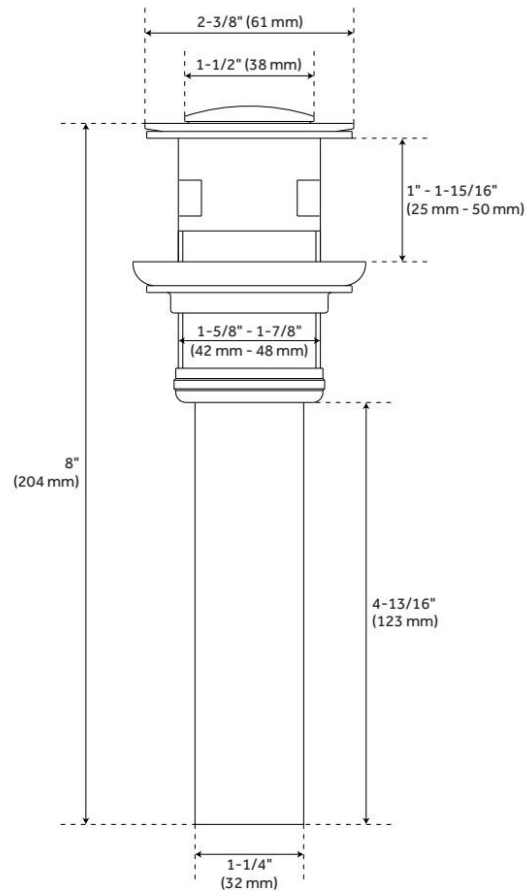


REVISED 5/17/2024

VILAMONTE SINGLE-HOLE BATHROOM FAUCET

SKU: 948583

Code: SHWSCVL107



REVISED 5/17/2024